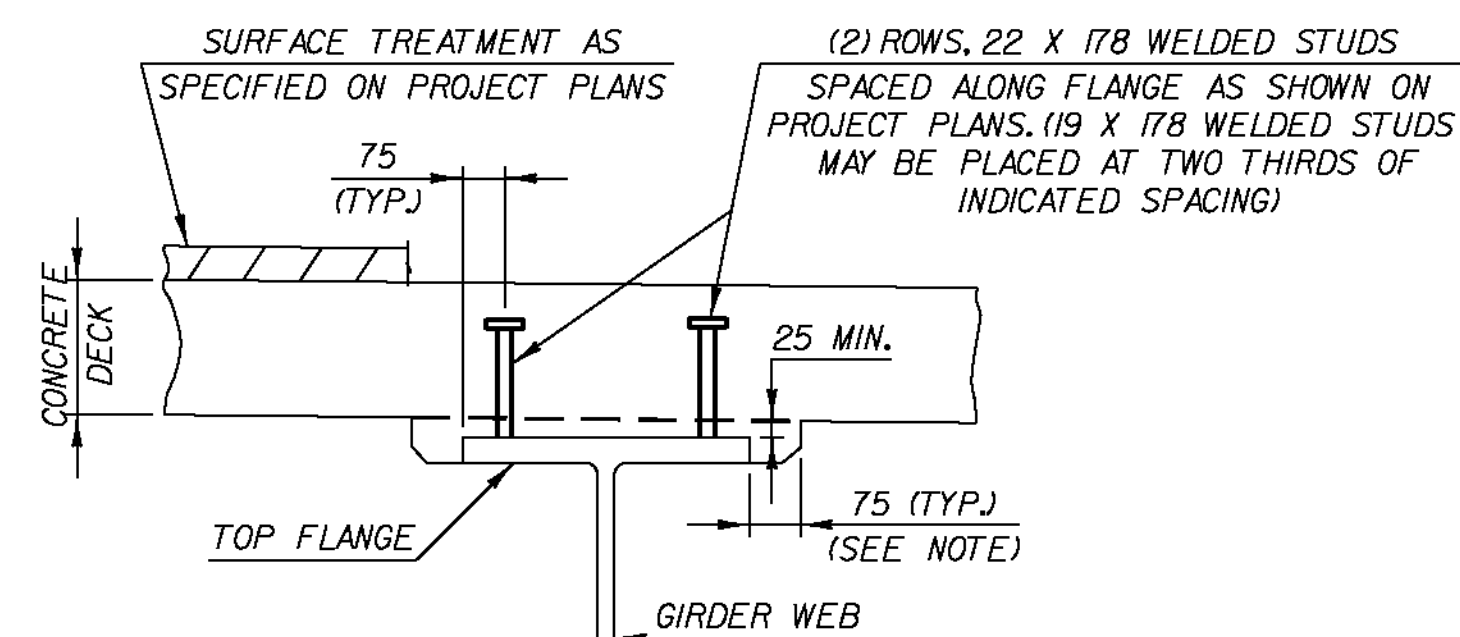


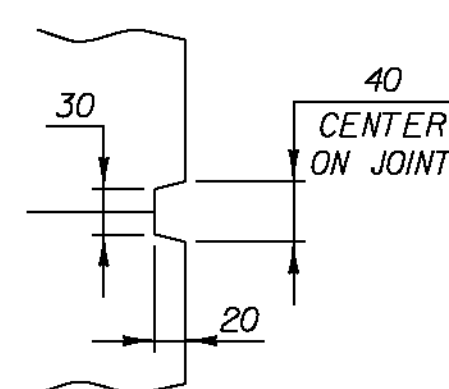
NOTE:
SHEET MEMBRANE WATERPROOFING, TORCH APPLIED SHALL EXTEND TO FACE OF CURB.

CURB AND RAILING DETAIL
SCALE: 1:10

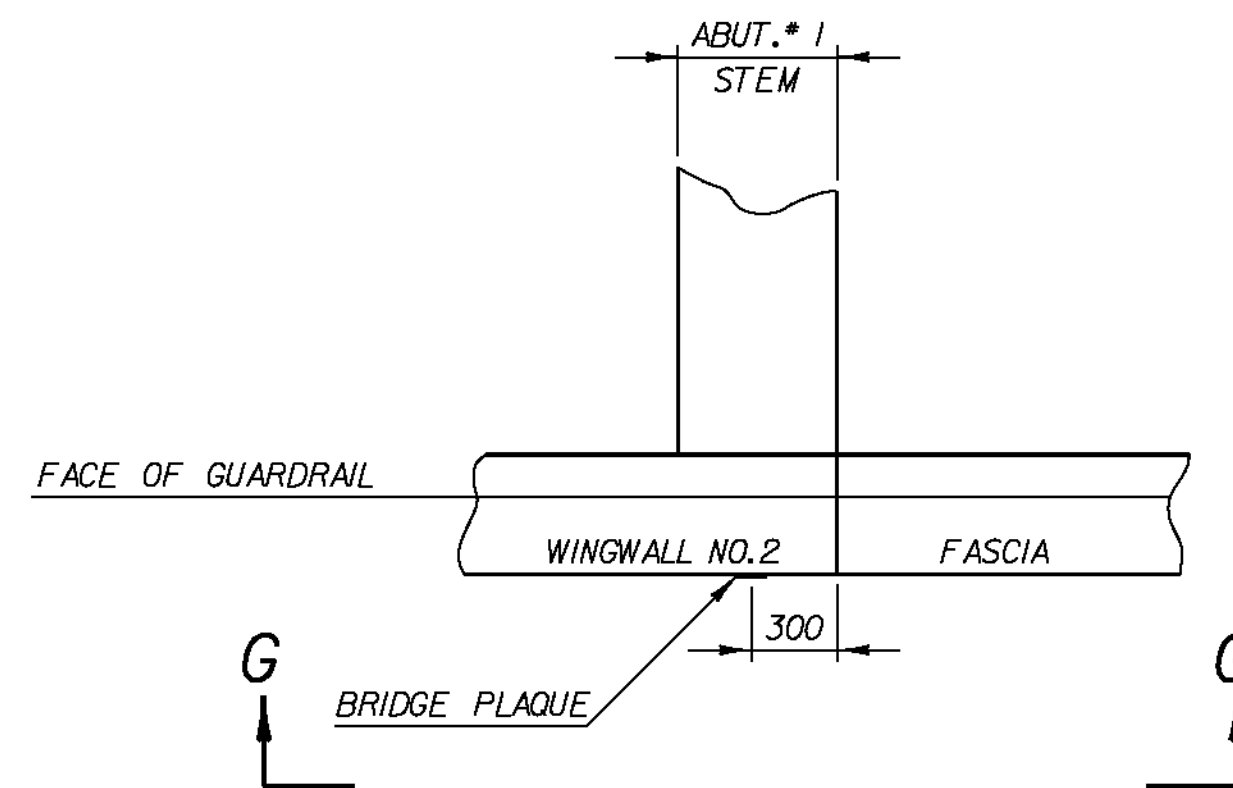


NOTE:
THE 75 HORIZONTAL SECTION MAY BE ELIMINATED FOR FORMING SYSTEMS DESIGNED FOR THE CONSTRUCTION OF VERTICAL HAUNCHES. ANY VOIDS RESULTING FROM FORMING SYSTEM ELEMENTS SHALL BE FILLED WITH JOINT SEALER, POLYURETHANE MEETING THE REQUIREMENTS OF SECTION 524. THE COST OF THE JOINT SEALER, POLYURETHANE SHALL BE INCIDENTAL TO THE ADJACENT CONCRETE.

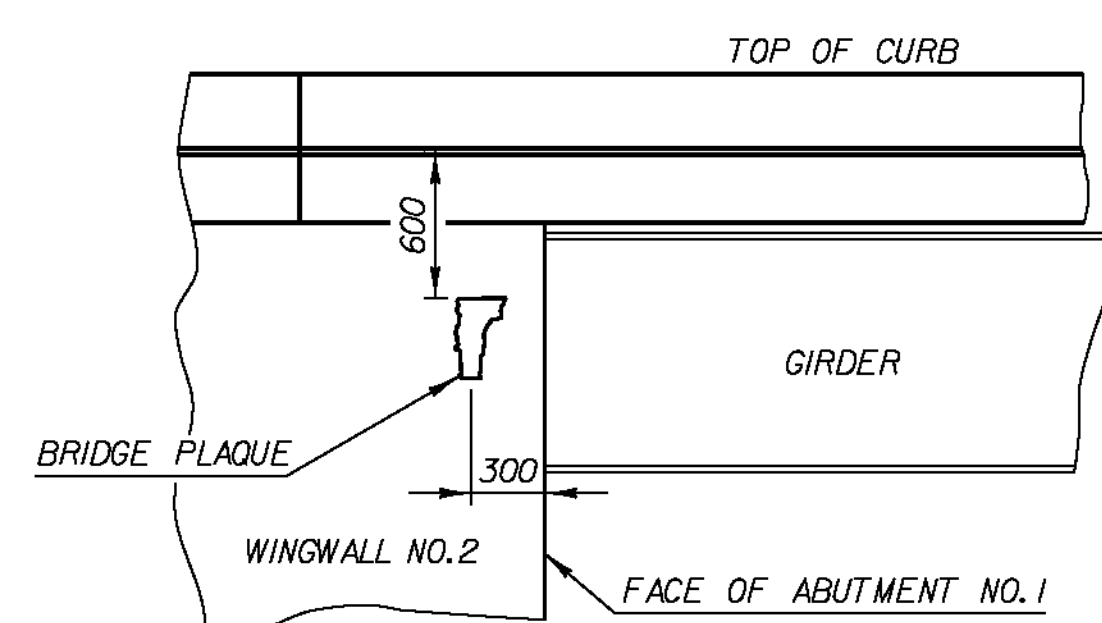
HAUNCH AND SHEAR CONNECTOR DETAIL
NTS



SCORE MARK DETAIL
SCALE: 1:5



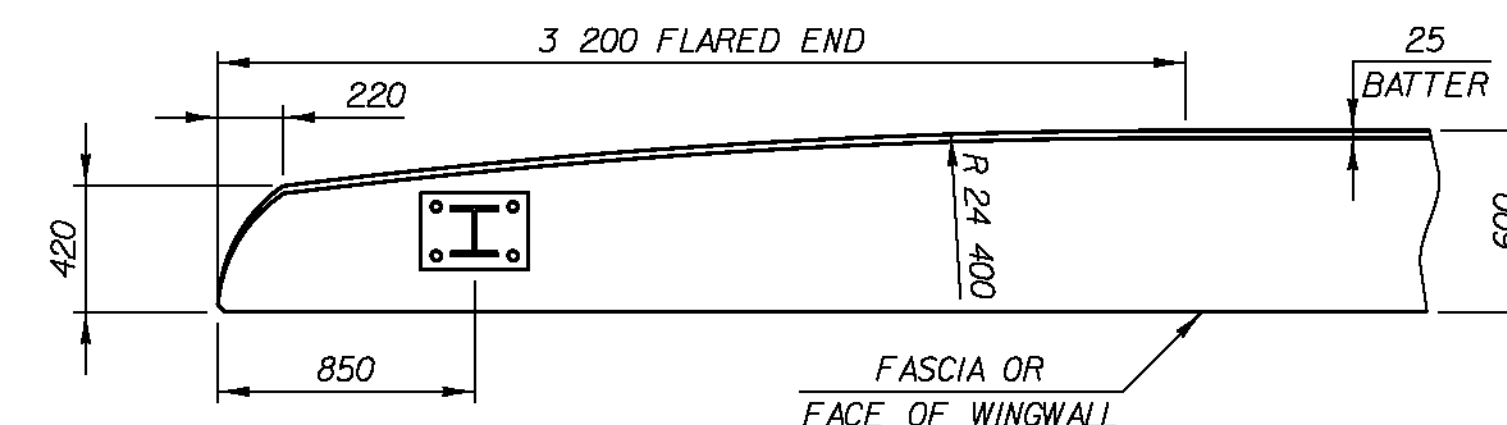
PLAN
NTS



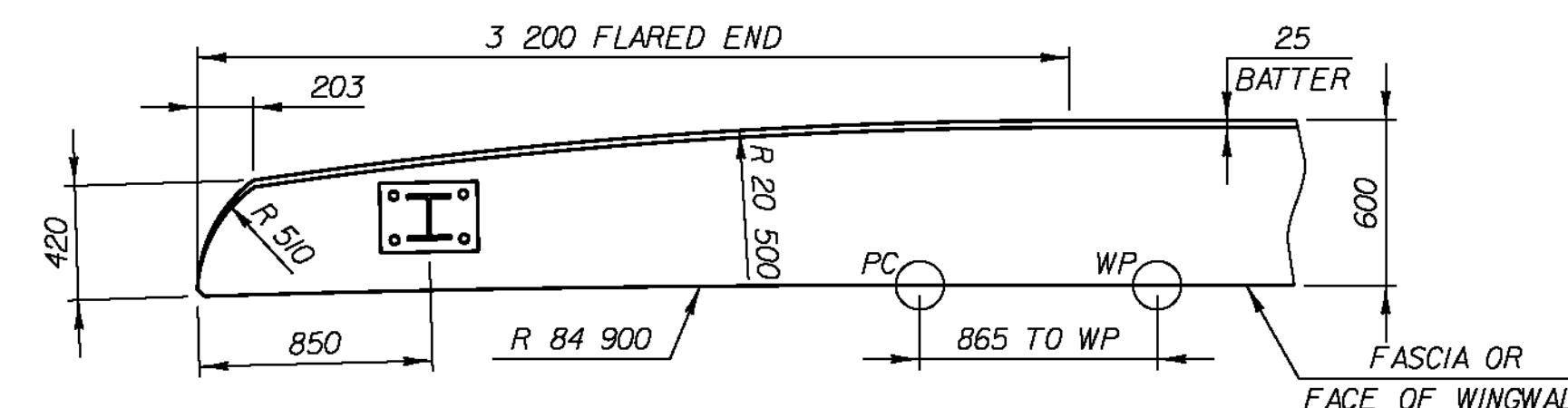
SECTION G-G
NTS

LOCATE BRIDGE PLAQUE

THE BRIDGE PLAQUE WILL BE SUPPLIED BY THE AGENCY OF TRANSPORTATION AND SHALL BE INSTALLED BY THE CONTRACTOR AT ABUTMENT NO.1 ON THE RIGHT SIDE AS SHOWN OR AS DIRECTED BY THE ENGINEER.

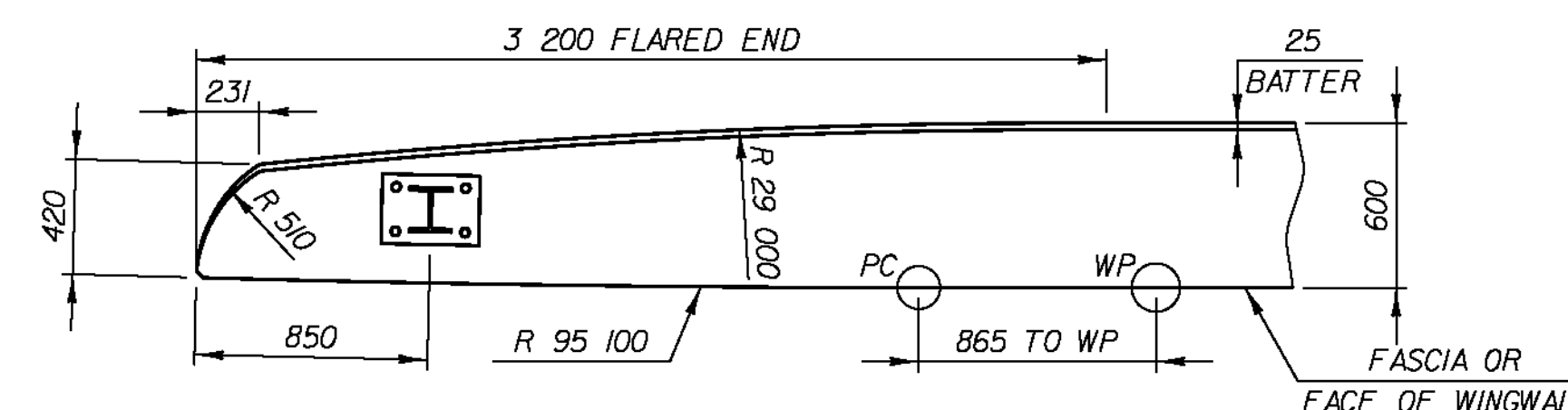


WINGWALL NO.1 AND 2
NTS



BARS SHALL BE TURNED AS REQUIRED TO FIT FLARED ENDS.

WINGWALL NO.3
NTS



BARS SHALL BE TURNED AS REQUIRED TO FIT FLARED ENDS.

WINGWALL NO.4
NTS
FLARED END FOR 600 CURB

DATUM	
VERTICAL	NAVD88
HORIZONTAL	NAD83(92)

PROJECT NAME:	CORNWALL	FILE NAME:	z85e042brdde+.dgn	PLOT DATE:	2/5/2010
PROJECT NUMBER:	BRS 0172(6)	PROJECT LEADER:	MARTHA EVANS-MONGEON	DRAWN BY:	D. RITACCO
		DESIGNED BY:	M. CRUZ	CHECKED BY:	M. CRUZ
		CONCRETE DETAILS		SHEET	101 OF 144