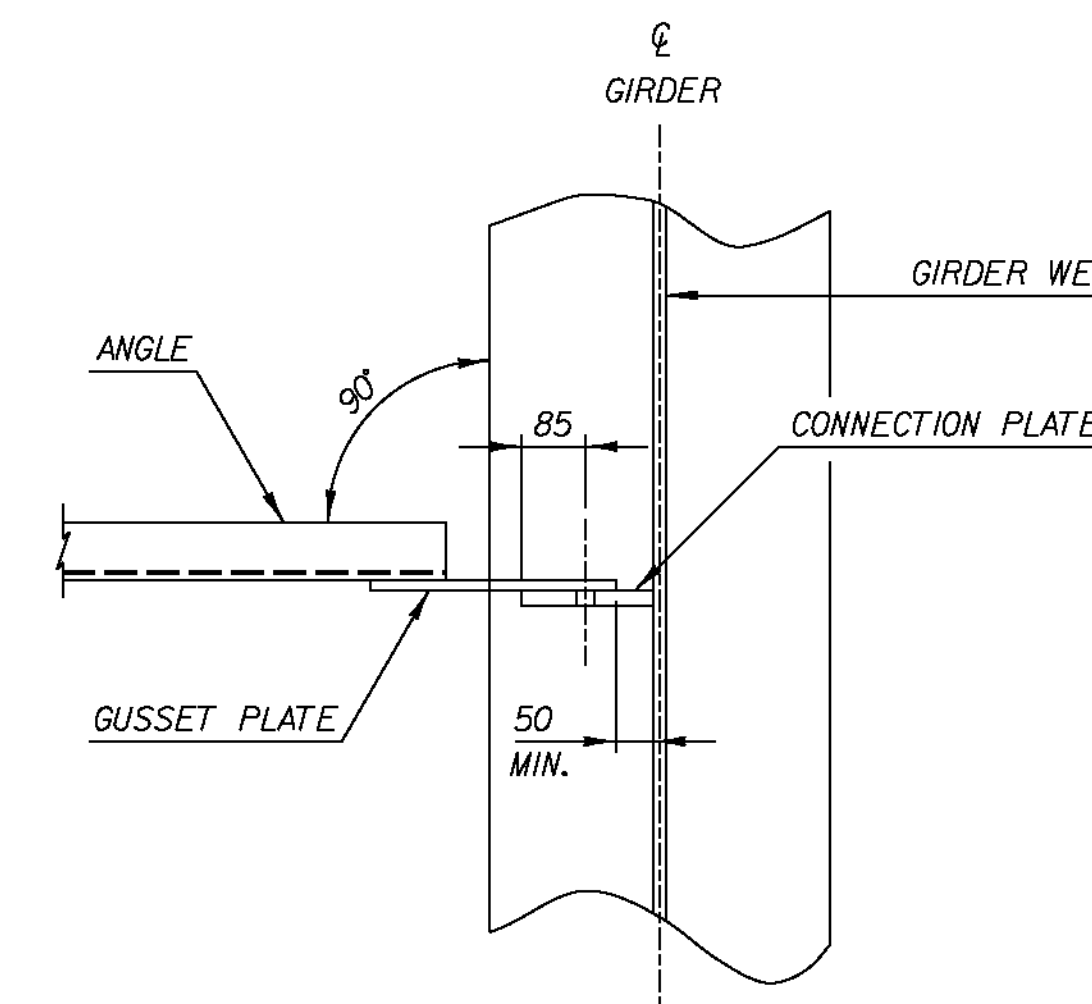


**NOTE:**  
THE FABRICATOR MAY ALTER THE SHAPE OF THE GUSSET PLATES AS SEEN FIT WHILE MAINTAINING THE BOLT HOLE LOCATIONS.

**INTERMEDIATE & END CROSSFRAME**

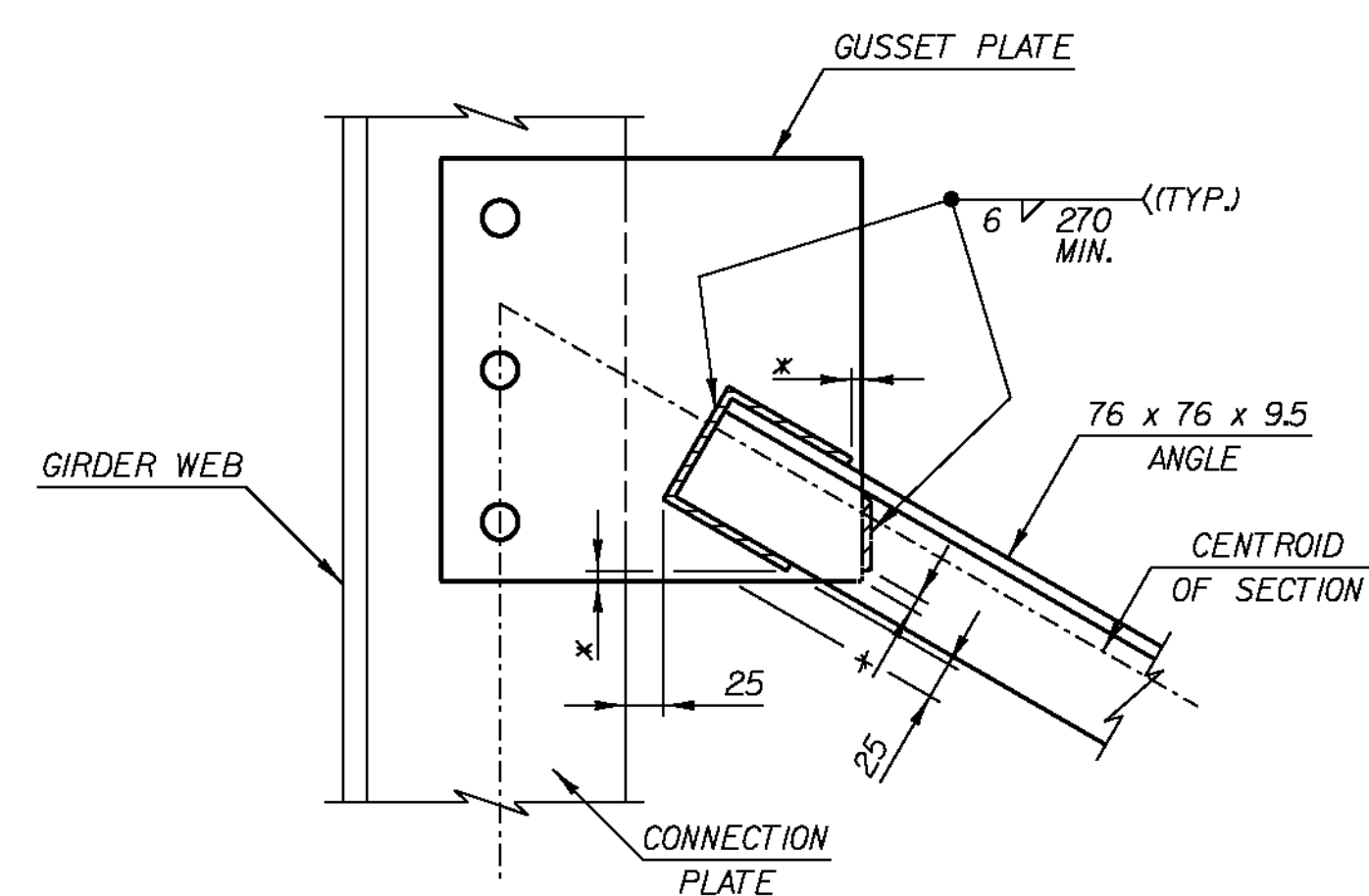
SCALE: 1:10



**NOTE:**  
1. ALL CONNECTIONS SHALL BE MADE USING 22 DIA. AASHTO M 164M BOLTS.  
2. ALL HOLES IN THE DIAPHRAGMS SHALL BE 24 DIA.  
3. ALL HOLES IN THE CONNECTION PLATES SHALL BE 25 DIA.

**SECTION B-B**

SCALE: 1:10



X - NO WELD FOR 6 MIN., 13 MAX.

**GUSSET PLATE AND WELD DETAIL FOR CROSSFRAME**

SCALE: 1:5

<b>DATUM</b>	
VERTICAL	NAVD88
HORIZONTAL	NAD83(92)

PROJECT NAME:	CORNWALL	FILE NAME:	z85e042brddet.dgn	PLOT DATE:	2/5/2010
PROJECT NUMBER:	BRS 0172(6)	PROJECT LEADER:	MARTHA EVANS-MONGEON	DRAWN BY:	D. RITACCO
		DESIGNED BY:	M. CRUZ	CHECKED BY:	M. CRUZ
		STRUCTURAL STEEL DETAILS		SHEET	97 OF 144