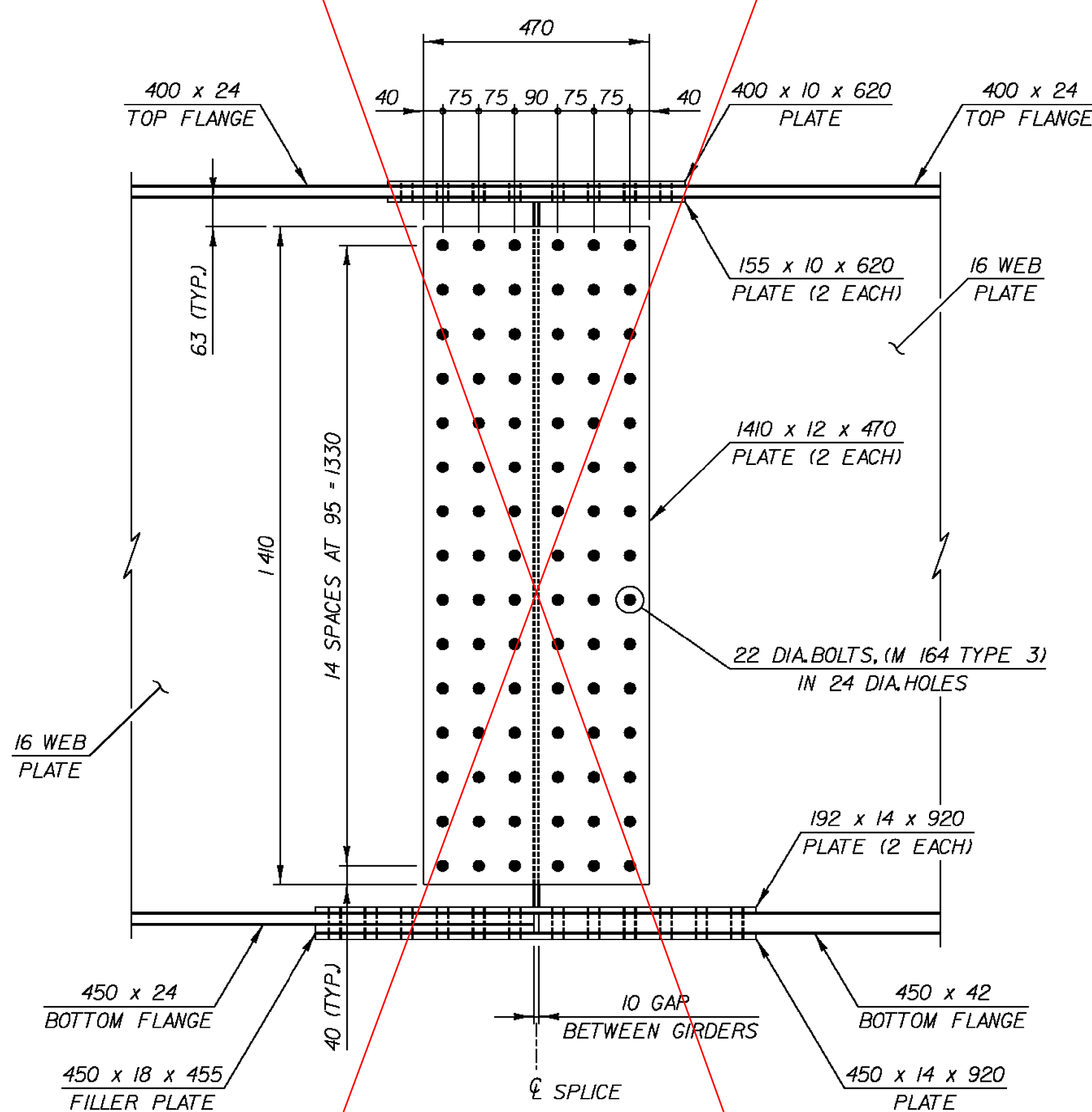
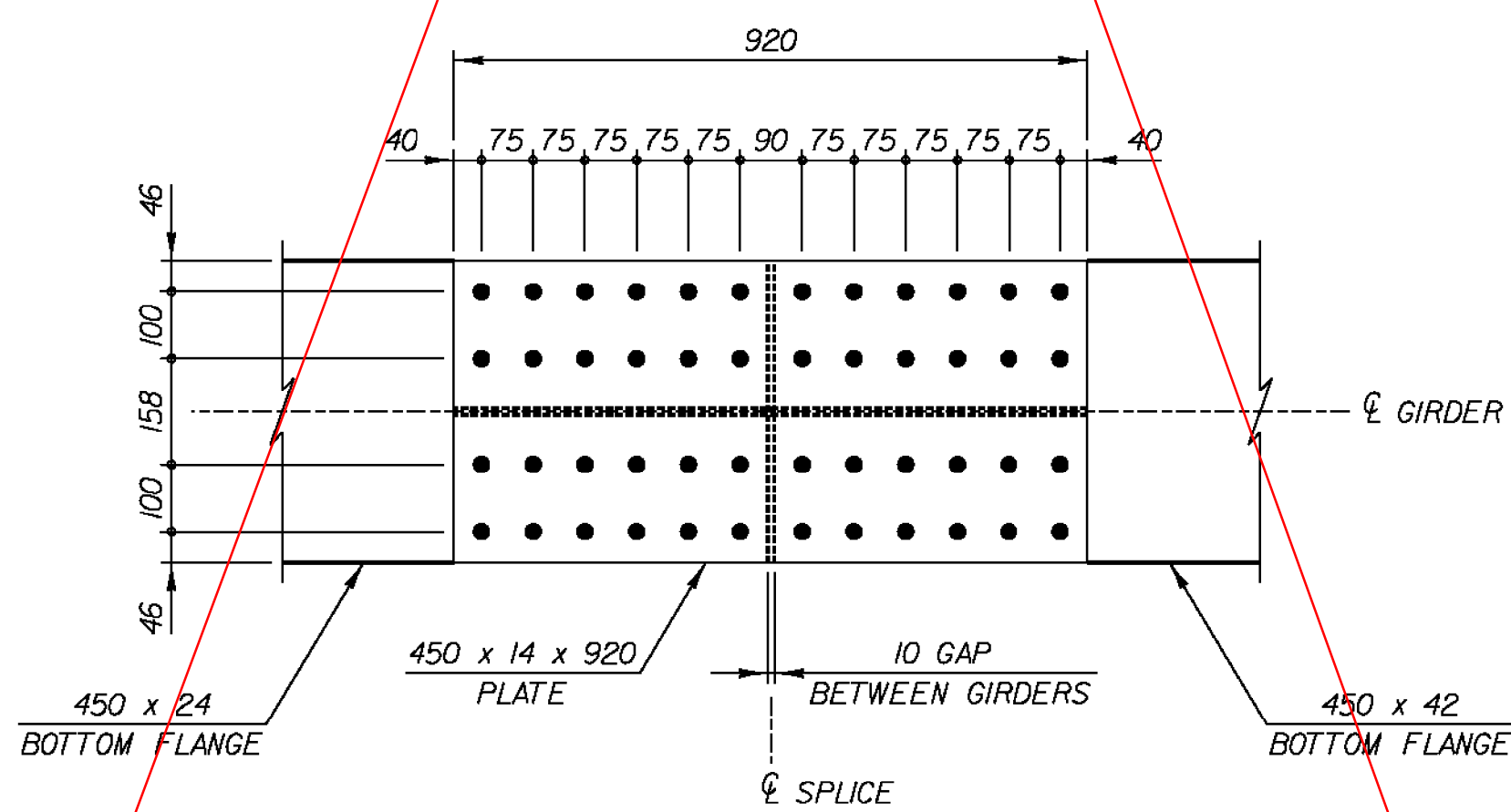


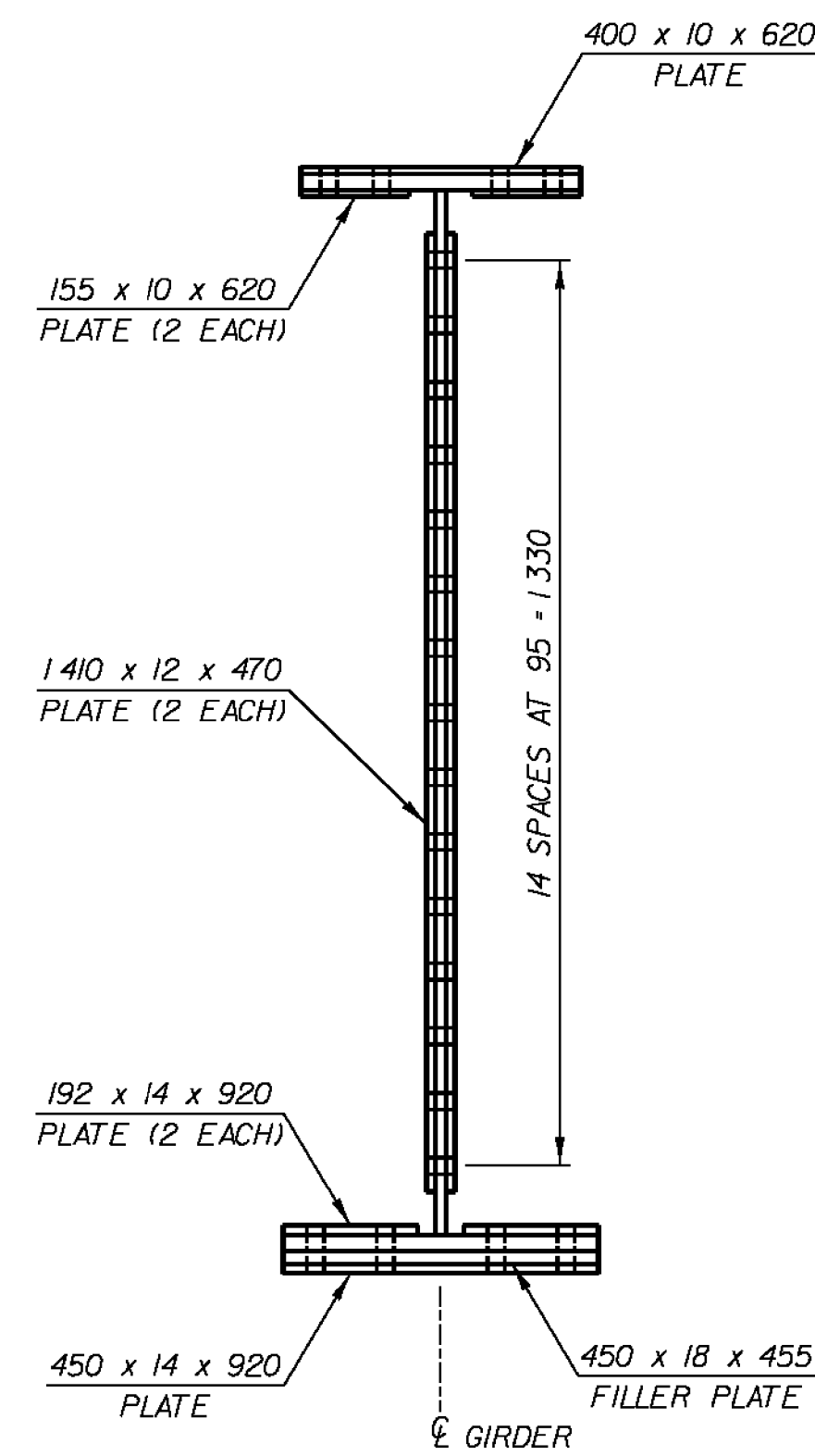
**TOP FLANGE PLAN**



**WEB ELEVATION**



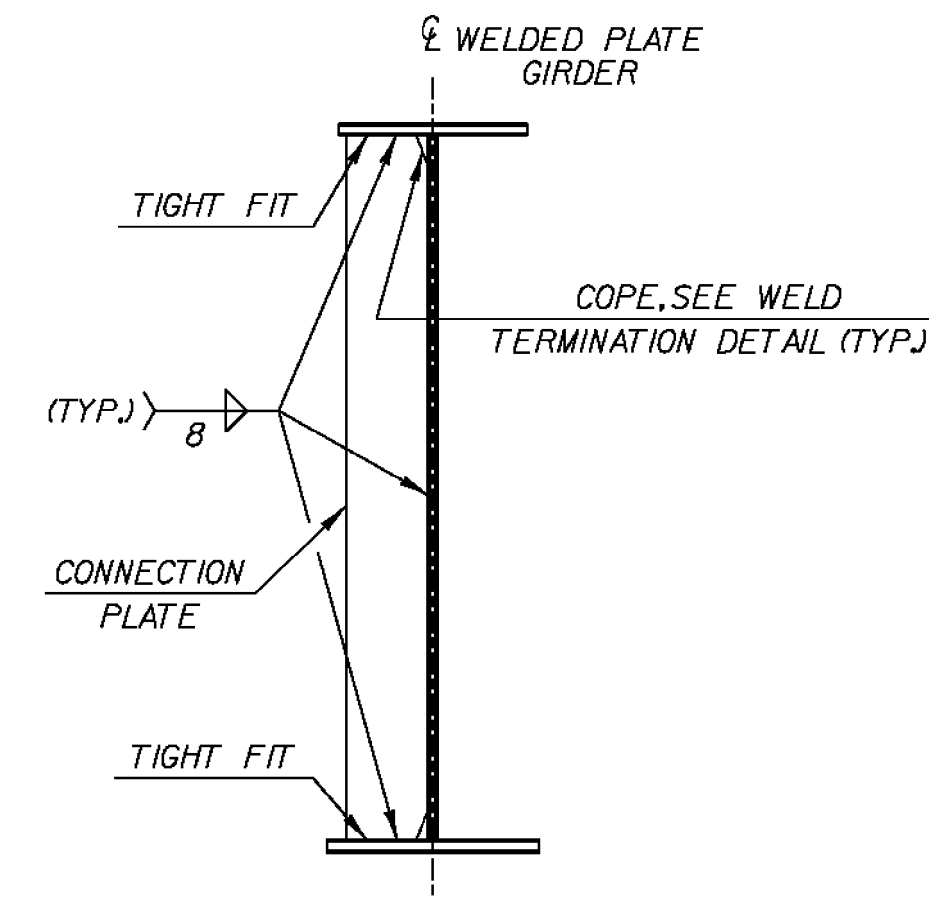
**BOTTOM FLANGE PLAN**



**GIRDER SECTION**

**FIELD SPLICE DETAILS**

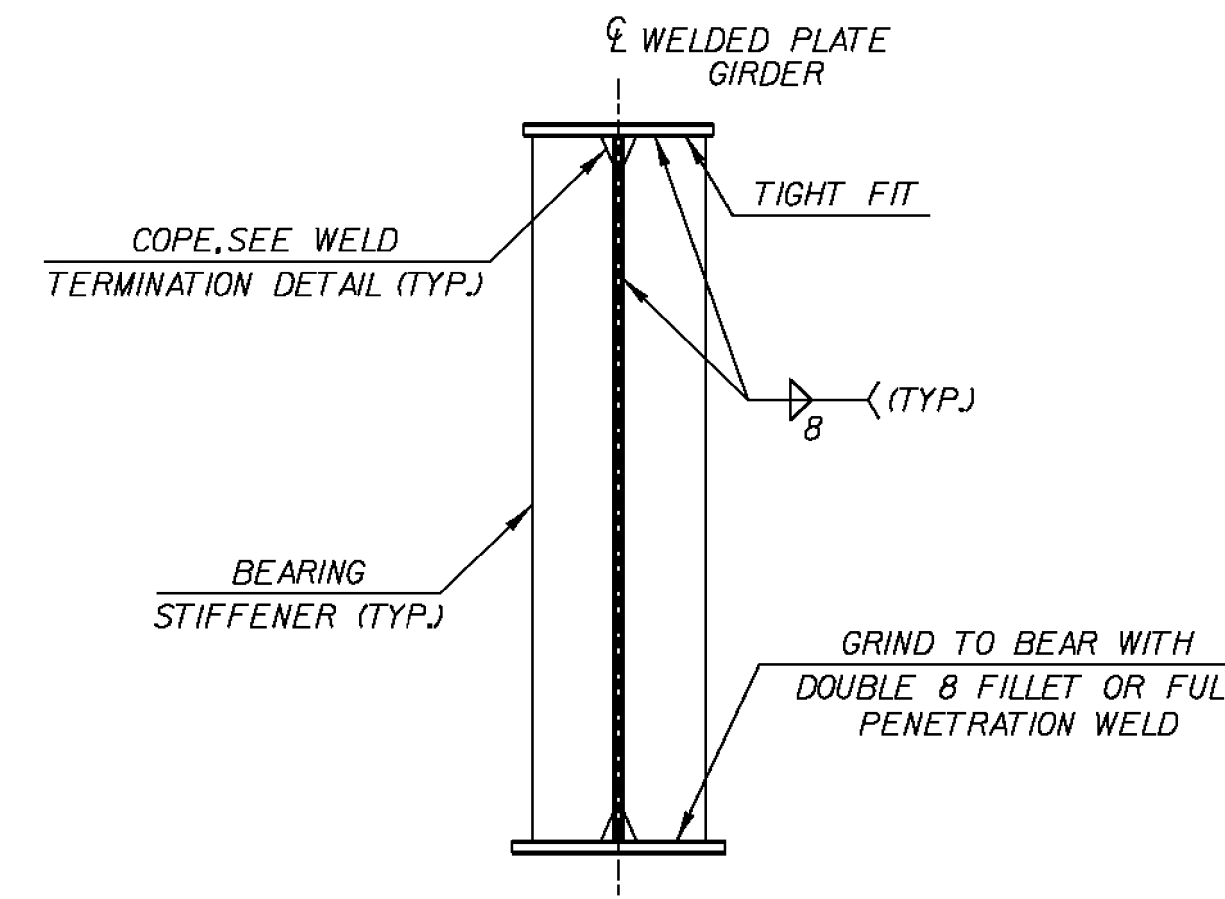
SCALE: 1:10



INTERMEDIATE CONNECTION PLATE SHALL BE INSTALLED PERPENDICULAR TO GIRDER WEB.

**INTERMEDIATE CONNECTION PLATES FOR PLATE GIRDERS**

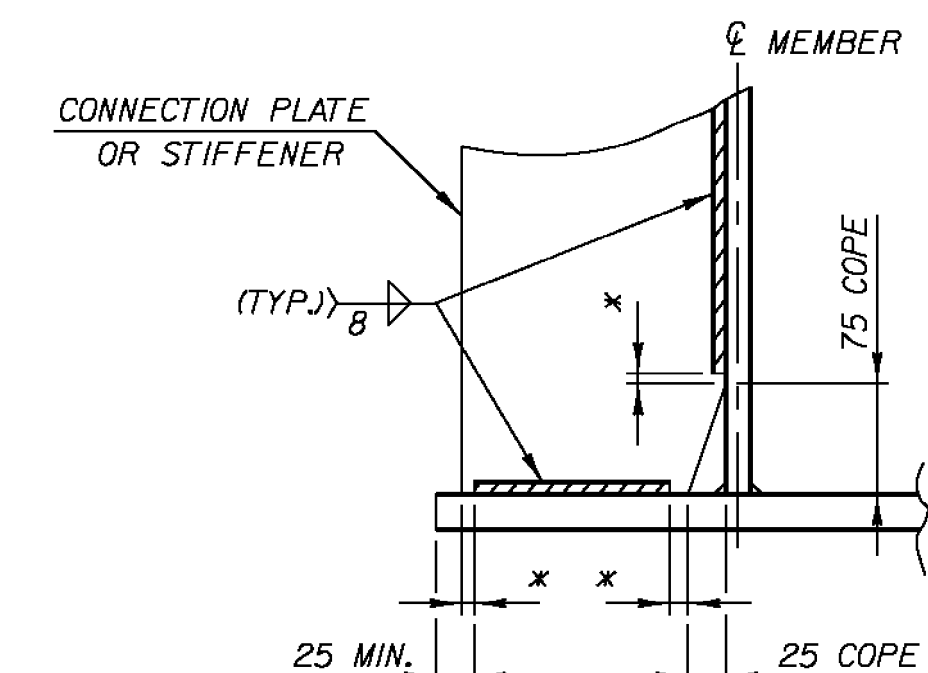
NTS



BEARING STIFFENERS SHALL BE INSTALLED PERPENDICULAR TO GIRDER WEB.

**ABUTMENT BEARING STIFFENERS PLATES FOR PLATE GIRDERS**

NTS



\* = NO WELD FOR 10 MIN., 22 MAX. (EXCEPT MUST MAINTAIN 25 MINIMUM FROM EDGE OF FLANGE)

**WELD TERMINATION AND COPING DETAIL FOR STEEL MEMBERS**

SCALE: 1:5

DATUM	
VERTICAL	NAVD88
HORIZONTAL	NAD83(92)

PROJECT NAME:	CORNWALL	PLOT DATE:	2/5/2010
PROJECT NUMBER:	BRS 0172(6)	DRAWN BY:	P. GREENBERG
FILE NAME:	z85e042brddet.dgn	CHECKED BY:	M. CRUZ
PROJECT LEADER:	MARTHA EVANS-MONGEON	GIRDER DETAILS	SHEET 96 OF 144
DESIGNED BY:	M. CRUZ		