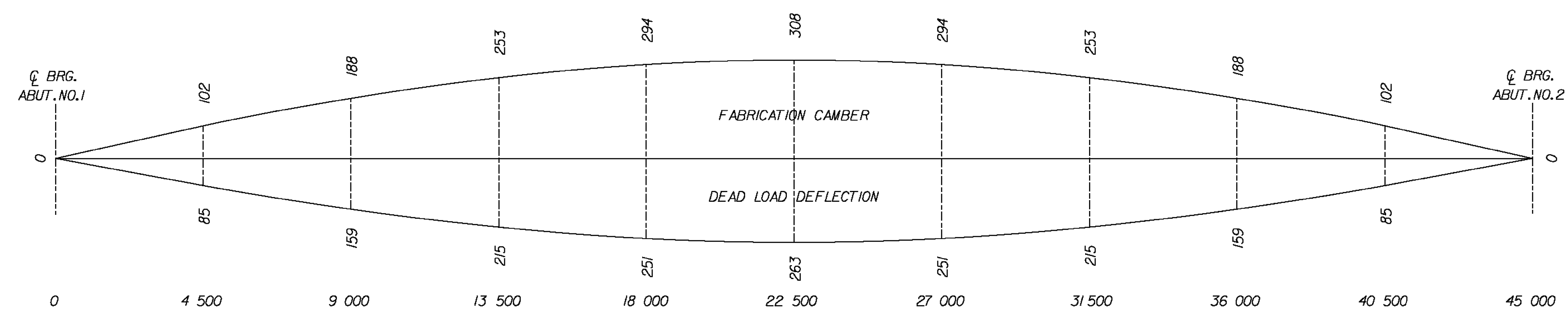
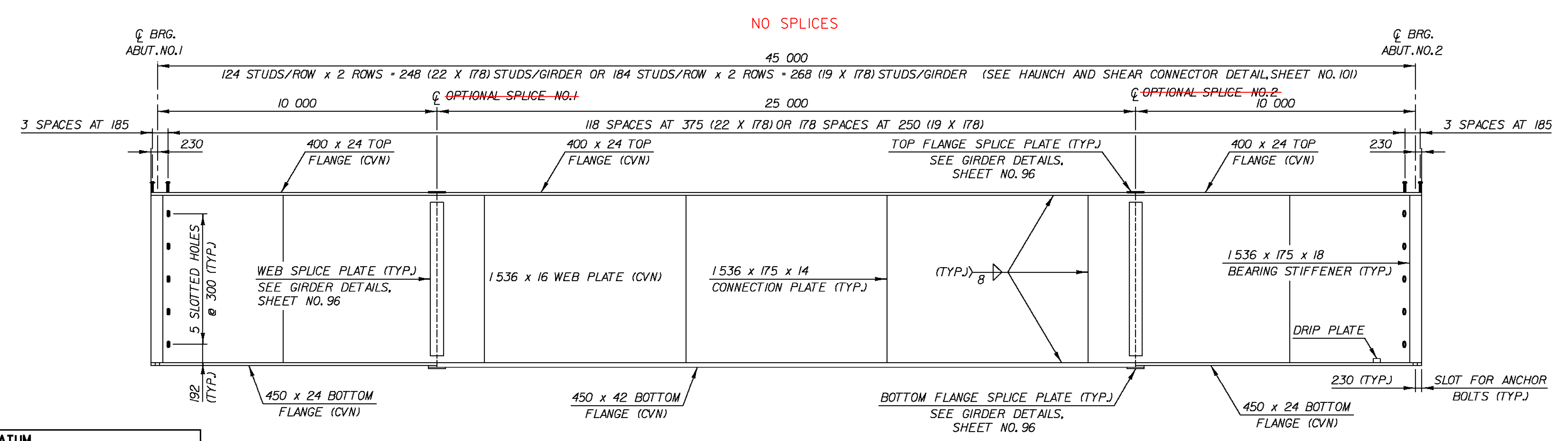
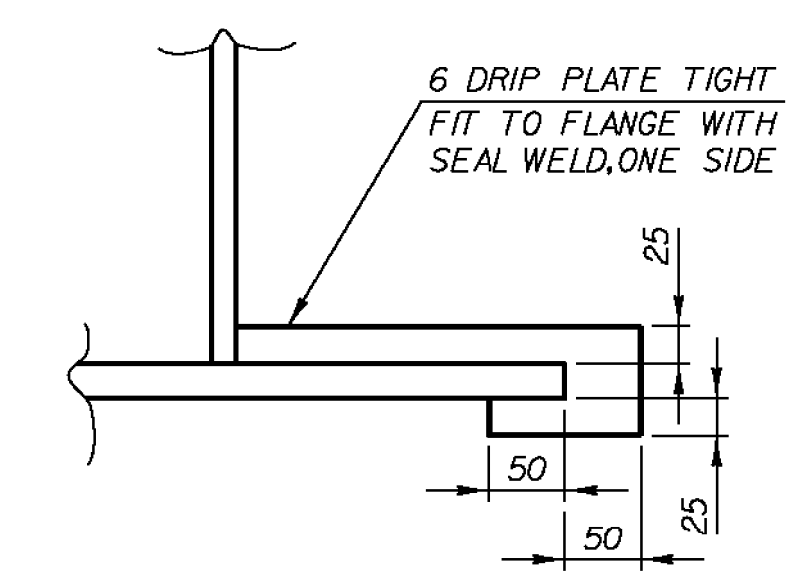


NOTE: DRIP PLATES SHALL BE PLACED ON OUTSIDE EDGE OF FASCIA GIRDERS ON THE HIGH SIDE OF ALL PIERS AND ABUTMENTS OR AS INDICATED ON PROJECT PLANS.



DEAD LOAD DEFLECTIONS INCLUDES GIRDER, DECK, AND ALL SUPERIMPOSED DEAD LOADS. FINAL RESIDUAL CAMBER = 45 MM AT MIDSPAN



NOTE: ALL MEMBERS OR PLATES MARKED (CVN) MUST MEET THE CHARPY V-NOTCH REQUIREMENTS FOR MAIN MEMBERS AS INDICATED IN SECTION 714.

DATUM

VERTICAL	NAVDB8
HORIZONTAL	NADB3(92)

PROJECT NAME:	CORNWALL	FILE NAME:	z85e042brddet.dgn	PLOT DATE:	2/12/2010
PROJECT NUMBER:	BRS 0172(6)	PROJECT LEADER:	MARTHA EVANS-MONGEON	DRAWN BY:	D. RITACCO
		DESIGNED BY:	M. CRUZ	CHECKED BY:	M. CRUZ
		FRAMING PLAN AND GIRDER ELEVATION		SHEET 95	OF 144