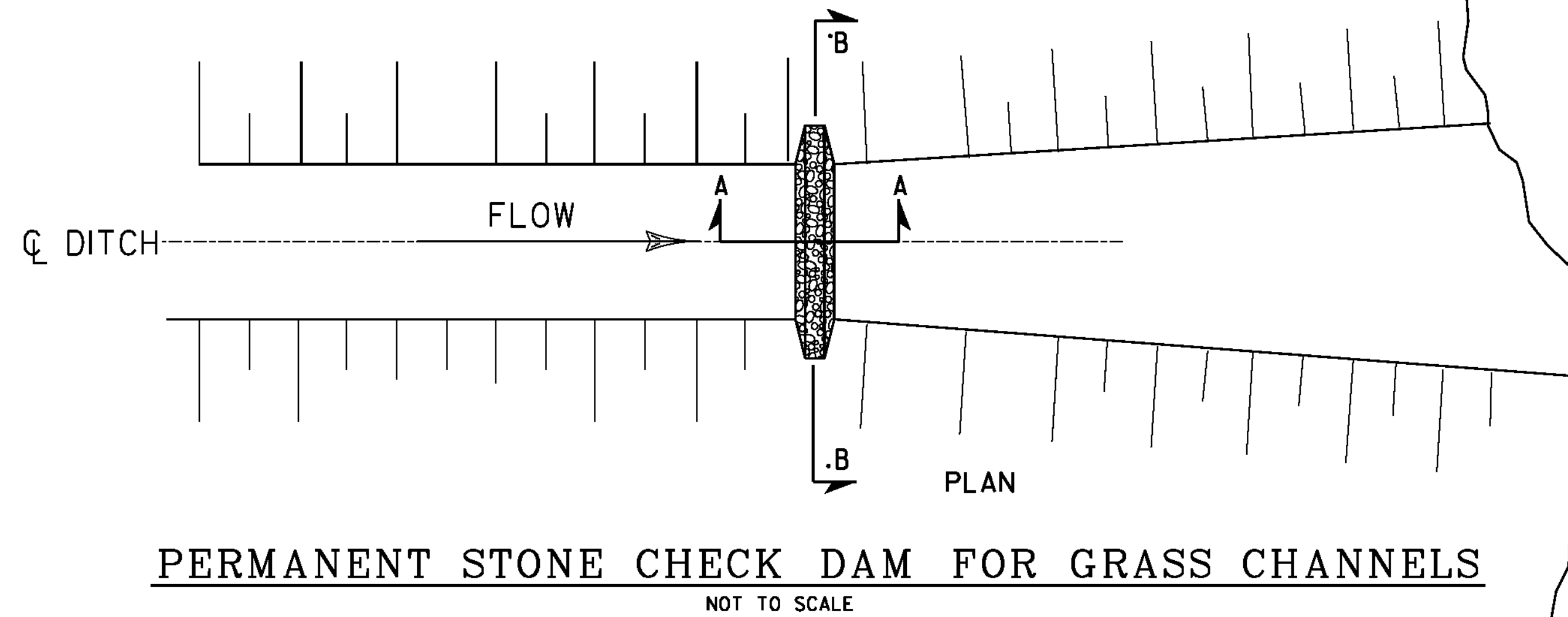
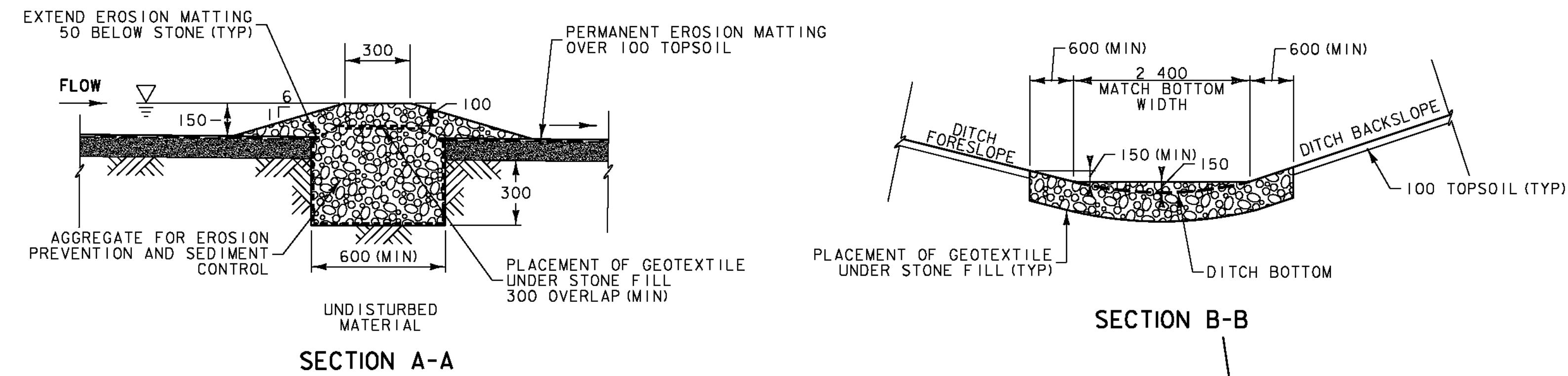


TYPICAL DETAILS

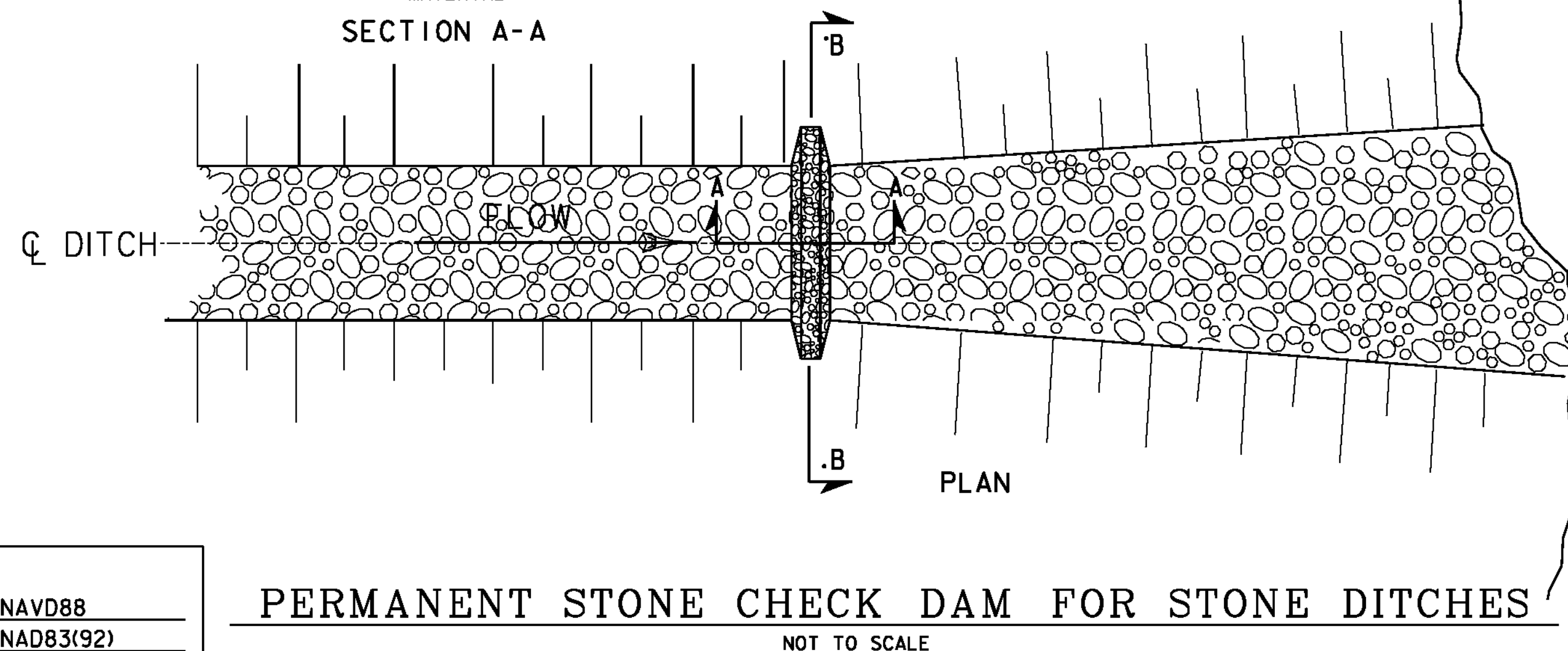
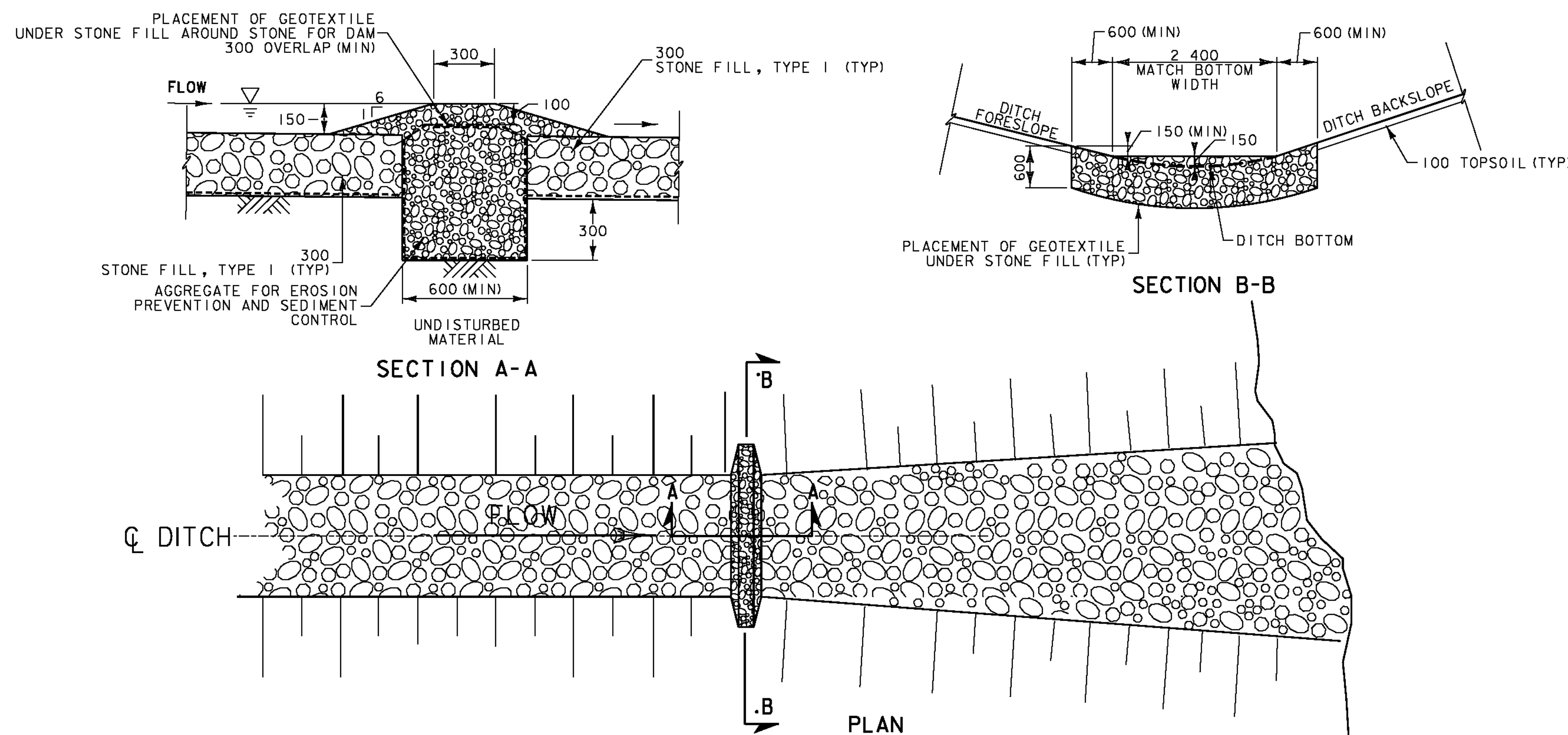


APPLICATION NOTES:

A. THESE CHECK DAMS ARE REQUIRED AS PART OF THE EROSION CONTROL AND PERMANENT STORMWATER MITIGATION REQUIREMENTS FOR THIS PROJECT.

GENERAL NOTES:

1. GEOTEXTILE UNDER STONE FILL SHALL BE INSTALLED AS INDICATED IN THE DETAILS. IT SHALL BE PLACED DIRECTLY IN THE BOTTOM OF THE PREPARED TRENCH AND WRAPPED AROUND THE AGGREGATE FOR EROSION PREVENTION AND SEDIMENT CONTROL AS SHOWN. PLACE AGGREGATE FOR EROSION PREVENTION AND SEDIMENT CONTROL OVER THE FABRIC AS SHOWN IN THE DETAILS TO CONCEAL THE FABRIC.
2. STONE FOR THE CHECK DAMS SHALL MEET THE GRADATION REQUIREMENTS OF AGGREGATE FOR EROSION PREVENTION AND SEDIMENT CONTROL AS SPECIFIED IN TABLE 704.17A IN THE STANDARD SPECIFICATIONS. PAYMENT FOR STONE SHALL BE MADE UNDER ITEM 900.608 SPECIAL PROVISION (PERMANENT STONE CHECK DAM, TYPE 1).
3. PAYMENT FOR EXCAVATION BELOW THE BOTTOM OF TOPSOIL (FOR GRASS CHANNELS) OR STONE FILL, TYPE 1 (STONE LINED DITCHES) REQUIRED TO CONSTRUCT THE CHECKDAM SHALL BE MADE UNDER TRENCH EXCAVATION OF EARTH. EXCAVATION ABOVE THE BOTTOM OF TOPSOIL SHALL BE PAID UNDER COMMON EXCAVATION.
4. THE EROSION MATTING FOR THE GRASS CHANNEL SHALL EXTEND BELOW THE STONE AND BE ANCHORED BY THE WEIGHT OF THE STONE AS SHOWN IN THE DETAIL.
5. REFER TO THE EROSION CONTROL NARRATIVE FOR INSPECTION AND MAINTENANCE REQUIREMENTS.



DATUM	
VERTICAL	NAVD88
HORIZONTAL	NAD83(92)

PROJECT: CORNWALL	PROJECT NO. : BRS 0172(6)
DESIGN FILE NAME: z85e042typxs.DGN	PLOT DATE: 2/4/2010
IPARM FILE NAME:	SURVEY DATE: 1996&1999
SURVEYED BY: VTRANS & VT SURVEY	DRAWN BY: E. ATKINS
SQUAD LEADER: MARTHA EVANS-MONGEON	SHEET: 8 OF 144
TYPICAL DETAILS SHEET 3	