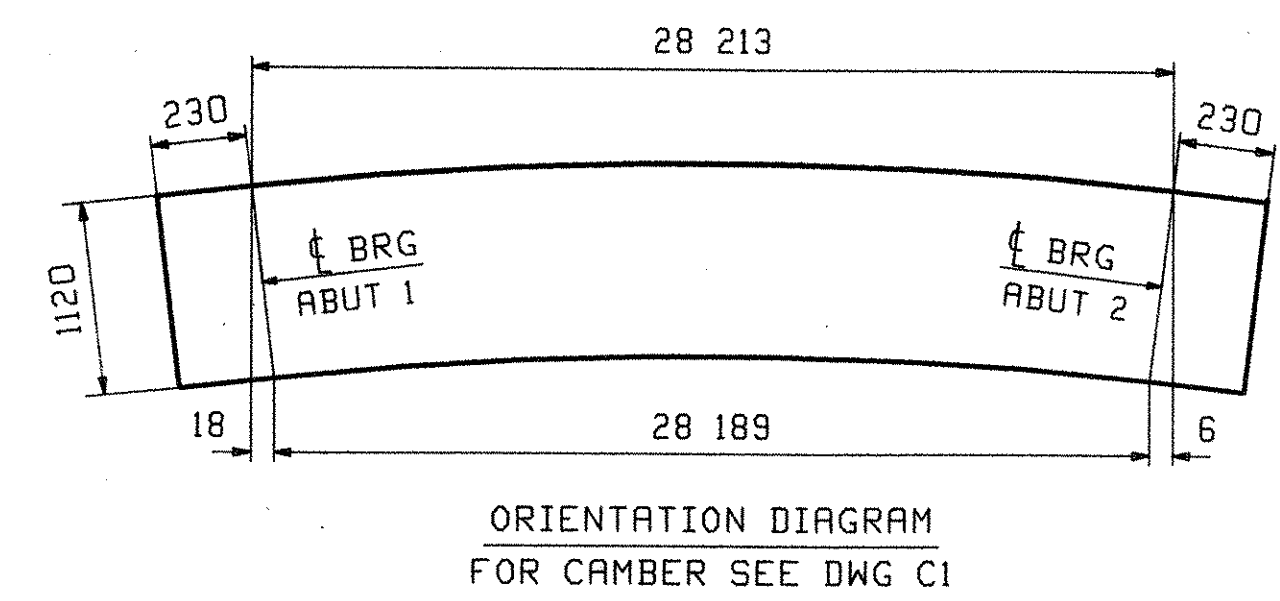
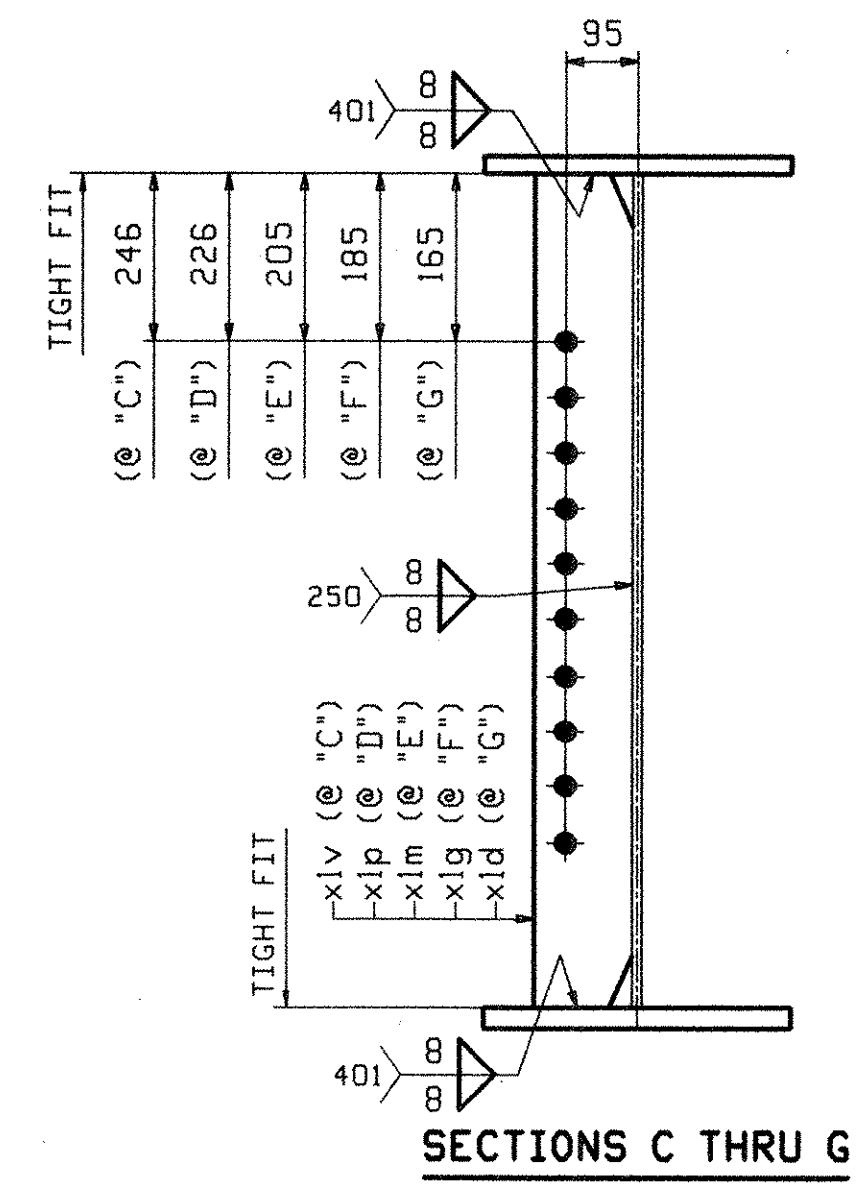
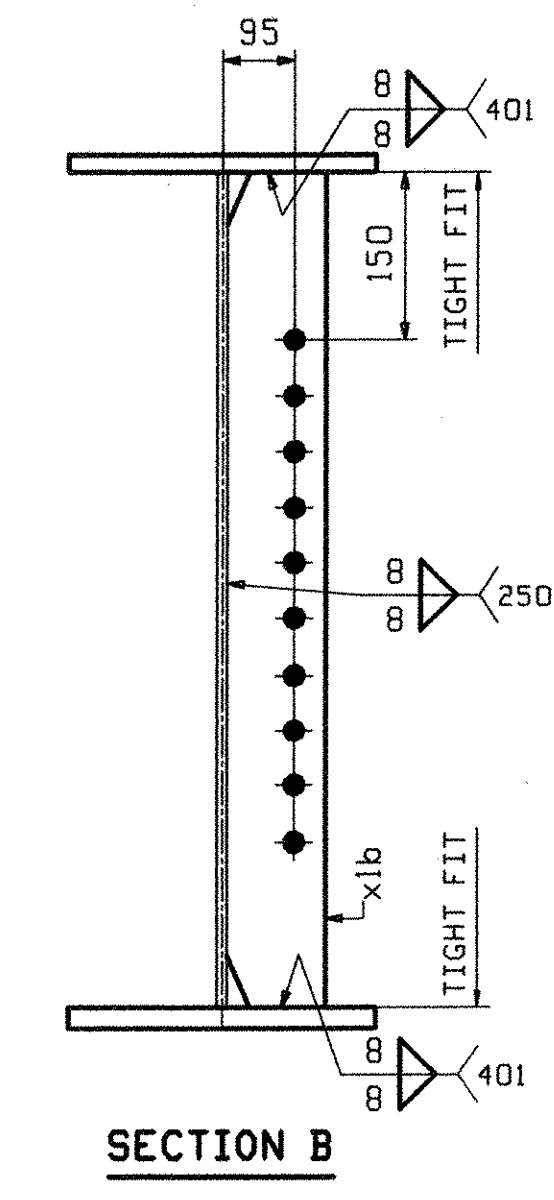
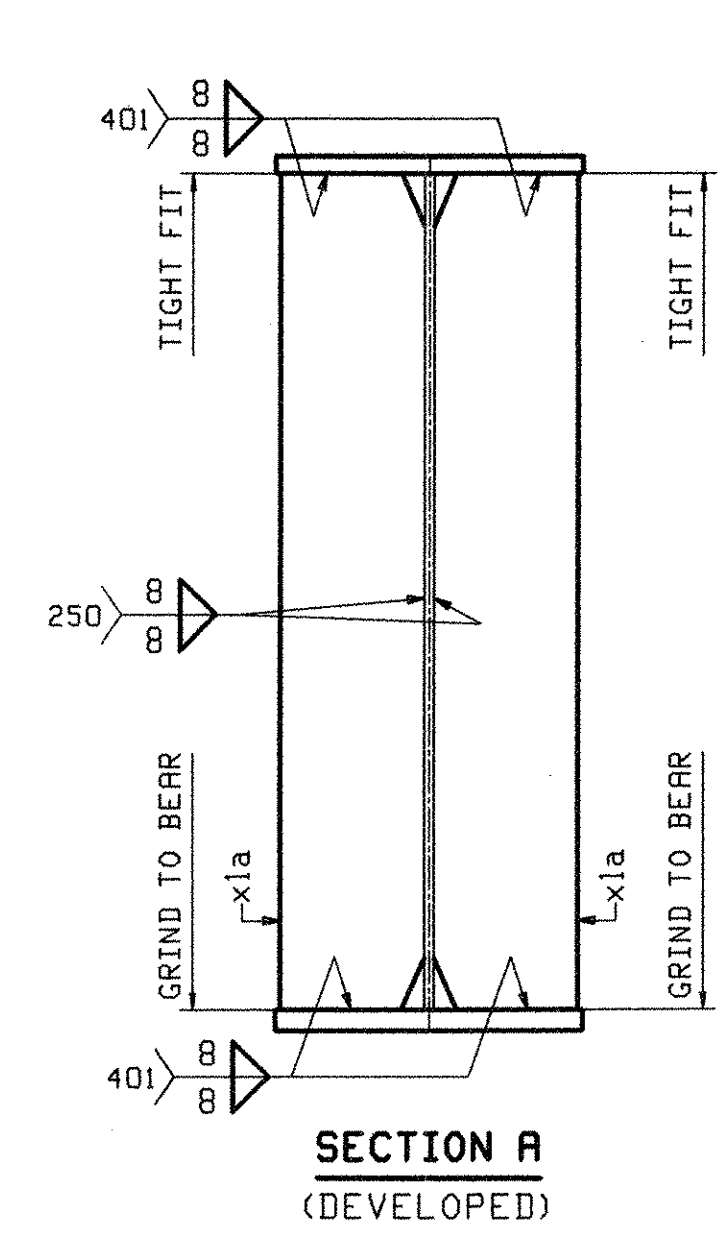
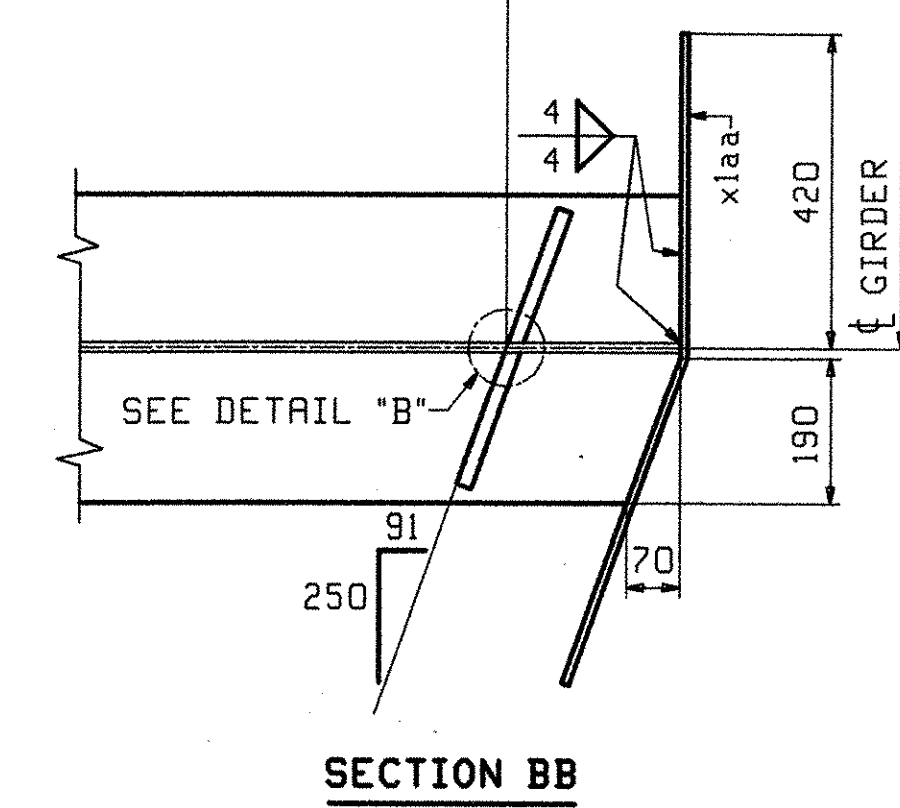
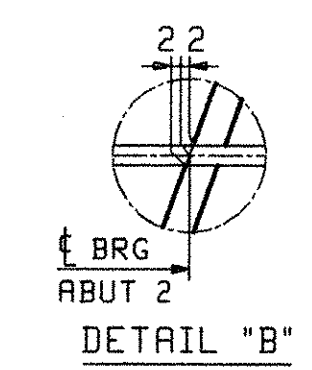
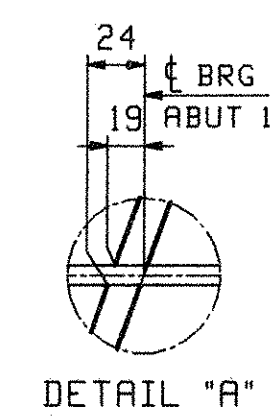
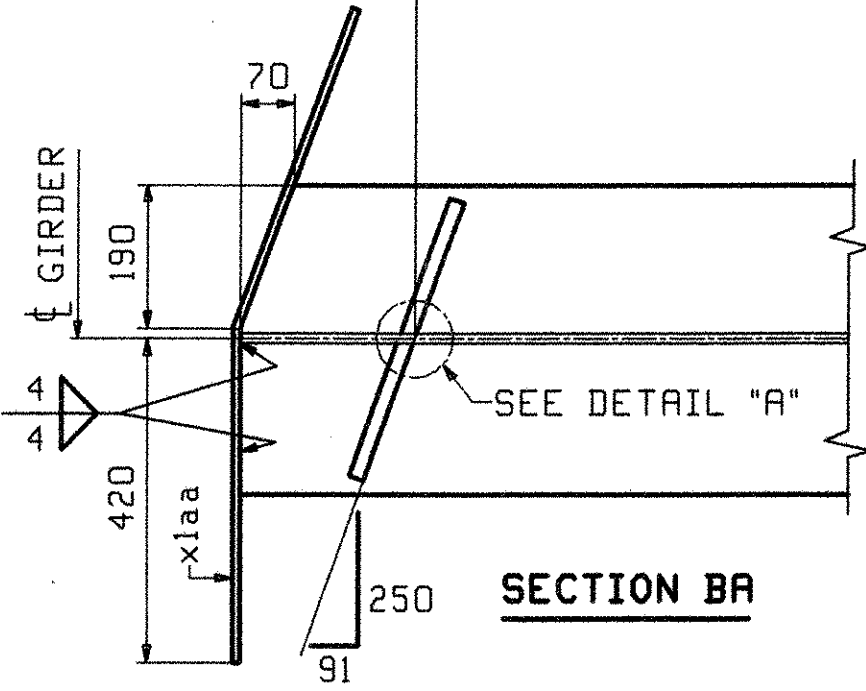


ABM INFO		BILL OF MATERIAL				JOB NO.	DRAWING NO.	REV.	
PAGE	LINE	MARK	QTY	MARK	MATERIAL	LENGTH	REMARKS	WT	PROCUREMENT NOTES
						m			
						mm			
		3G3	1		GIRDER			8148 kg	7363 lbs
1	F		1	wa	PL 13x1120	15 568	(M270M-345MT2)		(H2-3)
1	H		1	wb	PL 13x1120	13 110	(M270M-345MT2)		(H2-3)
1	M		1	ta	PL 22x406	13 122			
1	K		1	tb	PL 22x406	15 551			
1	D		1	ba	PL 28x406	13 100	(M270M-345MT2)		(H2-3)
1	B		1	bb	PL 28x406	15 549	(M270M-345MT2)		(H2-3)
2	B		4	x1a	PL 20x190	1 120		MIE	
2	C		5	x1b	PL 13x130	1 120			
2	C		1	x1d	PL 13x130	1 120			
2	C		1	x1g	PL 13x130	1 120			
2	C		1	x1m	PL 13x130	1 120			
2	C		1	x1p	PL 13x130	1 120			
2	C		1	x1v	PL 13x130	1 120			
2	E		2	x1aa	PL 6x250	0 883		BENT	



ONE - GIRDER - 3G3

FOR GIRDER STANDARD DETAILS SEE DRAWING XI.
 FOR CAMBER DIAGRAM SEE DRAWING C1.
 FOR GENERAL NOTES SEE DRAWING GNI.
 H2-3 DENOTES MATERIAL SUBJECT TO CHARPY V-NOTCH TESTING.



OUT FOR APPROVAL	3-1-06								
OUT FOR APPROVAL									
ISSUED TO SHOP									
FIELD & OFFICE									

REV.	REMARKS	DATE	DWN	CHK	APP	Q.A.	NO.	DIA.	LGT	TYPE	WASHER
	MATERIAL:										
	M270M-345W (UN)										
	ELECTRODES:										
	HOLES:										
	15										
	16										
	(UN)										
	SHOP BOLTS:										
	NONE										

SURFACE PREP. & PAINT:
 SEE DRAWING GNI

DESCRIPTION:	GIRDER - 3G3	DRAWN BY	DATE
JOB:	VT 114 OVER THE EAST BRANCH OF THE PASSUMPSIC RIVER	JTB	02/16
	BRIDGE NO. 8	CHKD BY	
	LYNDON, VT. COUNTY OF CALEDONIA	PCP	03/02
		APPROV BY	
		SUPERVISOR	H. J. GATTI
PROJ NO.	BRS 0269 (0)5	Q.A.	
CUSTOMER:	WINTERSET, INC.		
CASCO BAY STEEL STRUCTURES, INC.		JOB NO.	DRG. NO.
75 SPRING HILL ROAD	SACO, MAINE 04072	293	3
PHONE (207) 282-7360	FAX. (207) 282-1179		REV. Δ

RECEIVED
 OK'D BY *CWC* OK'D BY *JHG*
 MAR 13 2006
 RESUBMIT _____ APPROVED _____
 BY *CWC* DATE *4-11-06*