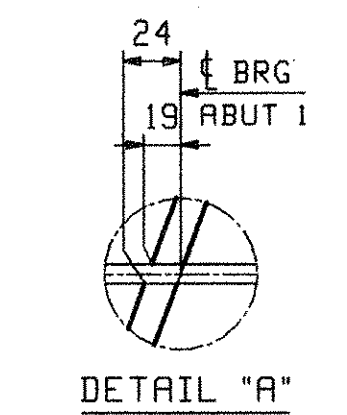
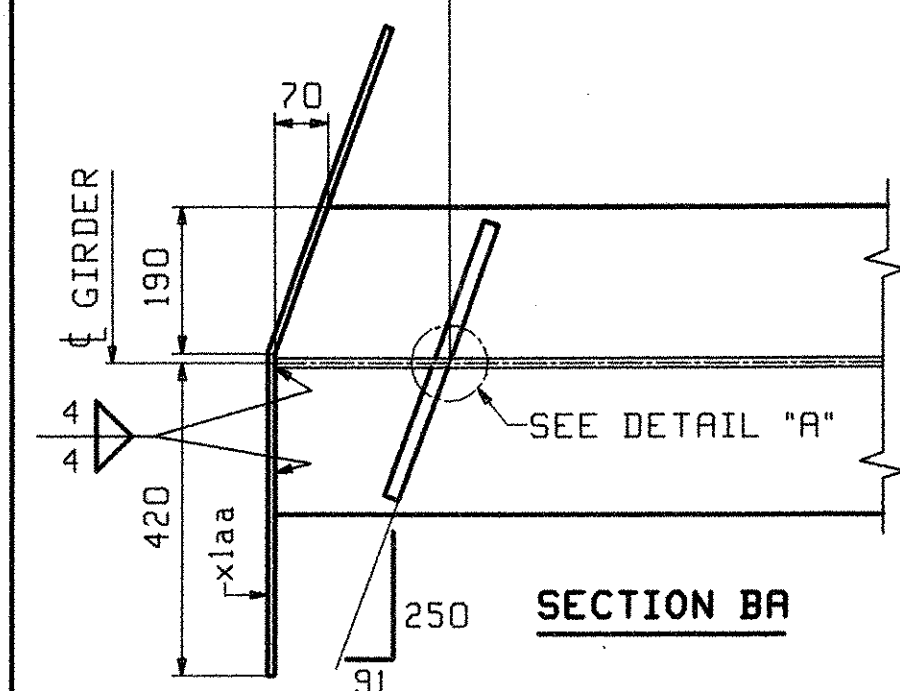
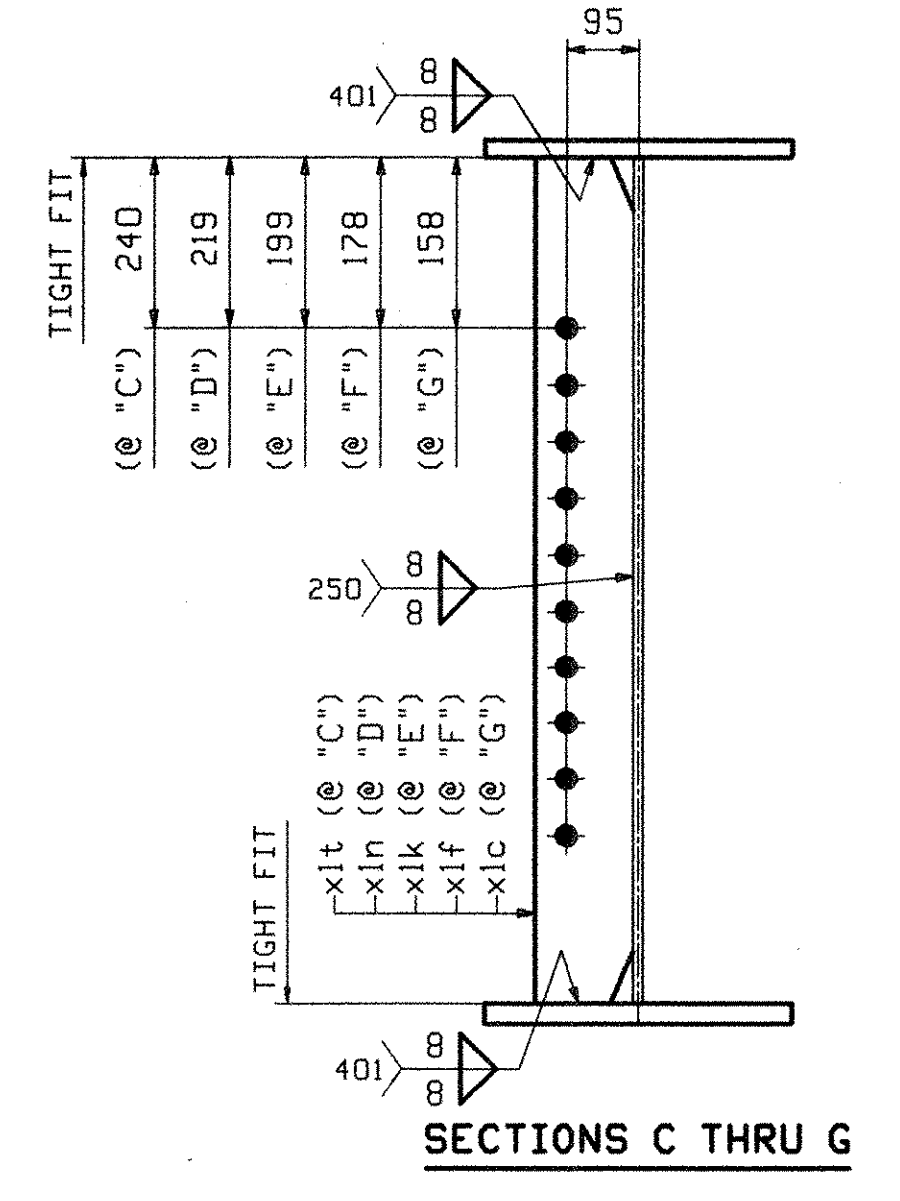
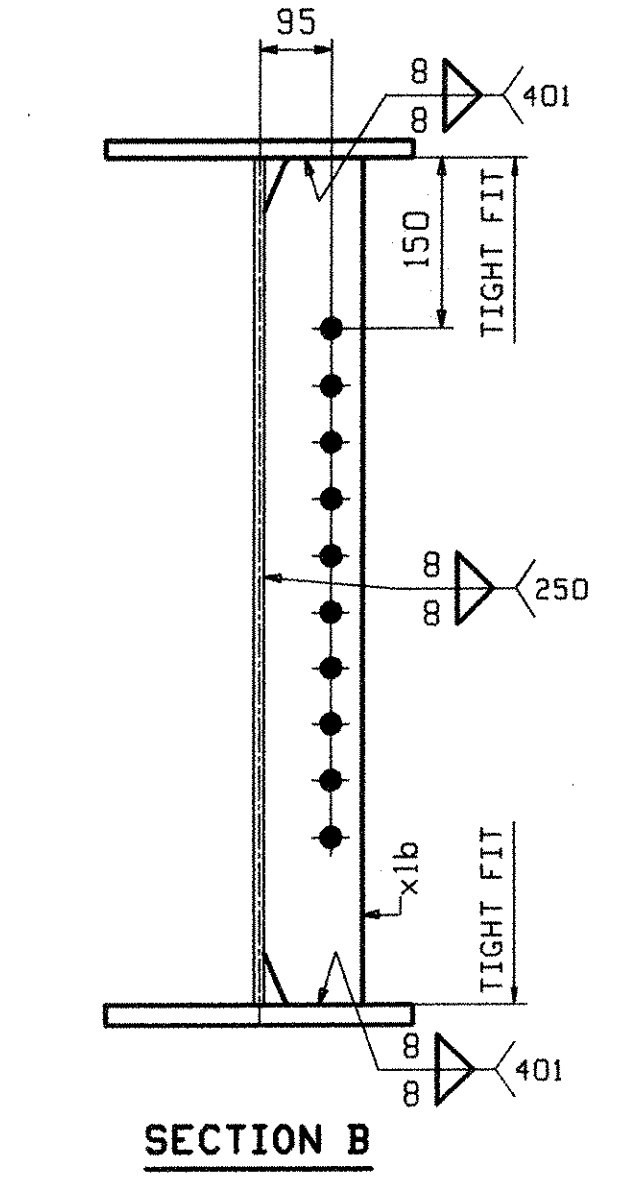
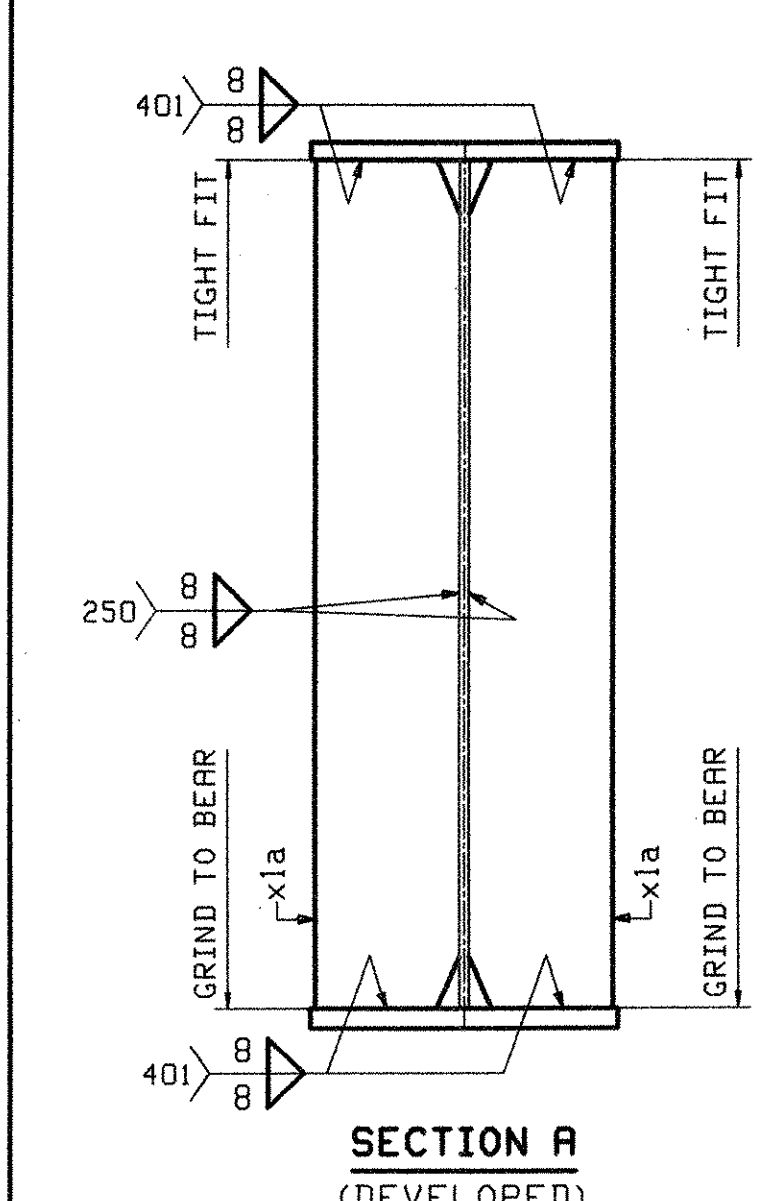
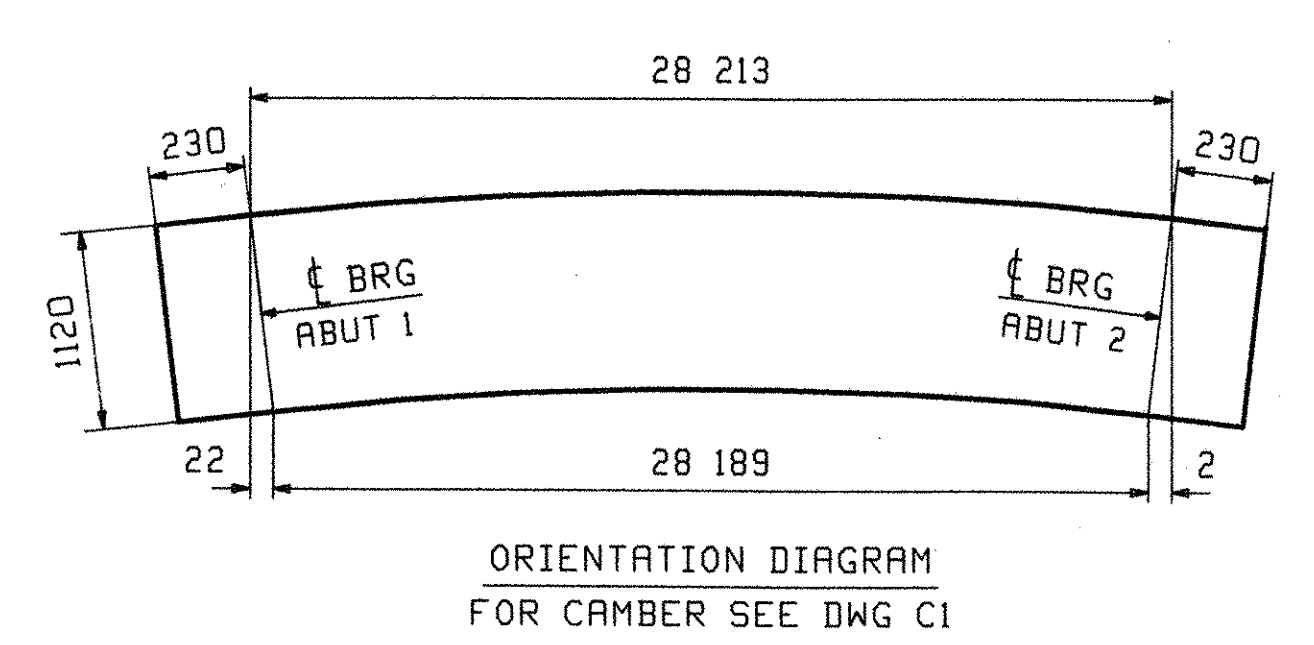
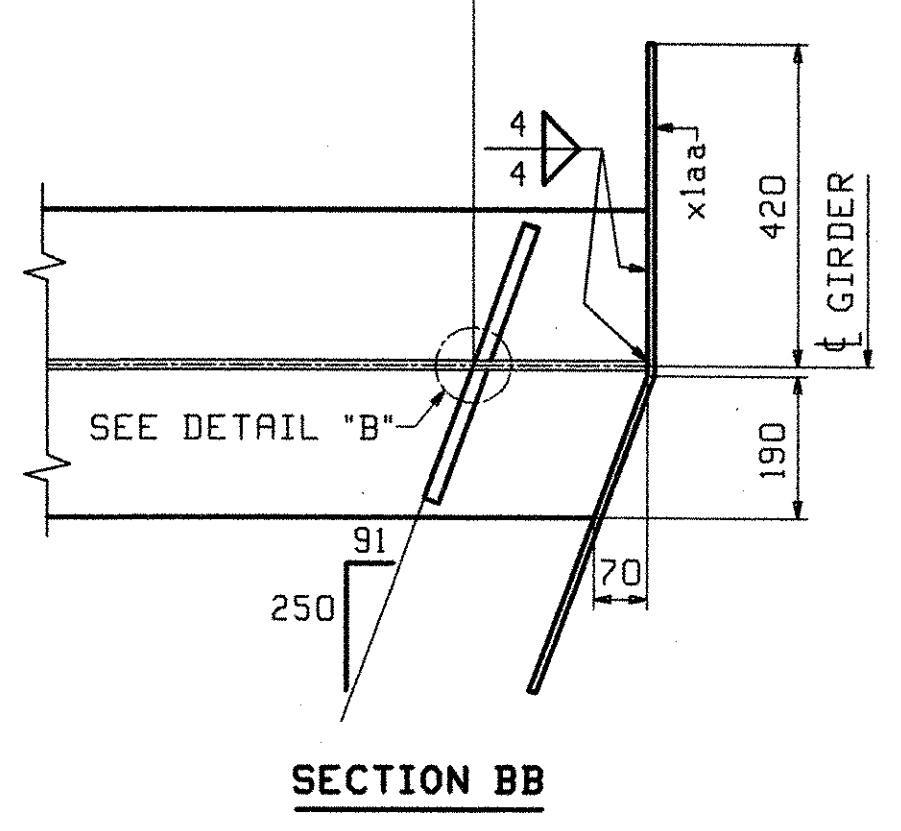
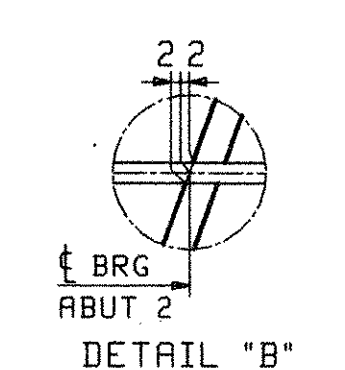


ABM INFO		BILL OF MATERIAL				JOB NO.	DRAWING NO.	REV.	
						293	2		
PAGE	LINE	MARK	QTY	MARK	MATERIAL	LENGTH	REMARKS	WT	PROCUREMENT NOTES
						m			
						mm			
		2G2	1		GIRDER				1148 kg 2563 lbs
1	F		1	wa	PL 13x1120	15 572	(M270M-345HT2)		(H2-3)
1	H		1	wb	PL 13x1120	13 110	(M270M-345HT2)		(H2-3)
1	M		1	ta	PL 22x406	13 123			
1	K		1	tb	PL 22x406	15 550			
1	D		1	ba	PL 28x406	13 100	(M270M-345HT2)		(H2-3)
1	B		1	bb	PL 28x406	15 549	(M270M-345HT2)		(H2-3)
2	B		4	x-la	PL 20x190	1 120	MIE		
2	C		5	x-lb	PL 13x130	1 120			
2	C		1	x-lc	PL 13x130	1 120			
2	C		1	x-lf	PL 13x130	1 120			
2	C		1	x-ik	PL 13x130	1 120			
2	C		1	x-in	PL 13x130	1 120			
2	C		1	x-it	PL 13x130	1 120			
2	E		2	x-laa	PL 6x250	0 883	BENT		



**ONE - GIRDER - 2G2**  
 FOR GIRDER STANDARD DETAILS SEE DRAWING XI.  
 FOR CAMBER DIAGRAM SEE DRAWING CI.  
 FOR GENERAL NOTES SEE DRAWING GNI.  
 H2-3 DENOTES MATERIAL SUBJECT TO CHARPY V-NOTCH TESTING.



OUT FOR APPROVAL	3-7-06										
OUT FOR APPROVAL											
ISSUED TO SHOP											
FIELD & OFFICE											
REV.	REMARKS	DATE	DWN	CHK	APP	Q.A.	NO.	DIA.	LGT	TYPE	WASHER
	MATERIAL:	ELECTRODES:		HOLES:		SHOP BOLTS:					
	M270M-345W (UN)			15 16 Ø (UN)		NONE					
SURFACE PREP. & PAINT:											
SEE DRAWING GNI											
DESCRIPTION: GIRDER - 2G2										DRAWN BY	DATE
JOB: VT 114 OVER THE EAST BRANCH OF THE PASSUMPSIC RIVER										JTB	02/16
BRIDGE NO. 8										CHKD BY	
LYNDON, VT. COUNTY OF CALEDONIA										PCP	03/02
TENSOR 2625										APPROV BY	
PROJ NO. BRS 0269 (8)S										SUPERVISOR	H. J. GATTI
CUSTOMER: WINTERSET, INC.										Q.A.	
<b>CASCO BAY STEEL STRUCTURES, INC.</b>										JOB NO.	DRG. NO.
75 SPRING HILL ROAD SACO, MAINE 04072										293	2
PHONE (207) 282-7360 FAX. (207) 282-1179											

RECEIVED  
 OK'D BY *awc* OK'D BY *awc*  
 MAR 13 2006  
 RESUBMIT APPROVED  
 BY *awc* DATE *4-1-06*