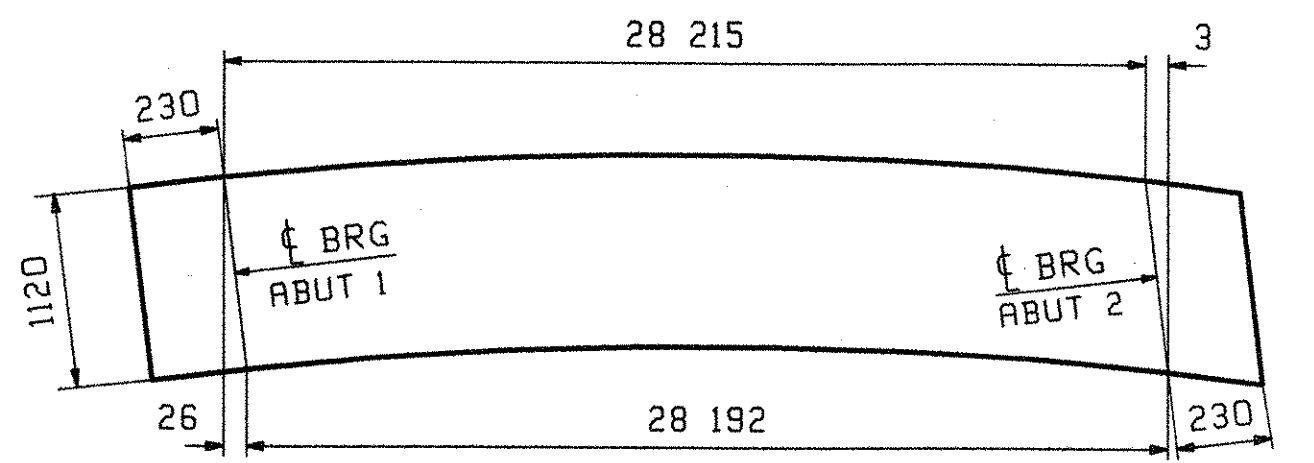


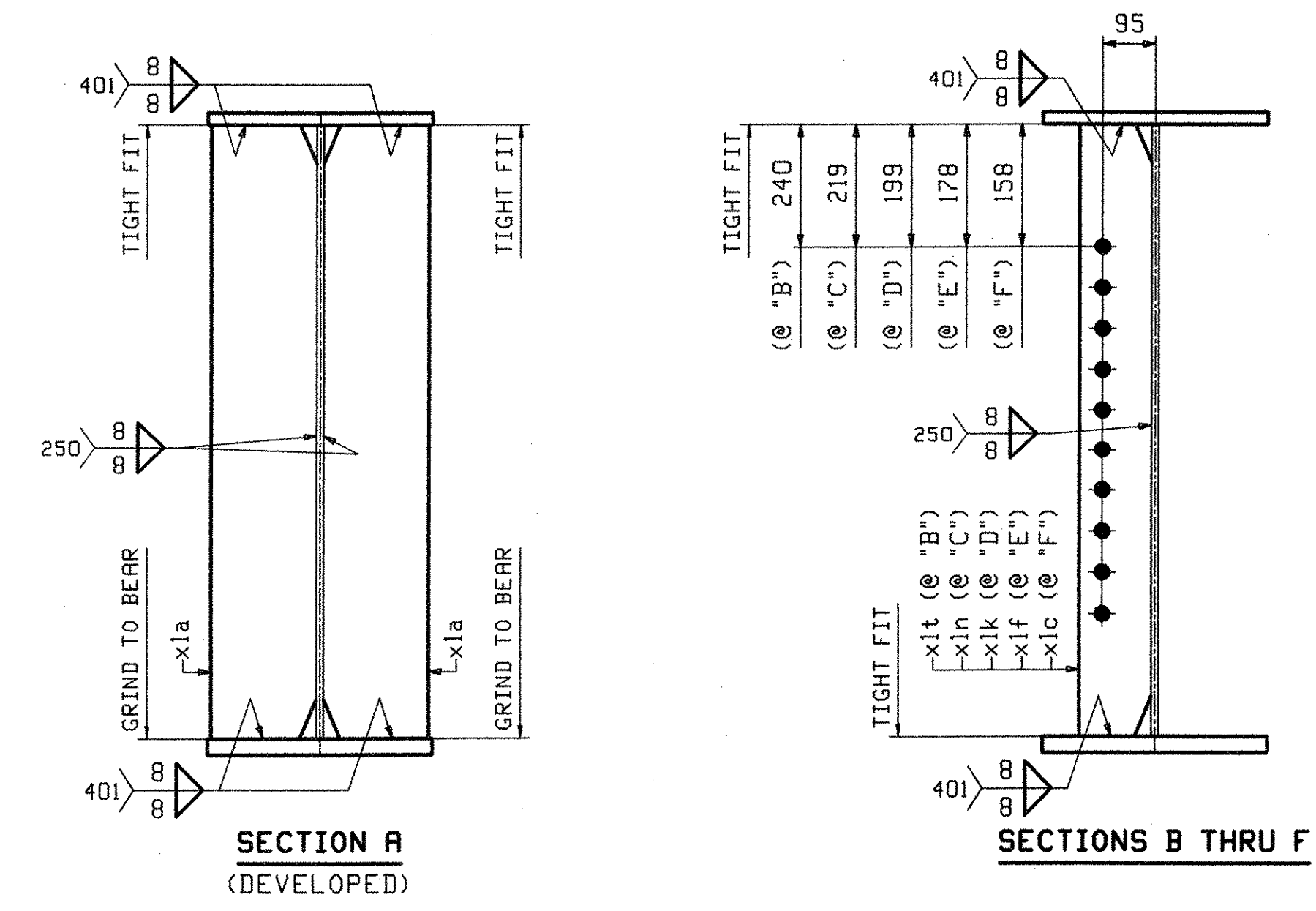
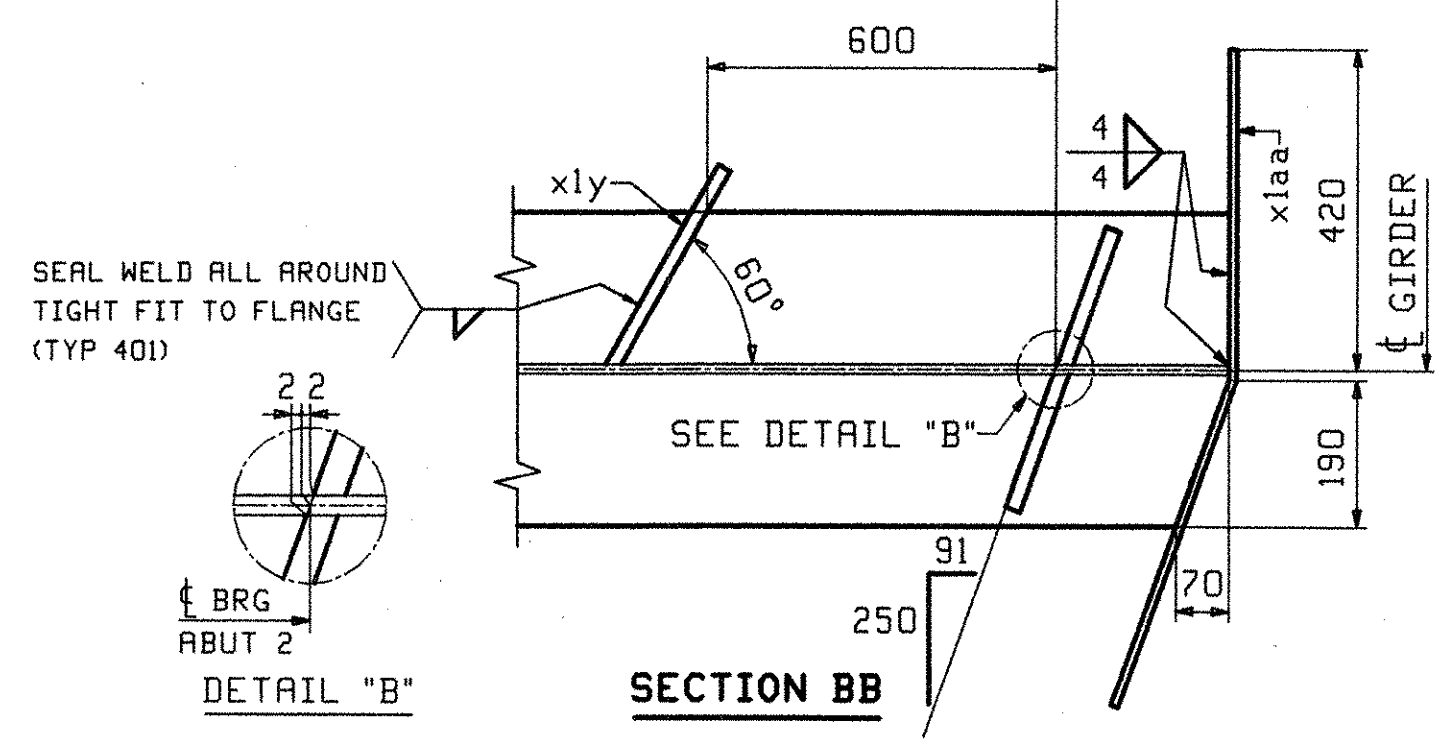
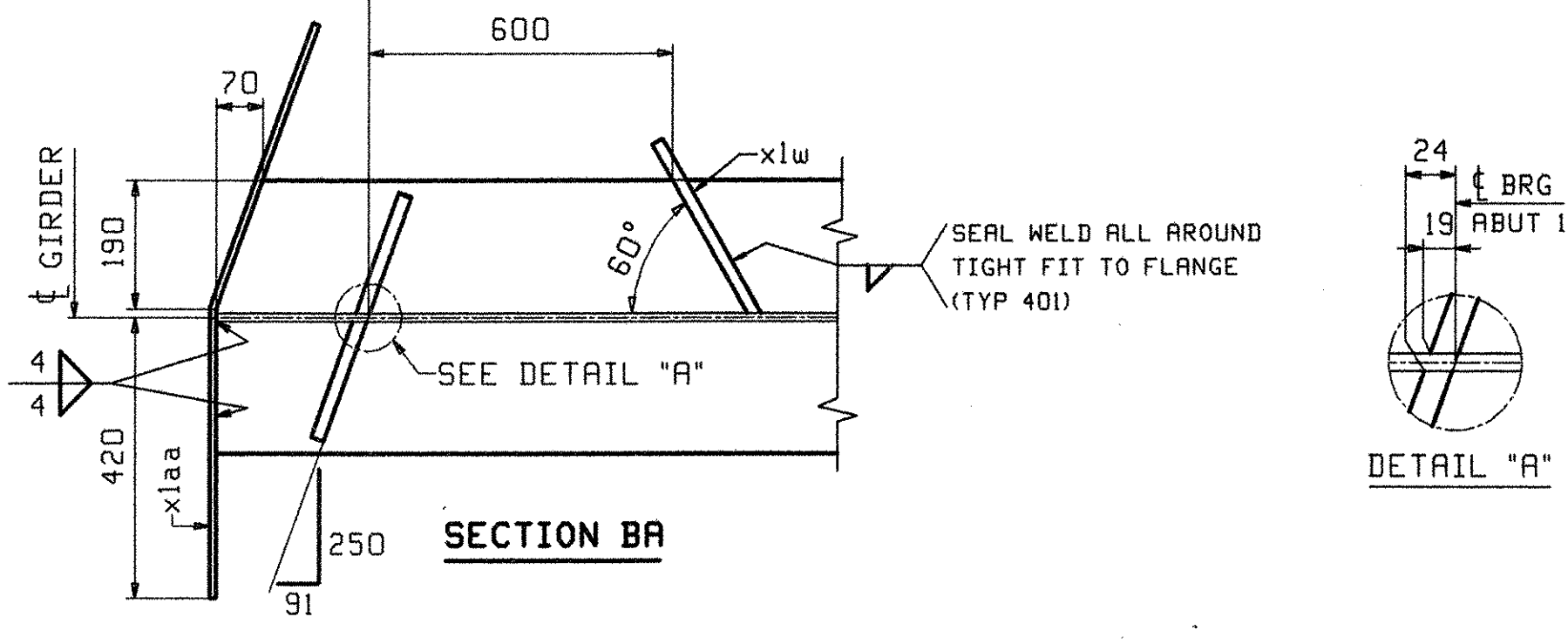
ABM INFO		BILL OF MATERIAL				JOB NO.	DRAWING NO.	REV.	
PAGE	LINE	MARK	QTY	MARK	MATERIAL	LENGTH	REMARKS	WT	PROCUREMENT NOTES
						m			
						mm			
		IG1	1		GIRDER				3077 kg 1806 lbs
1	F		1	wa	PL 13x1120	15 576	(M270M-345WT2)		(H2-3)
1	H		1	wb	PL 13x1120	13 113	(M270M-345WT2)		(H2-3)
1	M		1	ta	PL 22x406	13 124			
1	K		1	tb	PL 22x406	15 551			
1	D		1	ba	PL 28x406	13 102	(M270M-345WT2)		(H2-3)
1	B		1	bb	PL 28x406	15 550	(M270M-345WT2)		(H2-3)
2	B		4	xla	PL 20x190	1 120	MIE		
2	C		1	xlc	PL 13x130	1 120			
2	C		1	xlf	PL 13x130	1 120			
2	C		1	xlk	PL 13x130	1 120			
2	C		1	xln	PL 13x130	1 120			
2	C		1	xlt	PL 13x130	1 120			
2	D		1	xlw	PL 6x78	0 280			
2	D		1	xly	PL 6x78	0 280			
2	E		2	xlaa	PL 6x250	0 883	BENT		

ONE - GIRDER - IG1

FOR GIRDER STANDARD DETAILS SEE DRAWING X1.
 FOR CAMBER DIAGRAM SEE DRAWING C1.
 FOR GENERAL NOTES SEE DRAWING GNI.
 H2-3 DENOTES MATERIAL SUBJECT TO CHARPY V-NOTCH TESTING.



ORIENTATION DIAGRAM FOR CAMBER SEE DWG C1



OUT FOR APPROVAL	3-7-14								
OUT FOR APPROVAL									
ISSUED TO SHOP									
FIELD & OFFICE									

REV.	REMARKS	DATE	DWN	CHK	APP	Q.A.	NO.	DIA.	LGT	TYPE	WASHER
	MATERIAL:										
	M270M-345W (UN)										
	ELECTRODES:										
	HOLES:										
	15/16 Ø (UN)										
	SHOP BOLTS:										
	NONE										

SURFACE PREP. & PAINT:		SEE DRAWING GNI	
DESCRIPTION:	GIRDER - IG1	DRAWN BY	DATE
JOB:	VT 114 OVER THE EAST BRANCH OF THE PASSUMPSIC RIVER	JTB	02/16
	BRIDGE NO. 8	CHKD BY	
	LYNDON, VT. COUNTY OF CALEDONIA	PCP	03/02
		APPROV BY	
		SUPERVISOR	W. J. GATTI
PROJ NO.	BRS 0269 (8)S	Q.A.	
CUSTOMER:	WINTERSET, INC.		
CASCO BAY STEEL STRUCTURES, INC.		JOB NO.	DRG. NO.
75 SPRING HILL ROAD SACO, MAINE 04072		293	1
PHONE (207) 282-7360 FAX. (207) 282-1179			REV. △

RECEIVED
 OK'D BY: *CWC* OK'D BY: *WJP*
 MAR 13 2006
 RESUBMIT APPROVED
 BY *CWC* DATE 4/1/06