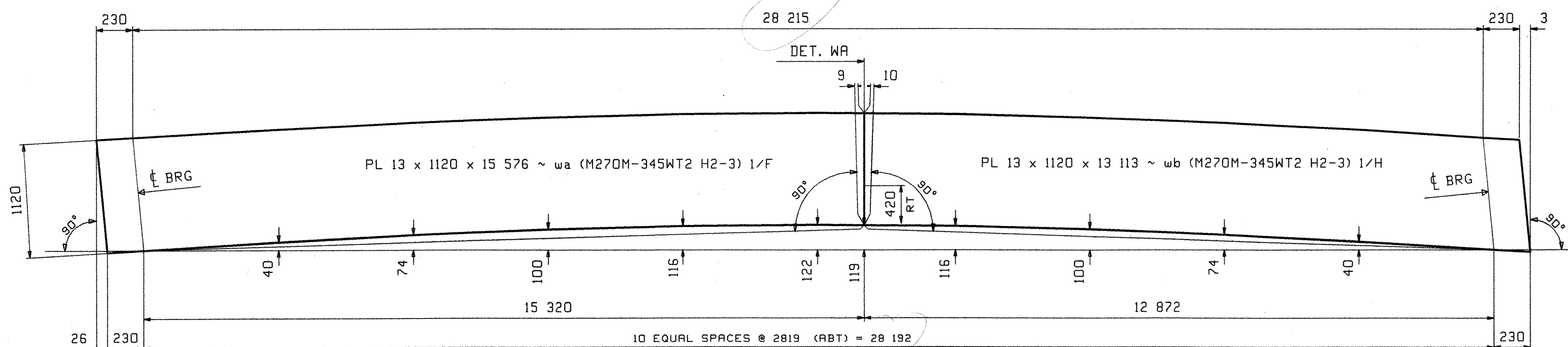
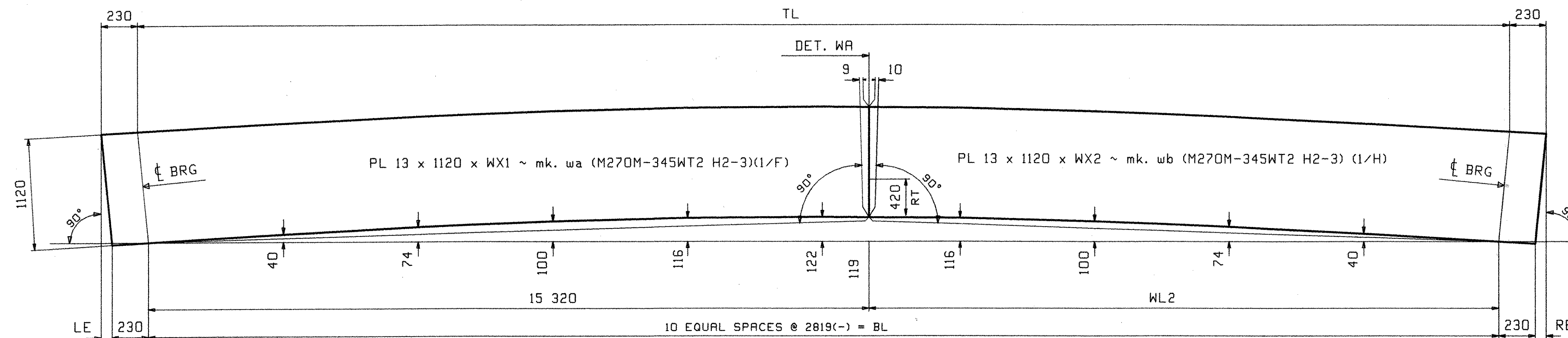


FLANGE DIAGRAM FOR 1G1 THRU 5G5

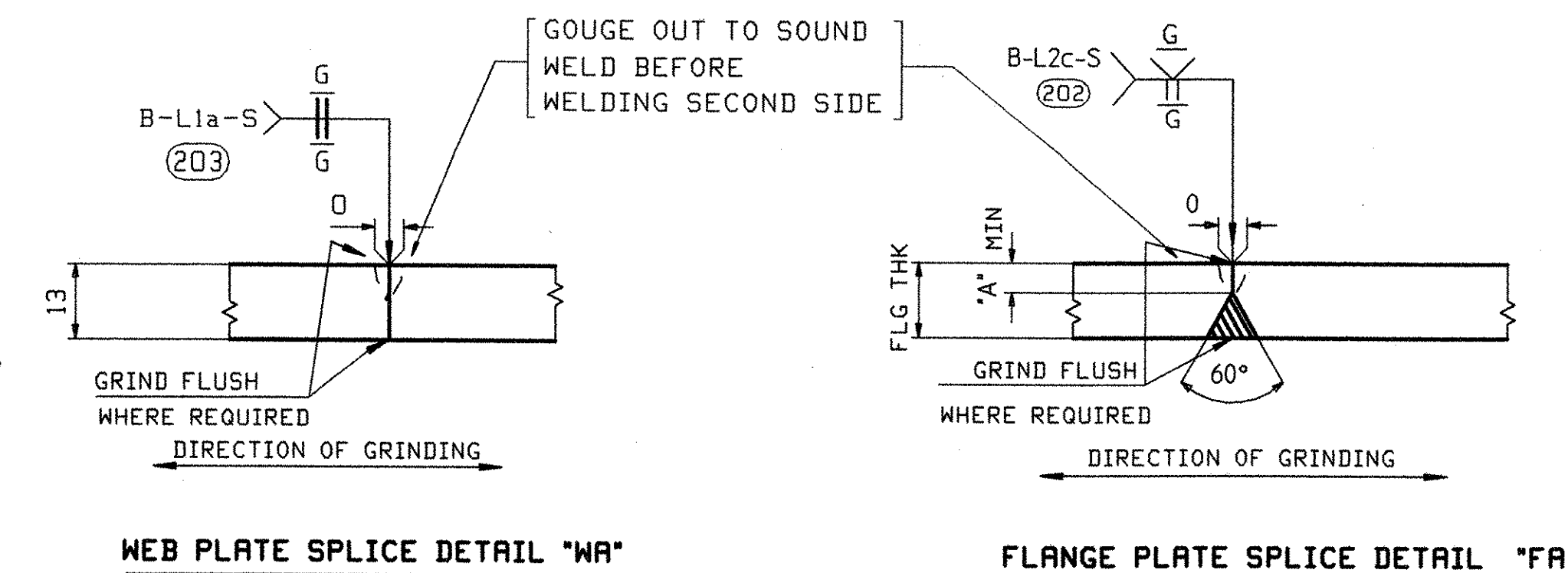


CAMBER DIAGRAM FOR 1G1



CAMBER DIAGRAM FOR 2G2 THRU 5G5

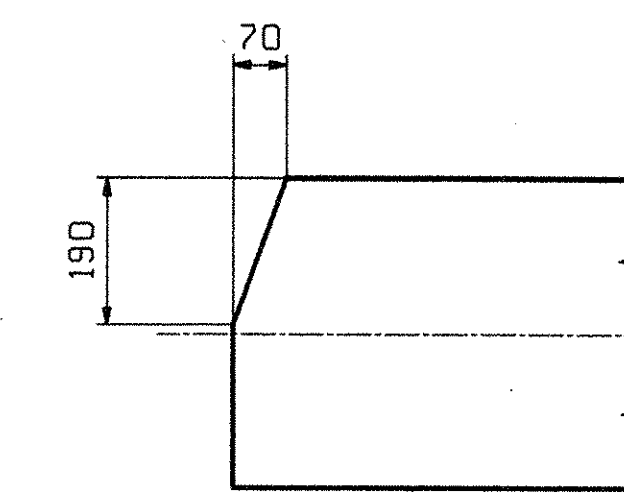
MARK	TL	BL	LE	RE	WL2	WX1	WX2
2G2	28 213	28 189	22	2	12 869	15 572	13 110
3G3	28 213	28 189	18	6	12 869	15 568	13 110
4G4	28 211	28 187	13	11	12 867	15 563	13 109
5G5	28 211	28 187	9	15	12 867	15 559	13 113



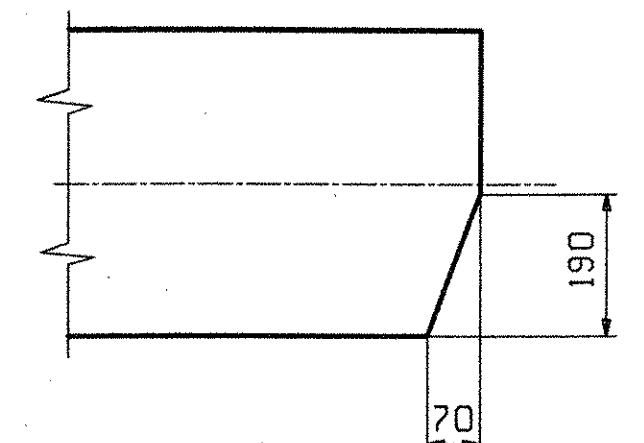
WEB PLATE SPLICE DETAIL 'WA'

FLANGE PLATE SPLICE DETAIL 'FA'

FLG THK	'A'
22	6
28	10



SECT "L"  
FLG CLIP- TYP T&B FLG



SECT "R"  
FLG CLIP- TYP T&B FLG

OUT FOR APPROVAL	9-7-06																		
OUT FOR APPROVAL																			
ISSUED TO SHOP																			
FIELD & OFFICE																			
REV.	REMARKS	DATE	DWN	CHK	APP	Q.A.	NO.	DIA.	LGT	TYPE	WASHER								
	MATERIAL:																		
	M270M GR 345W																		
SURFACE PREP. & PAINT: SEE DRAWING GNI																			
DESCRIPTION: CAMBER AND FLANGE DIAGRAMS																		DRAWN BY	DATE
JOB: VT 114 OVER THE EAST BRANCH OF THE PASSUMPSIC RIVER																		WL	01/31
BRIDGE NO. 8																		CHKD BY	
LYNDON, VT. COUNTY OF CALEDONIA																		DO	02/06
																		APPROV BY	
																		SUPERVISOR	M. J. GATTI
PROJ NO. BRS 0269 (0)5																		Q.A.	
CUSTOMER: WINTERSET, INC.																			
<b>CASCO BAY STEEL STRUCTURES, INC.</b>																		JOB NO.	DRG. NO.
75 SPRING HILL ROAD SACO, MAINE 04072																		293	C1
PHONE (207) 282-7360 FAX. (207) 282-1179																		REV.	△

NOTES:

- FOR GENERAL NOTES SEE DWG GNI.
- H2-3 DENOTES MATERIAL SUBJECT TO CHARPY V-NOTCH TEST AT H FREQ. FOR ZONE 2

RECEIVED  
 OK'D BY *SWP* OK'D BY *CWK*  
 MAR 13 2006  
 RESUBMIT APPROVED  
 BY *cwe* DATE *4/10/06*