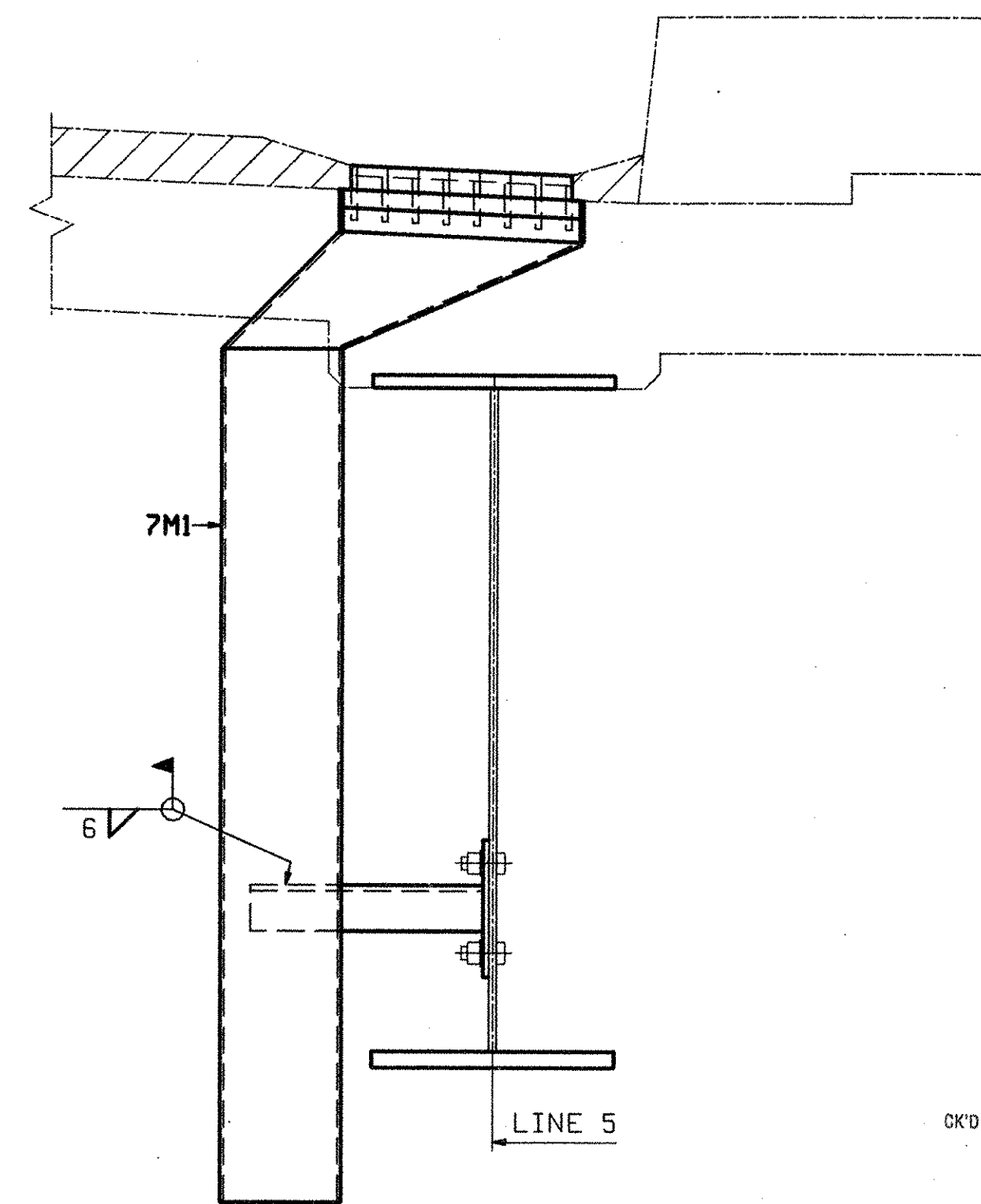


FRAMING PLAN



TYP. SCUPPER  
LOOKING UPSTATION

FIELD BOLT LIST		A325 Type 3 BOLTS									
LINE	NO. REQ'D.	BOLT DIAM.	BOLT LEN.	BOLTS # OF CONN.	GRIP	THICKNESS OF PCS. CONNECTED	WASH CODE	PIECES CONNECTED AND REMARKS			
1								INT DIAPHRAGMS - 6D1			
2	400	7/8	2 1/2	20	20	27	14	13	1	DIAPHRAGM WEB TO CONNECTION PLATE	

WASHER CODES  
1: 1 Hard Flat Washer

FIELD BOLT SUMMARY		2% ADDED, MIN. 2 EXTRA				REMARKS
LINE	NO. OF BOLTS	BOLT DIAM.	TYPE	BOLT LEN	ACTUAL COUNT	
1	408	7/8	A325 Type 3	2 1/2	400	
2						
3	408	Hard Flat Washers for 7/8" BOLT				TYPE 436W
4						
5						
6						

- All bolt diameters and lengths are shown in inches (english unit of measurement).
- All grip values are shown in metric units.

OUT FOR APPROVAL	3-2-06																		
OUT FOR APPROVAL																			
ISSUED TO SHOP																			
FIELD & OFFICE																			
REV.	REMARKS	DATE	DWN	CHK	APP	Q.A.	NO.	DIA.	LGT	TYPE	WASHER								
MATERIAL:		ELECTRODES:		HOLES:		SHOP BOLTS:													
SURFACE PREP. & PAINT:																			
DESCRIPTION: FRAMING PLAN												DRAWN BY	DATE						
JOB: VT 114 OVER THE EAST BRANCH OF THE PASSUMPSIC RIVER												JTB	02/16						
BRIDGE NO. 8												CHKD BY							
LYNDON, VT. COUNTY OF CALEDONIA												PCP	03/02						
TENSOR 2625												APPROV BY							
PROJ NO. BRS 0269 (8)S												SUPERVISOR	W. J. GATTI						
CUSTOMER: WINTERSET, INC.												Q.A.							
CASCO BAY STEEL STRUCTURES, INC.												JOB NO.	DRG. NO.						
75 SPRING HILL ROAD												293	E1						
PHONE (207) 282-7360												FAX.	(207) 282-1179						
												REV.	△						

RECEIVED  
 OK'D BY JAP OK'D BY CWC  
 MAR 13 2006  
 RESUBMIT APPROVED  
 BY CWC DATE 4/11/06