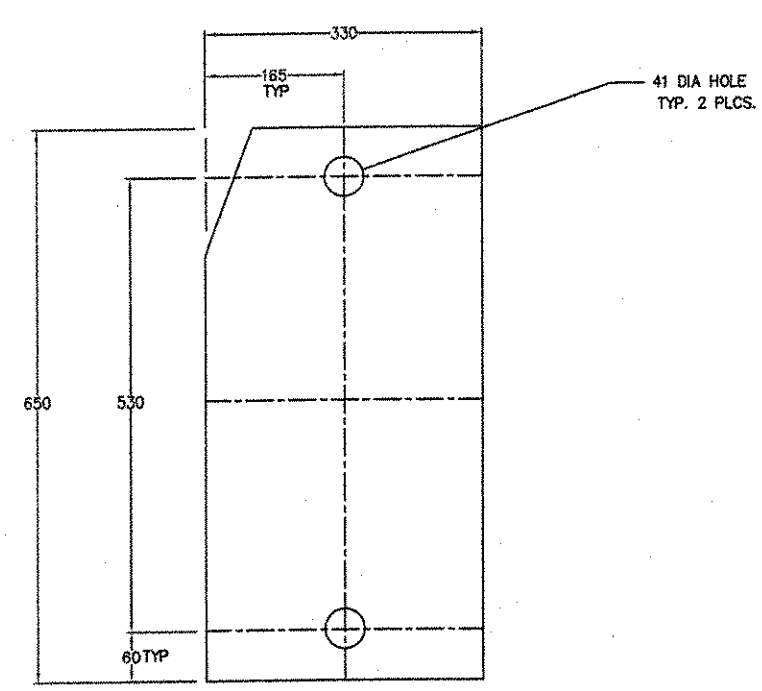
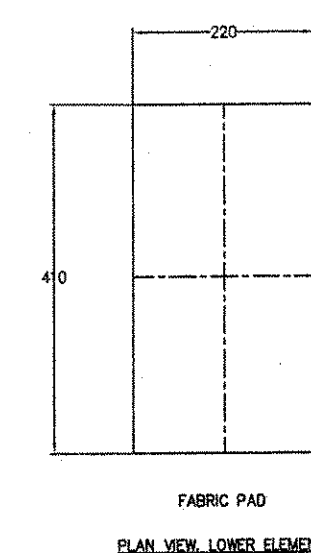


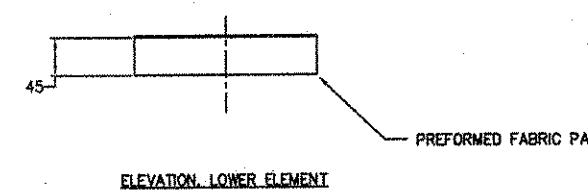
SEE SHEET 1 FOR NOTES



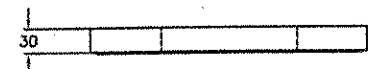
SOLE PLATE  
PLAN VIEW UPPER ELEMENT



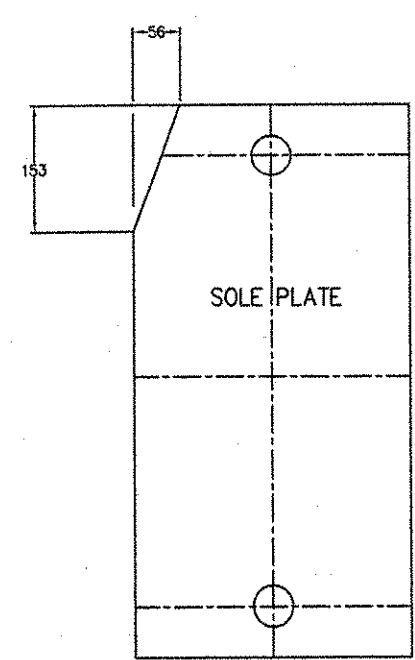
FABRIC PAD  
PLAN VIEW LOWER ELEMENT



ELEVATION LOWER ELEMENT  
PREFORMED FABRIC PAD



ELEVATION UPPER ELEMENT  
MK. 02, 5 REQUIRED AT ABUT 2  
TYP. FREQ.



BEARING CLIP DETAIL

VAOT  
RECEIVED  
OK'D BY *G. Kelly* DATE *3-10-06*  
APPROVED BY *X* DATE *3/28/06*  
BY *RPW*

CAD FILE: 28853VT  
CUSTOMER: WINTHSEY, INC.  
128 WINTHSEY DR.  
LYNDENVILLE, VT, 05851

REV#	DESCRIPTION	DATE
1	TOWN OF LYNDEN BRIDGE NO. 8	
2	PROJECT NAME BRIDGE TOWN OF LYNDEN PROJECT NUMBER BNS 0269 1015	
3	HIGHWAY NO. VT 114 COUNTY CALDWELL	
4	CONTRACTOR: WINTHSEY INC.	
5	Seismic Energy Products, L.P. STRUCTURAL BEARINGS FOR BRIDGES & BUILDINGS 37800 130th St SHELTON, VT 05777	
6	STATE OF VERMONT AGENCY OF TRANSPORTATION	
7	STRUCTURAL BEARING DETAILS FOR: VT 114 BRIDGE NO. 8 OVER EAST BRANCH PASSUMPSCOTT RIVER	
8	DRW. #15 02/02/06 P.D. NO. 28853	
9	CHKD. BY 02/22/06 C-1885	
10	D.A. NEWMA REV. DWG. NO. 28853 SH2 2 OF 2	

072 BB