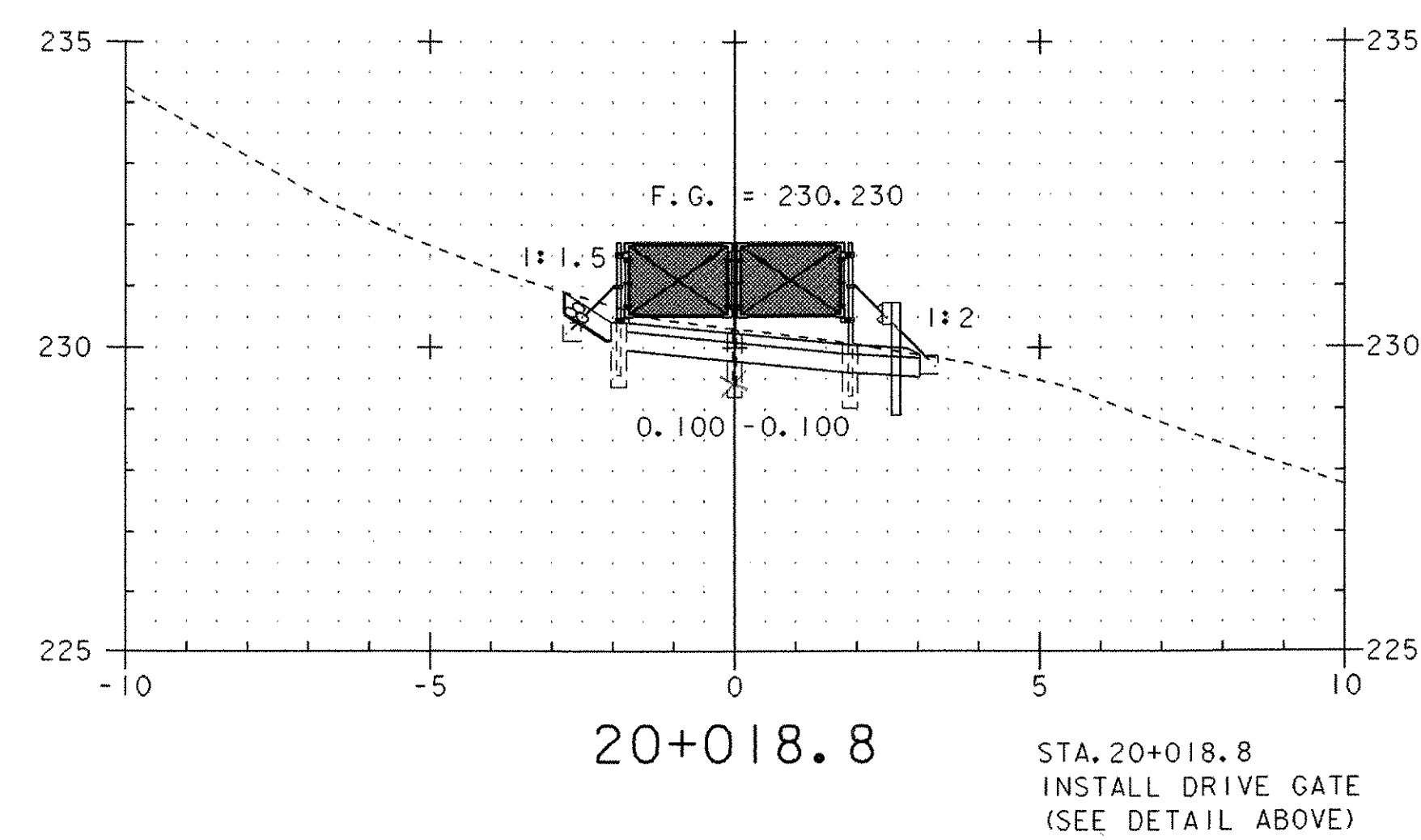
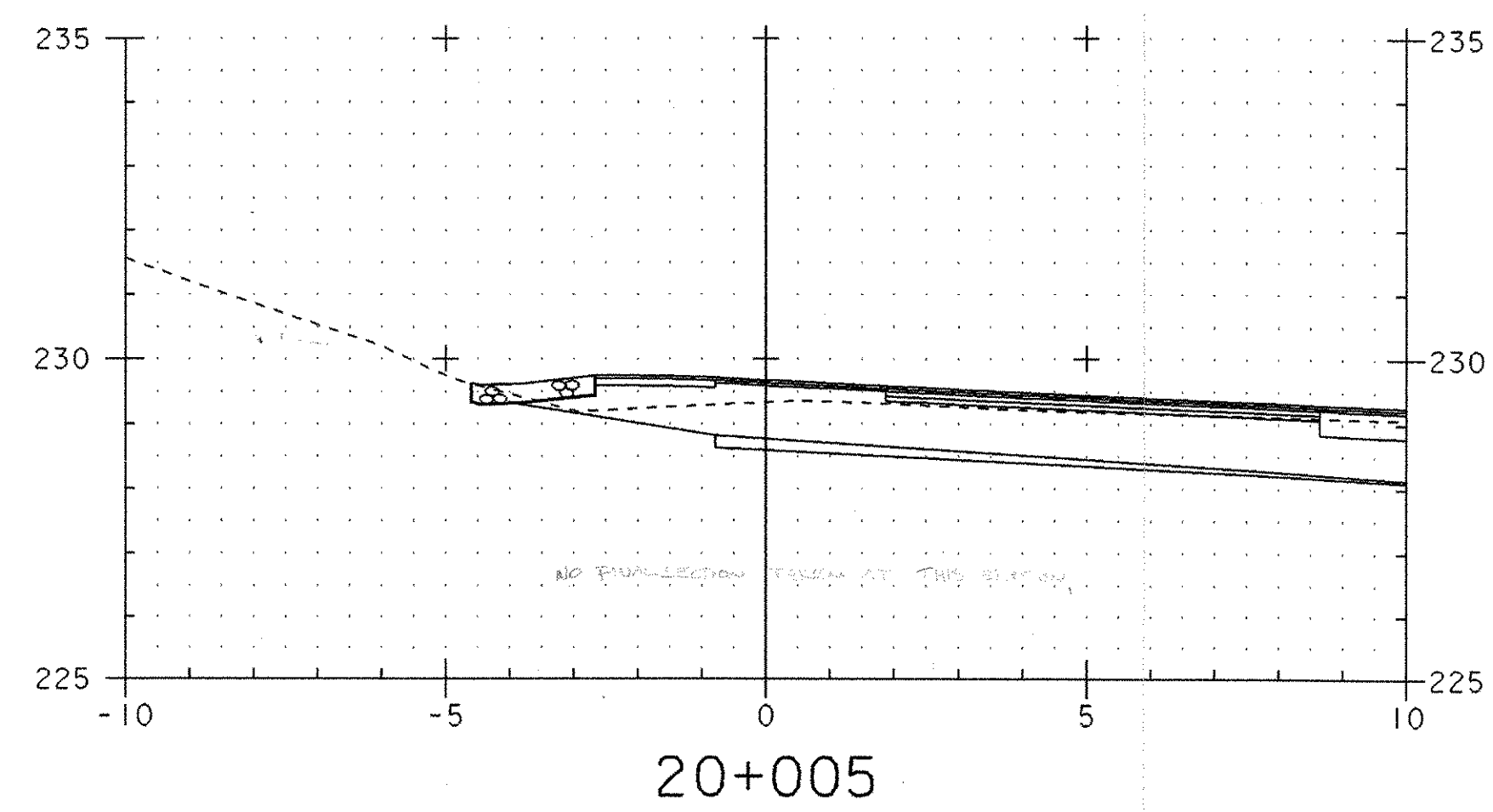
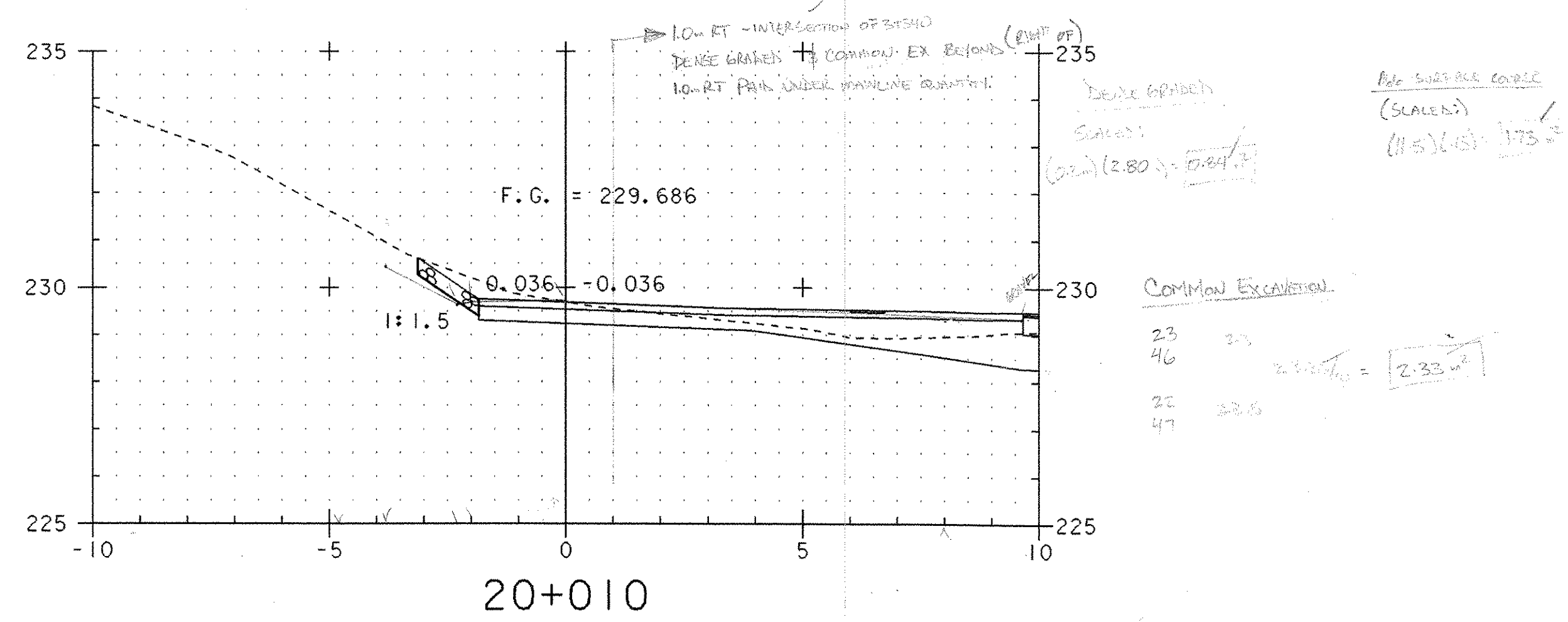


STA. 20+018.8 DRIVE GATE DETAIL
(SEE STANDARD F-4M)



STA. 20+018.8
INSTALL DRIVE GATE
(SEE DETAIL ABOVE)

SIDELINE CROSS SECTIONS (1)

PROJECT NAME: LYNDON
PROJECT NUMBER: BRS 0269 (8)S

FILE NAME: 85e04\Structures\se04is01.i PLOT DATE: 29-NOV-2005
PROJECT MANAGER: R. R. WHITCOMB DRAWN BY: G. ROY
DESIGNED BY: G. ROY CHECKED BY: M. LOZIER
STA. 20+005 TO STA. 20+018.8 (GATE) SHEET 61 OF 68

