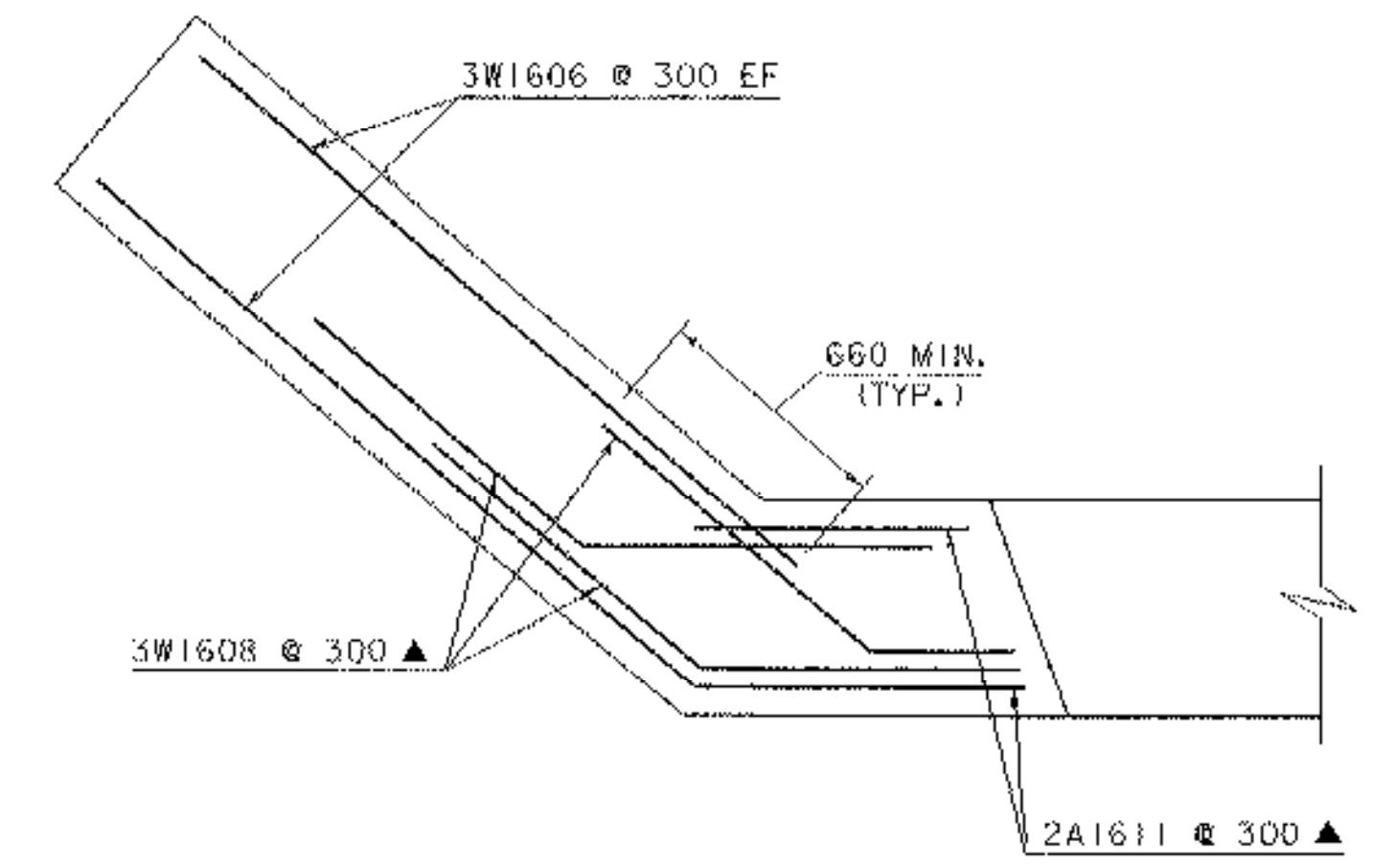
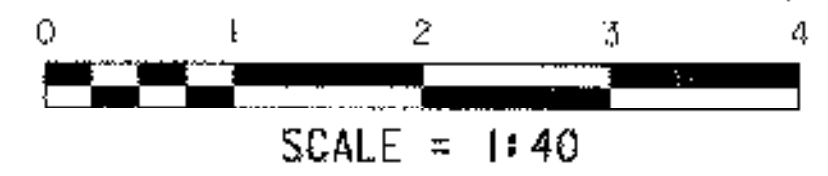
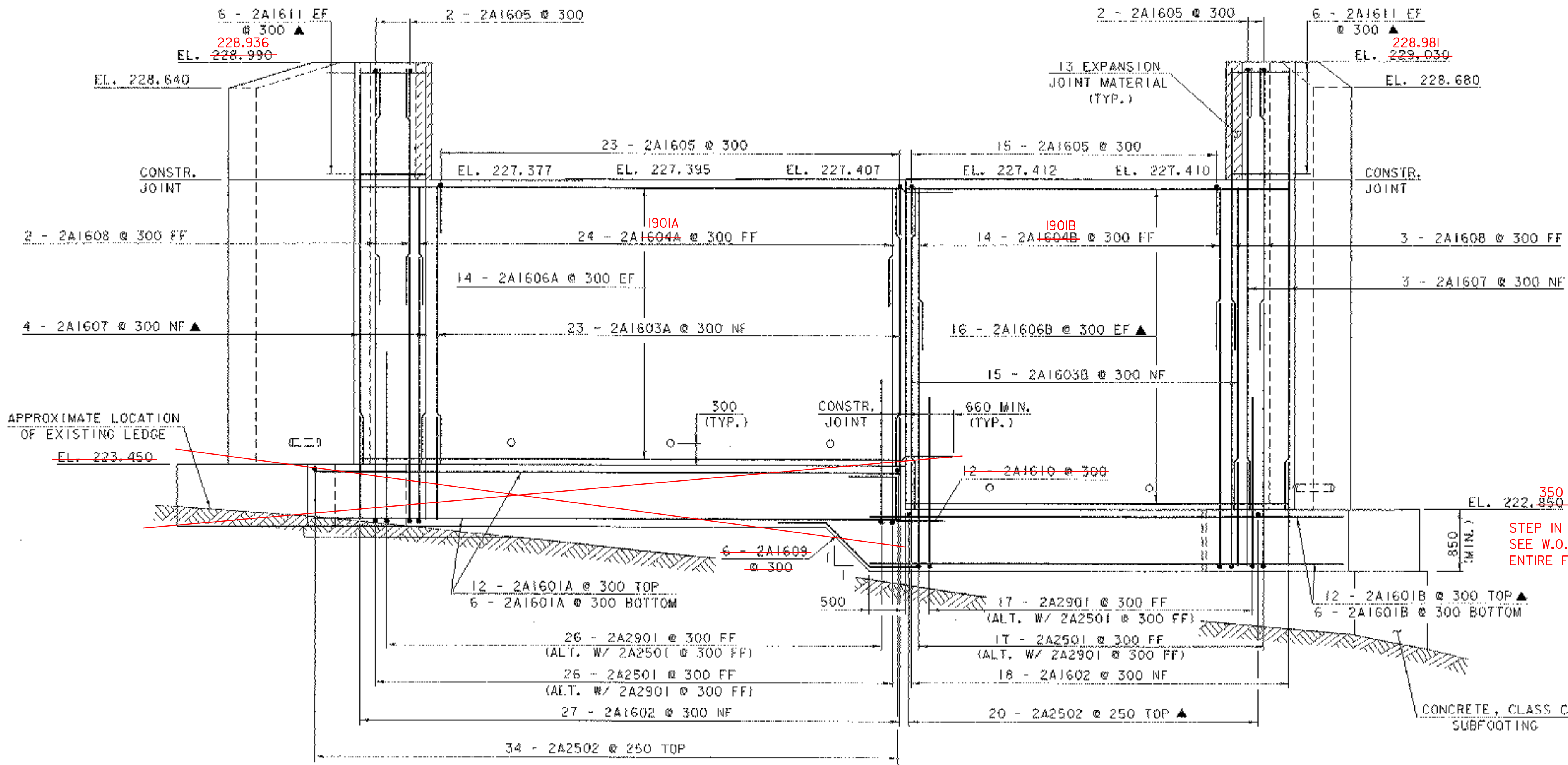
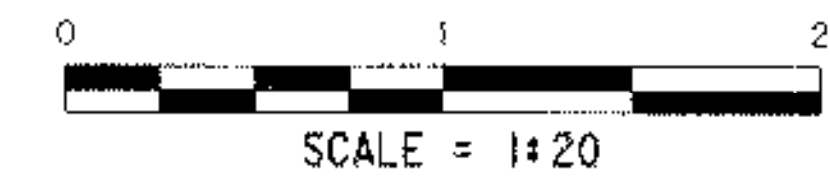


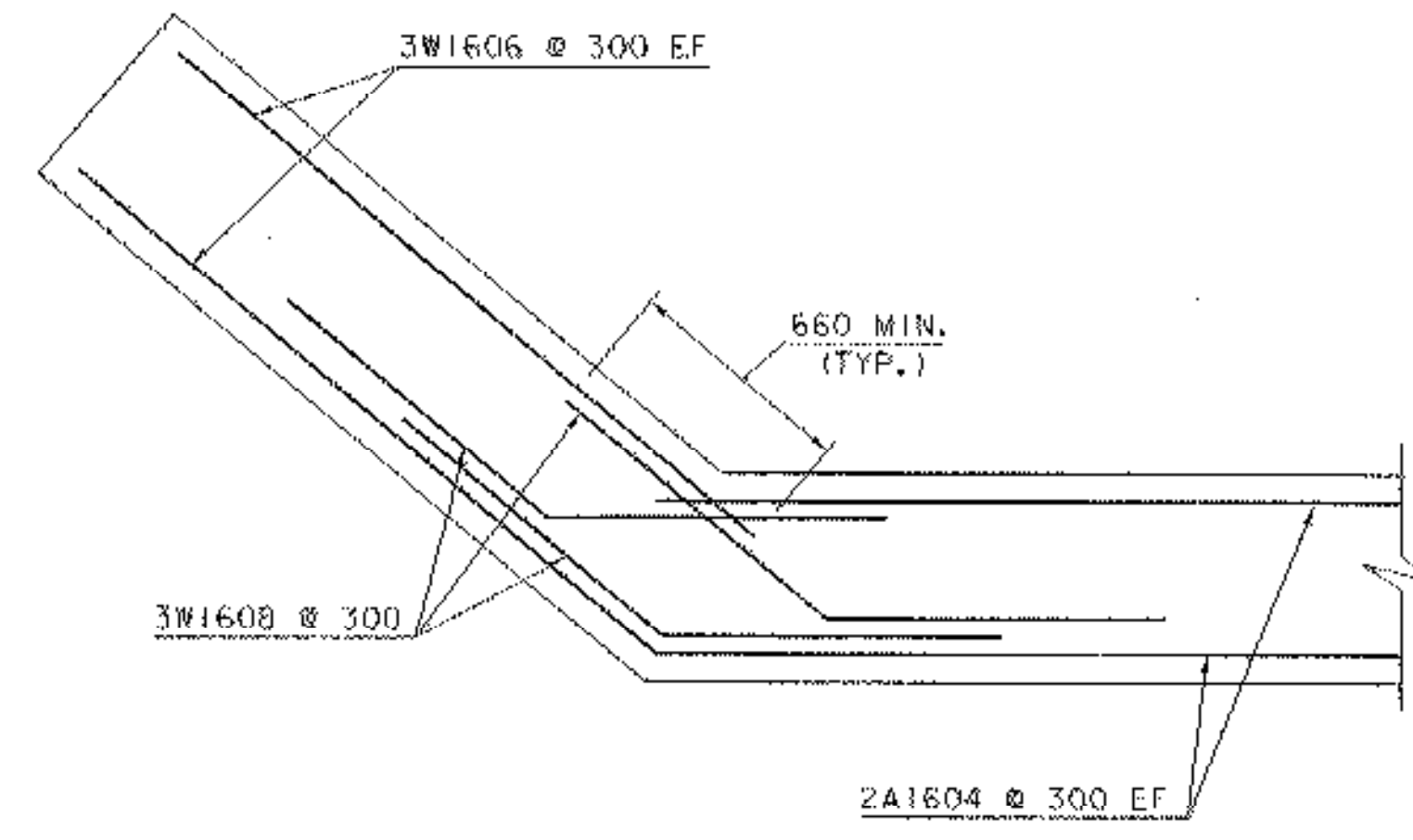
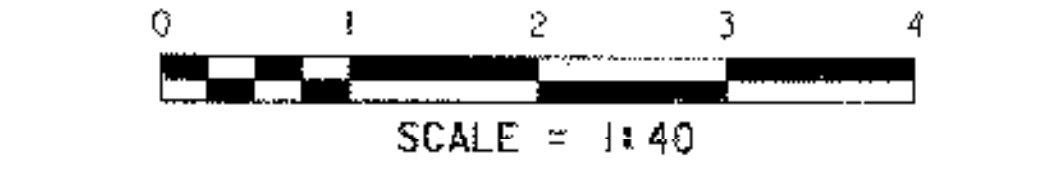
ABUTMENT NO. 2 PLAN



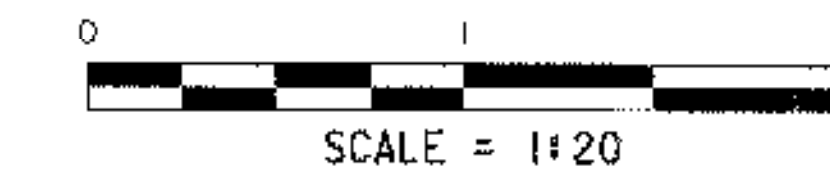
**WINGWALL NO. 3
CORNER REINFORCING DETAIL
ABOVE BRIDGE SEAT**



ABUTMENT NO. 2 ELEVATION



**WINGWALL NO. 3
CORNER REINFORCING DETAIL
BELOW BRIDGE SEAT**



NOTE:
NF = NEAR FACE
FF = FAR FACE
EF = EACH FACE
▲ = CUT TO FIT IN FIELD
80 CLR. UNLESS OTHERWISE SPECIFIED ON THE PLANS.

ABUTMENT NO. 2 DETAILS

PROJECT NAME:	LYNDON	FILE NAME:	85e04\structures\se04lab2.j	PLOT DATE:	29-NOV-2005
PROJECT NUMBER:	BRS 0269 (8)S	PROJECT MANAGER:	R. R. WHYCOMB	DRAWN BY:	L. BULLOCK
		DESIGNED BY:	S. SCRIBNER	CHECKED BY:	S. SCRIBNER
				SHEET	45 OF 68