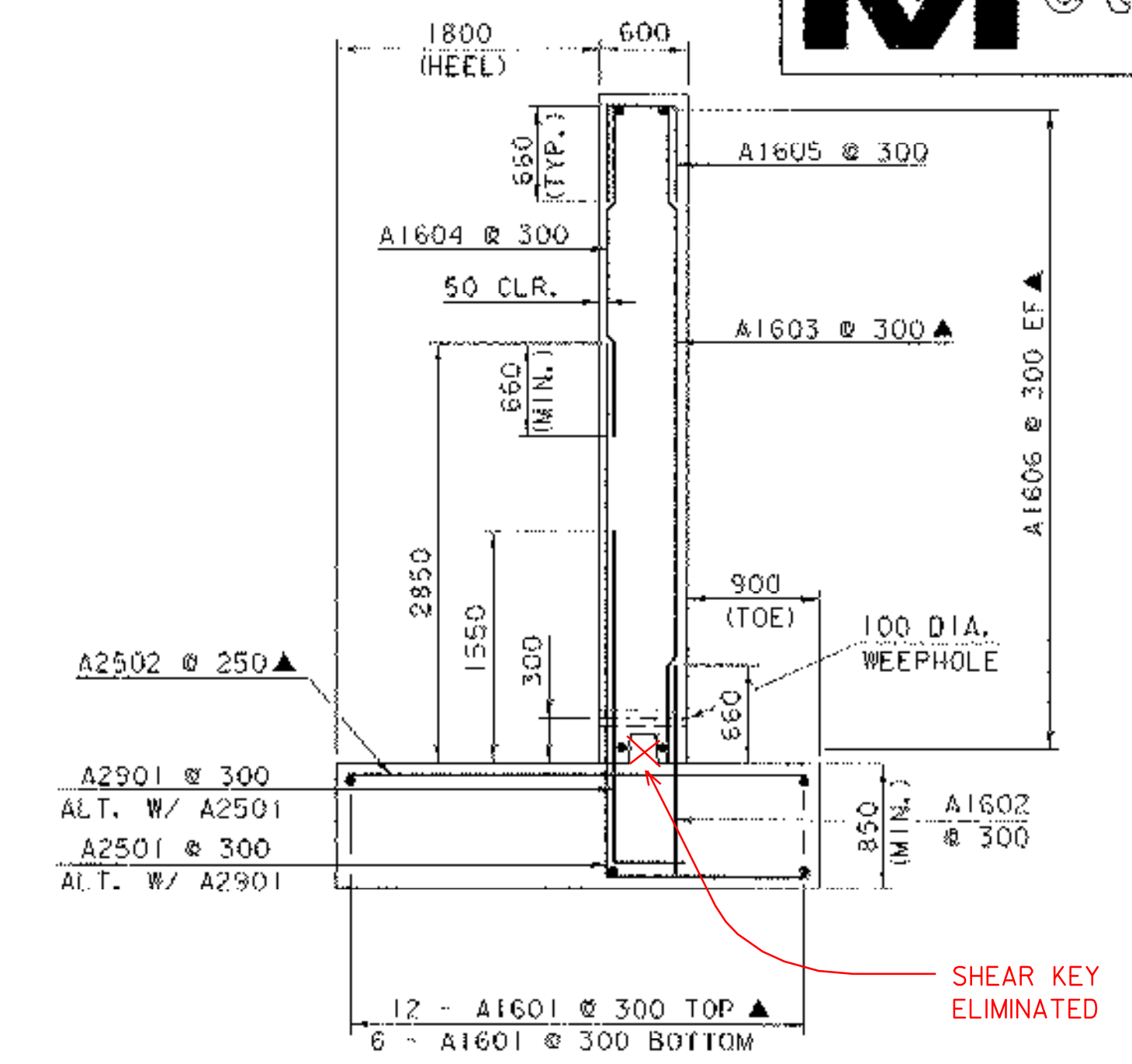
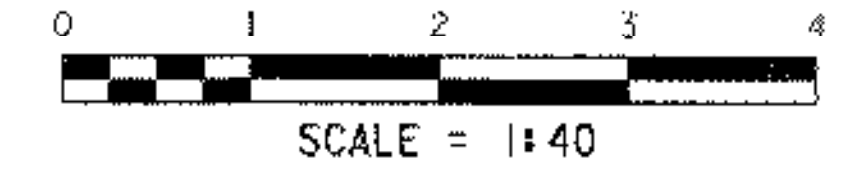
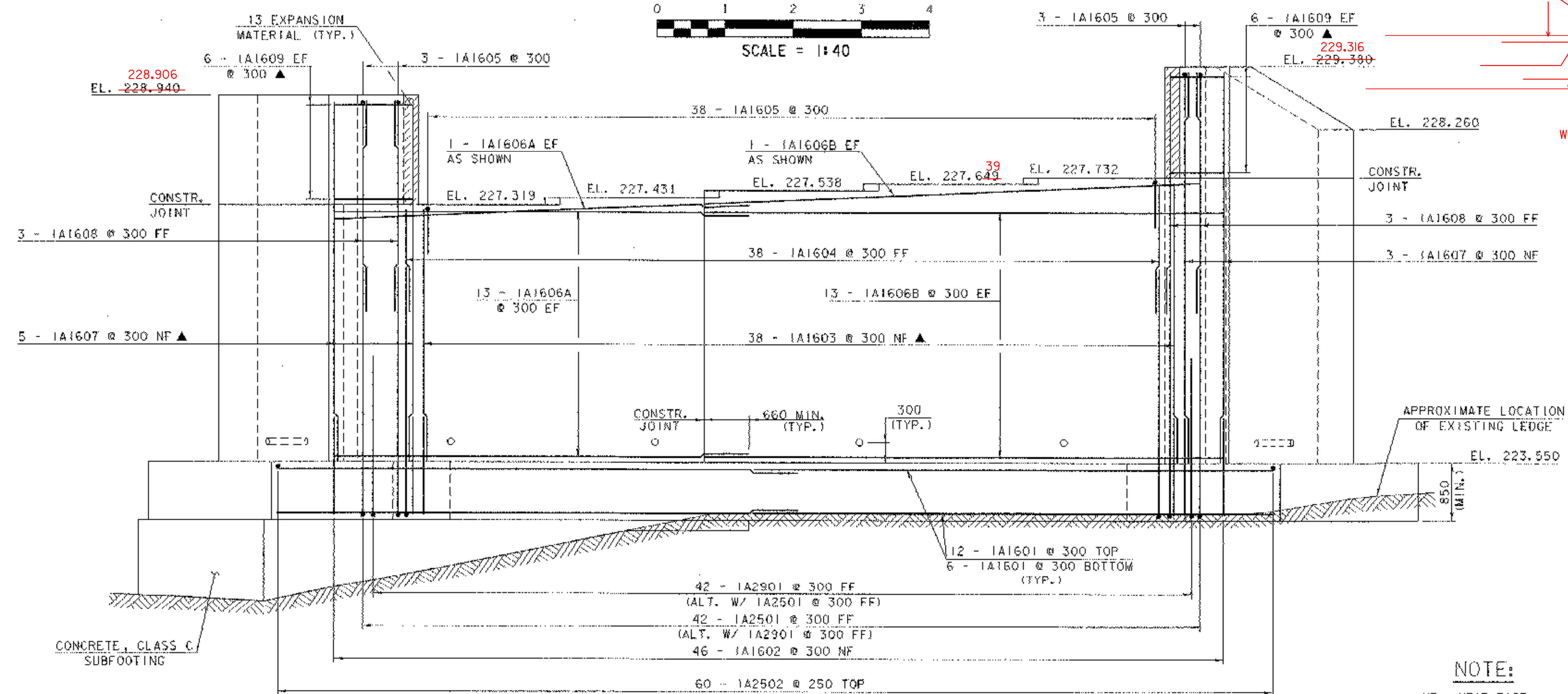
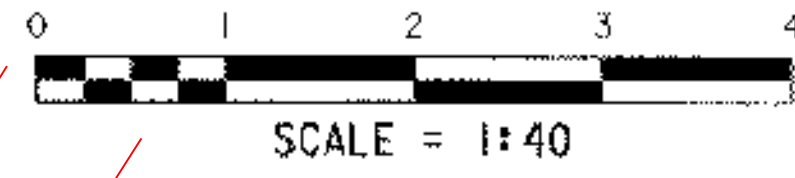


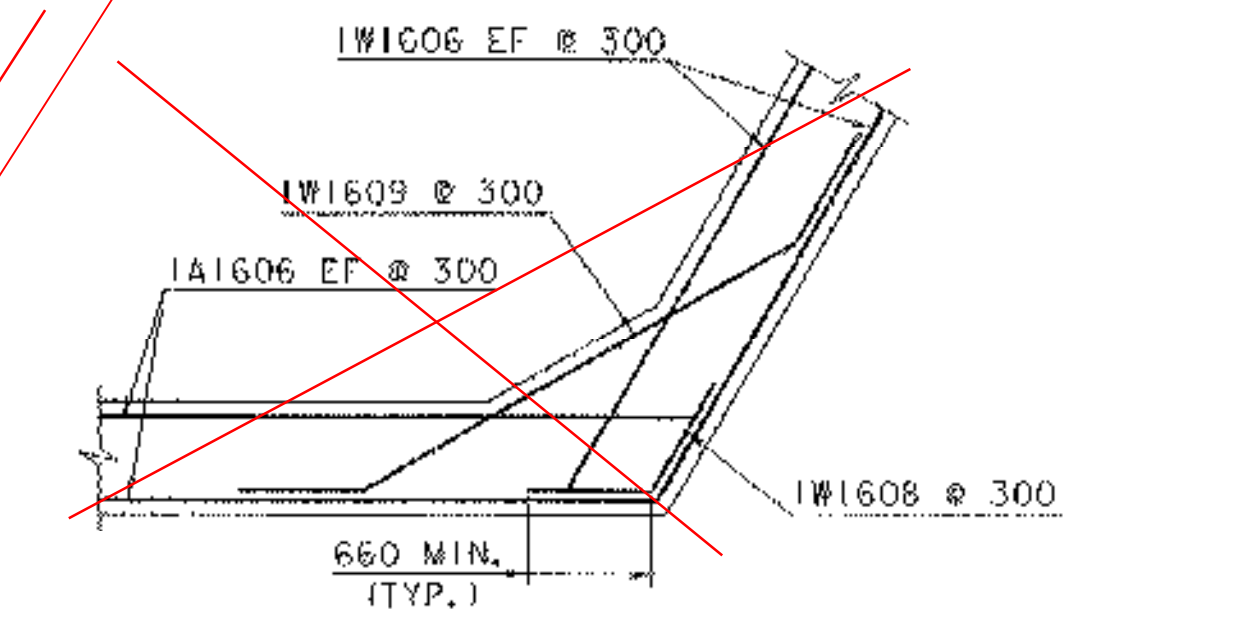
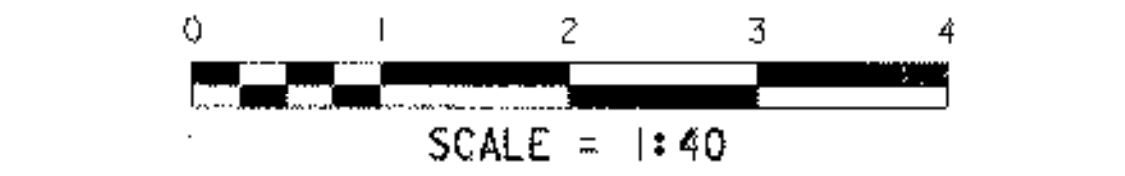
**ABUTMENT NO. 1 PLAN**



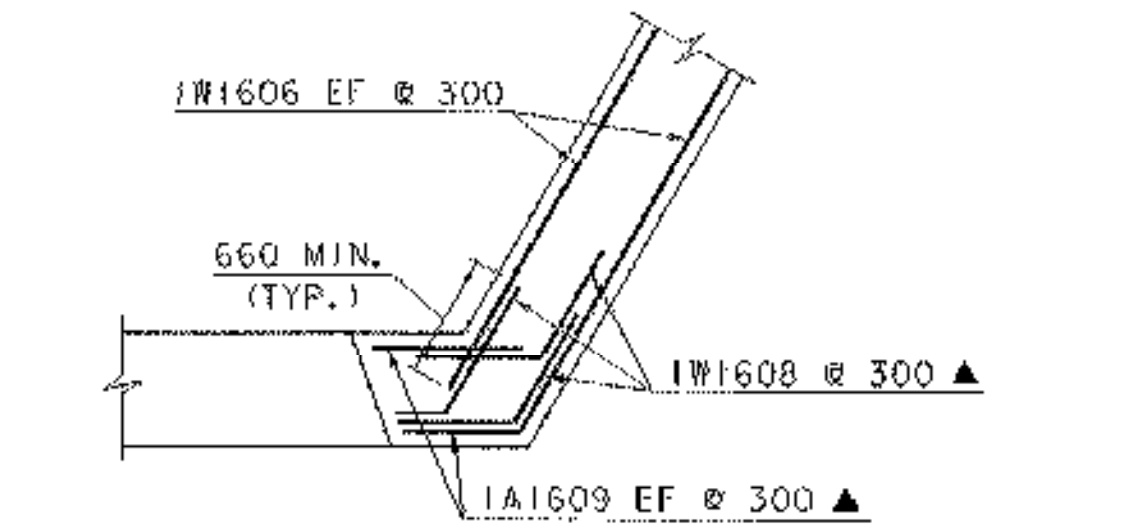
**ABUTMENT TYPICAL**



**ABUTMENT NO. 1 ELEVATION**

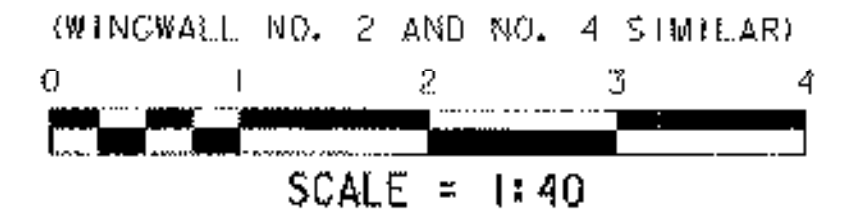


**BELOW BRIDGE SEAT (SEE W.O. #1)**



**ABOVE BRIDGE SEAT**

**WINGWALL NO. 1 CORNER REINFORCING DETAILS**



**NOTE:**

- NF = NEAR FACE
- FF = FAR FACE
- EF = EACH FACE
- ▲ = CUT TO FIT IN FIELD
- 80 CLR. UNLESS OTHERWISE SPECIFIED ON THE PLANS.

**ABUTMENT NO. 1 DETAILS**

|                                      |                         |
|--------------------------------------|-------------------------|
| PROJECT NAME: LYNDON                 | PLOT DATE: 29-NOV-2005  |
| PROJECT NUMBER: BRS 0269 (8)         | DRAWN BY: L. BULLOCK    |
| FILE NAME: 85e04NStructures\se04fab1 | CHECKED BY: S. SCRIBNER |
| PROJECT MANAGER: H. R. WHITCOMB      | SHEET 44 OF 68          |
| DESIGNED BY: S. SCRIBNER             |                         |