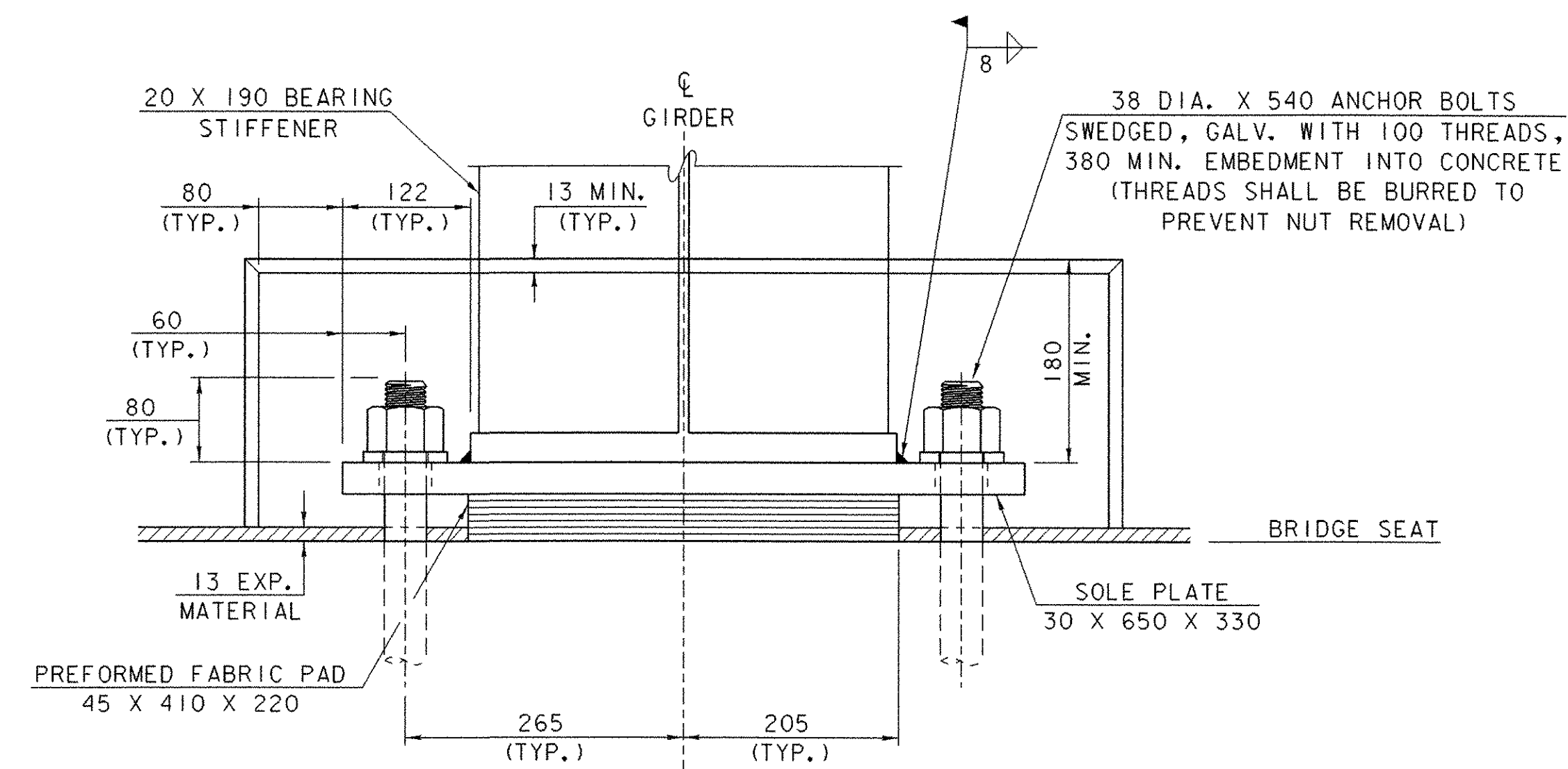
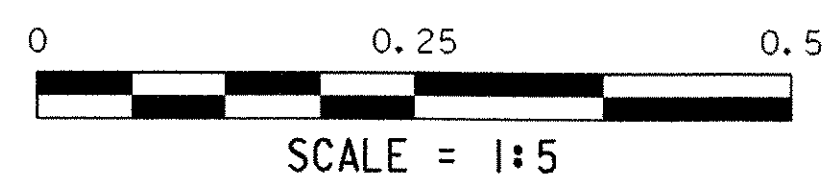
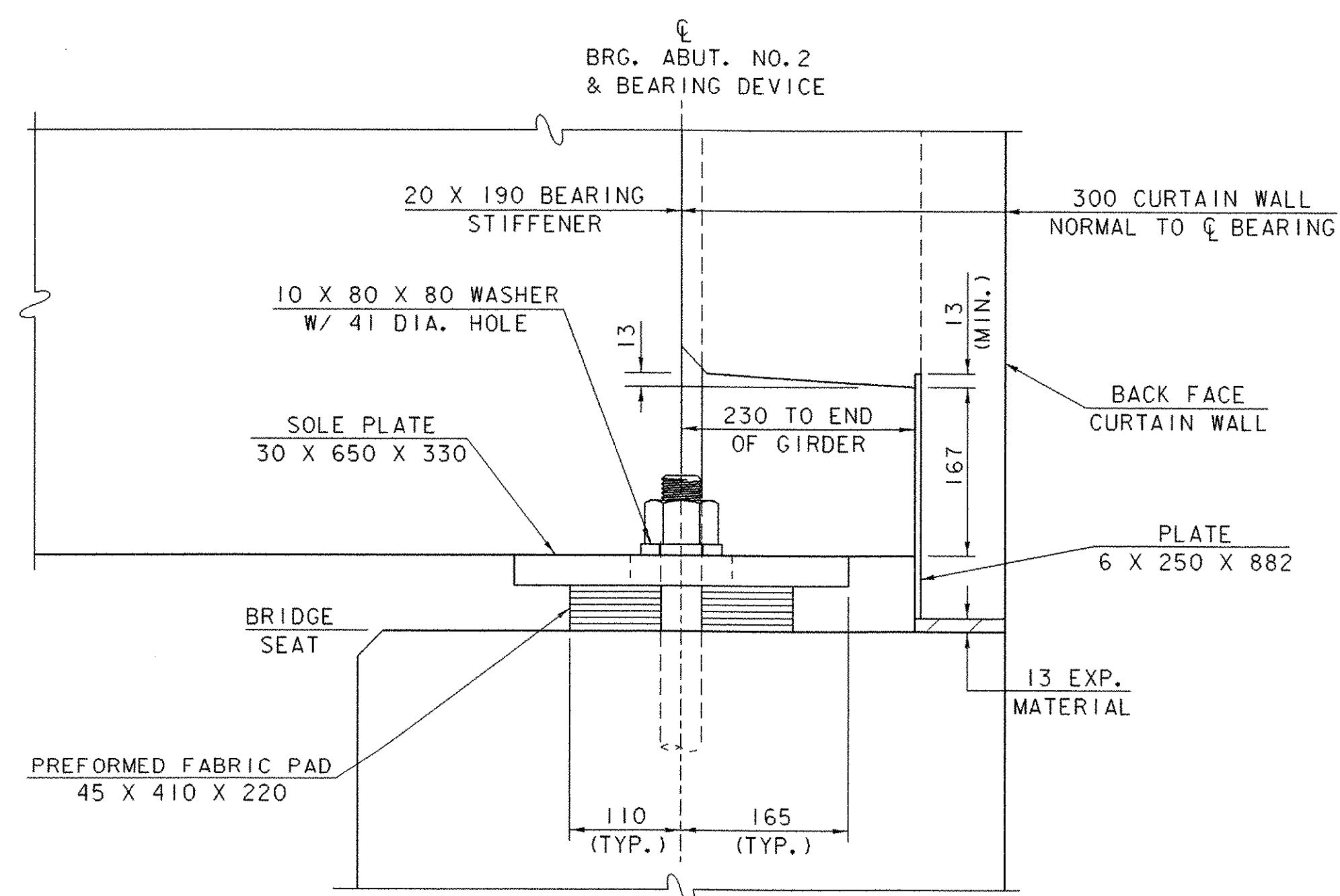
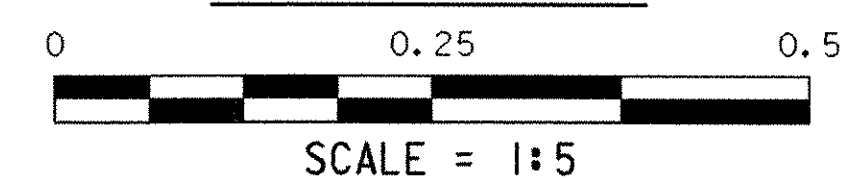


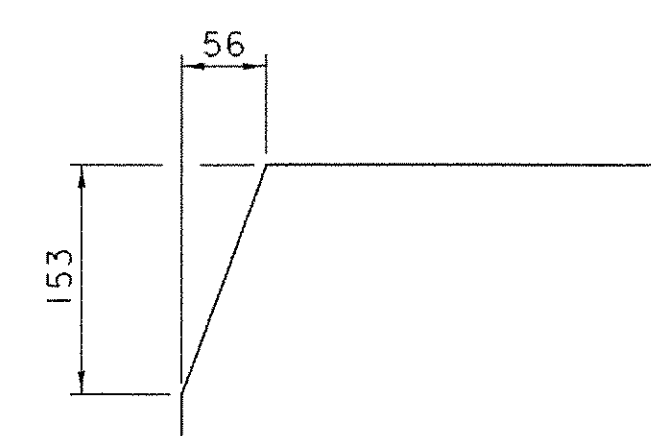
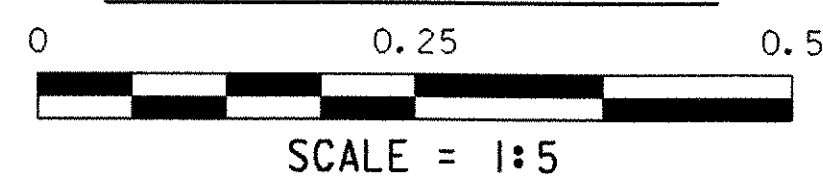
PLAN



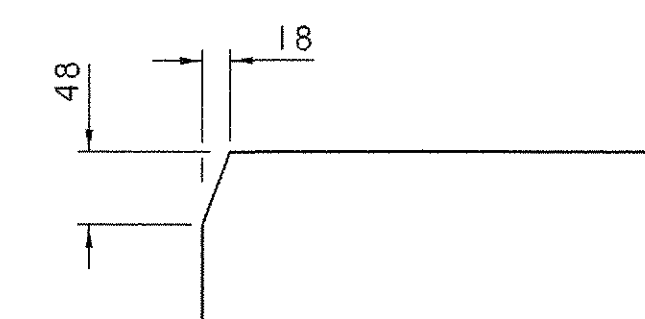
FRONT VIEW



SIDE ELEVATION

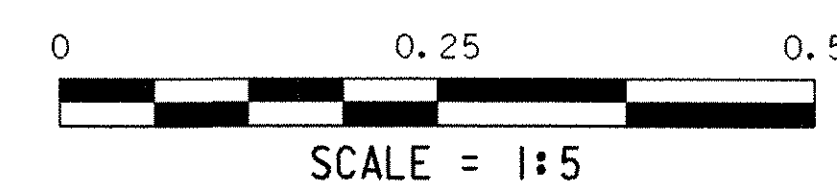


SOLE PLATE



STAINLESS STEEL

BEARING CLIP DETAILS



FIXED BEARING DETAILS

PROJECT NAME: LYNDON	PLOT DATE: 29-NOV-2005
PROJECT NUMBER: BRS 0269 (8)S	DRAWN BY: L. BULLOCK
FILE NAME: 85e04\Structures\se04ibr2.1	CHECKED BY: S. SCRIBNER
PROJECT MANAGER: R. R. WHITCOMB	SHEET 41 OF 68
DESIGNED BY: S. SCRIBNER	