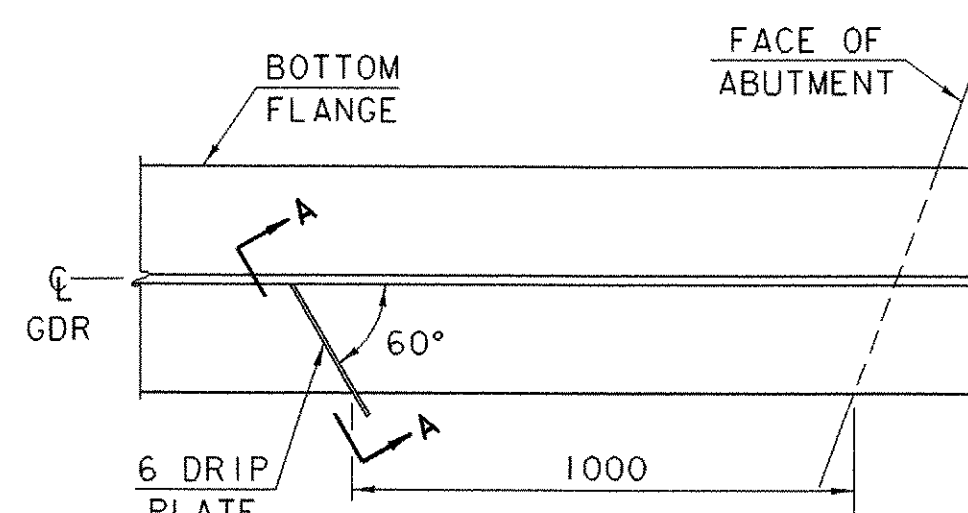
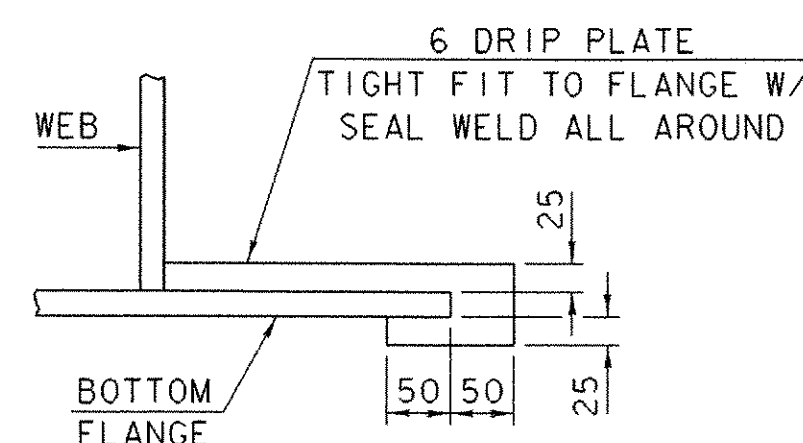


NOTE: CAMBER AND DEFLECTION MEASUREMENTS ARE GIVEN IN MILLIMETERS AT TENTH POINTS. MEASUREMENTS INCLUDE GIRDER SELF-WEIGHT.



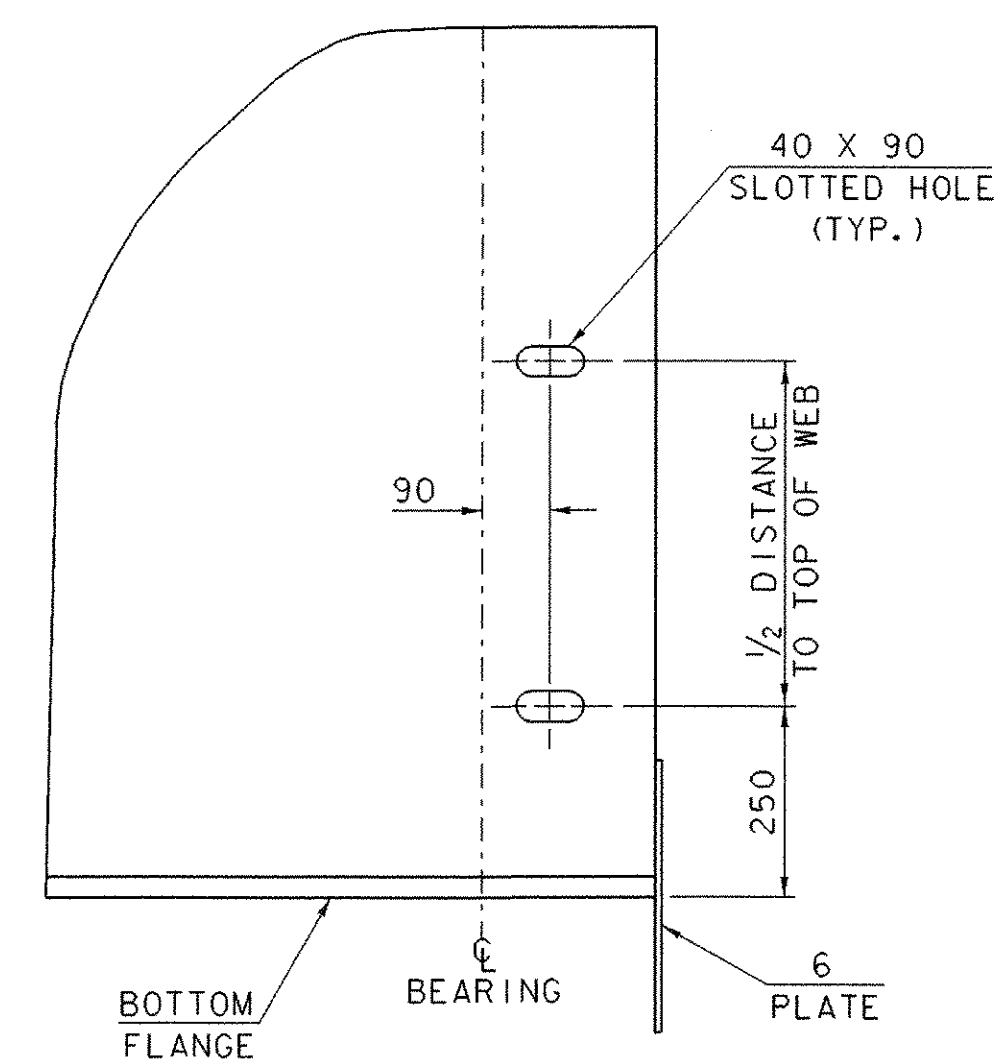
DRIP PLATE PLAN



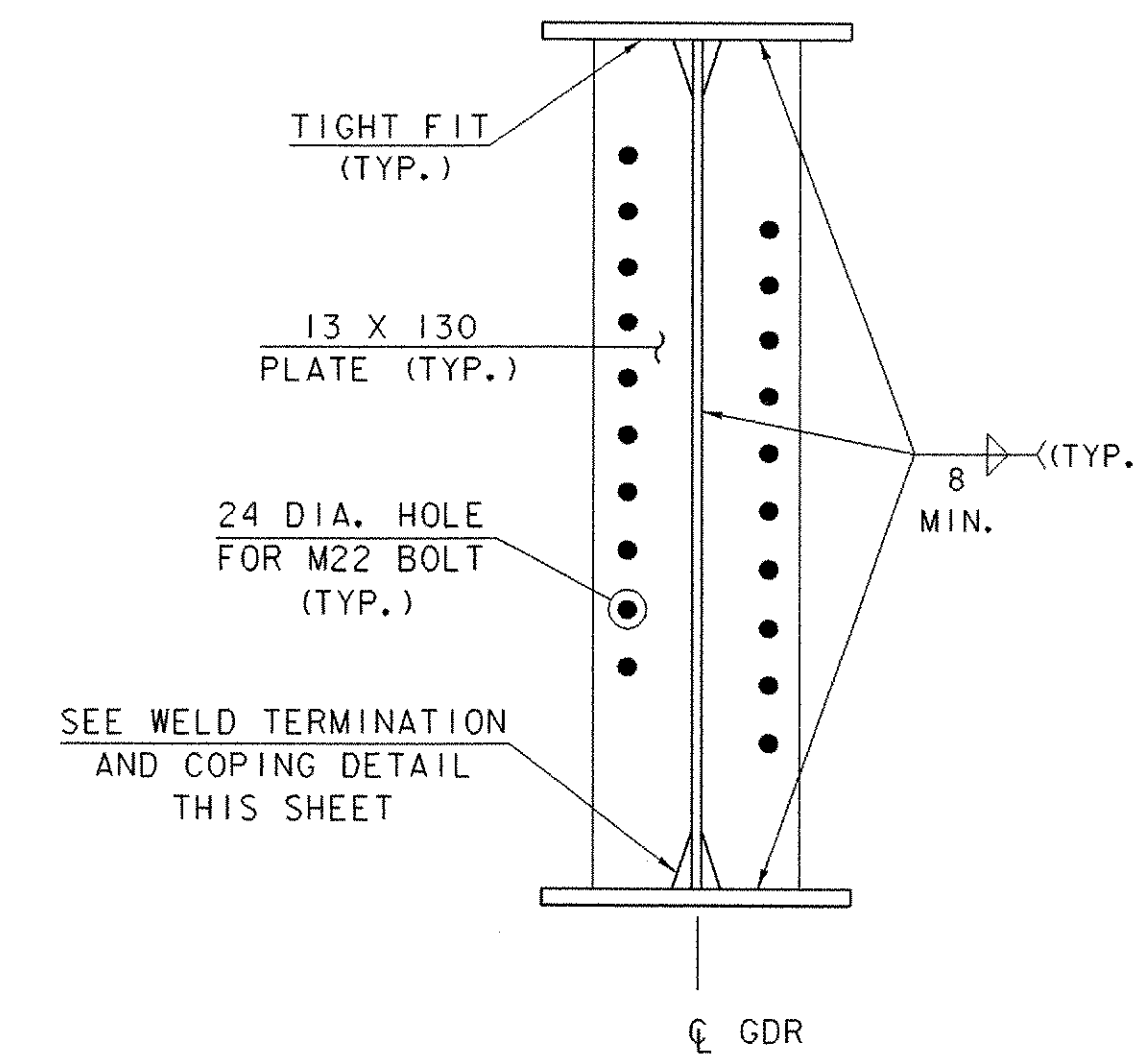
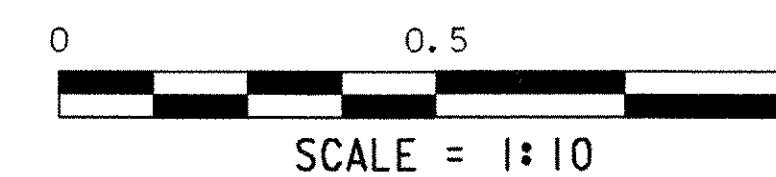
SECTION A-A

NOTE: DRIP PLATES SHALL BE PLACED ON OUTSIDE EDGE OF FASCIA GIRDERS AS SHOWN IN FRAMING PLAN.

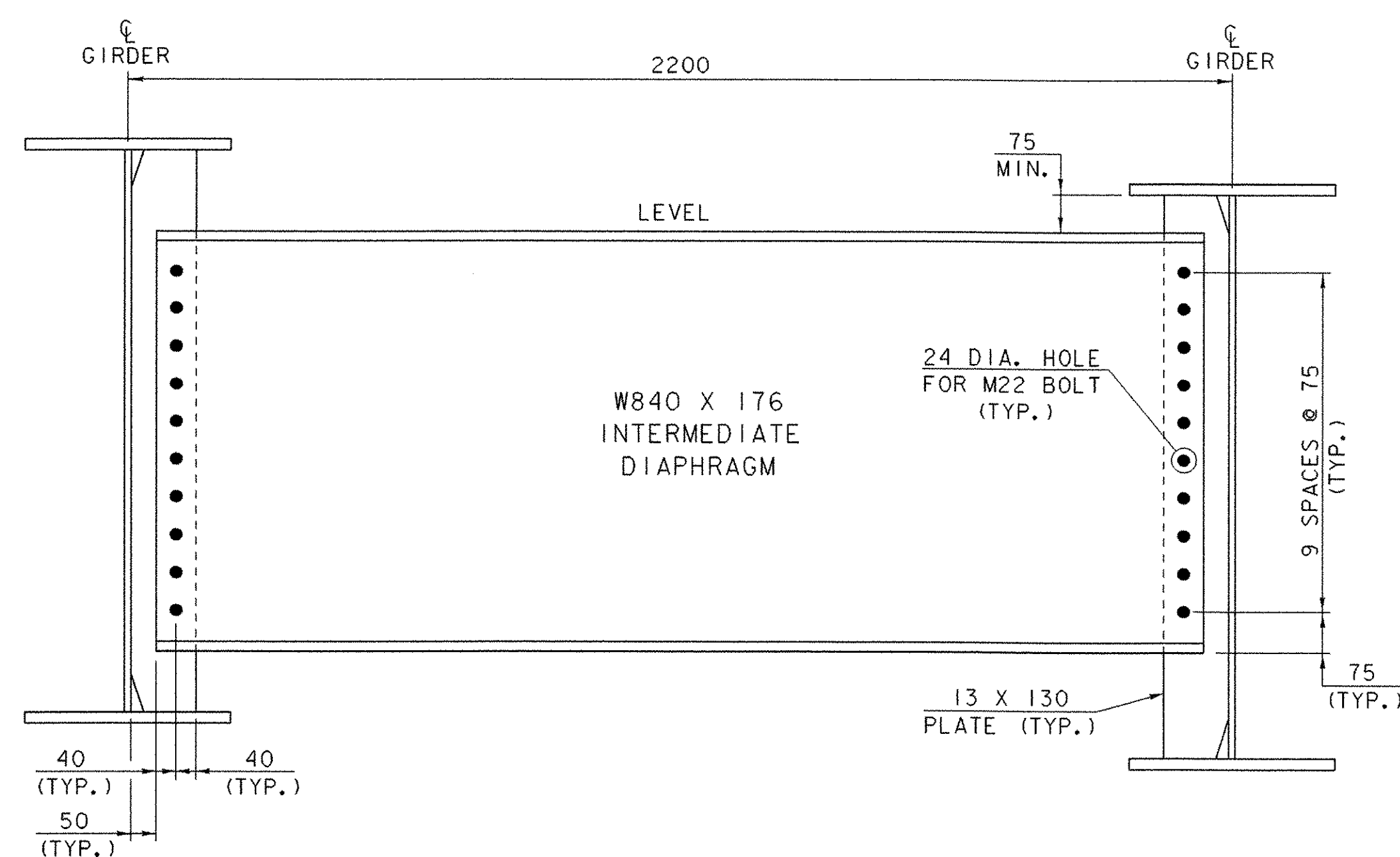
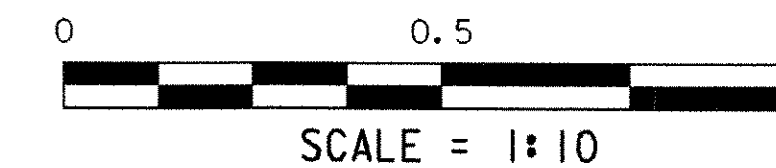
NOT TO SCALE



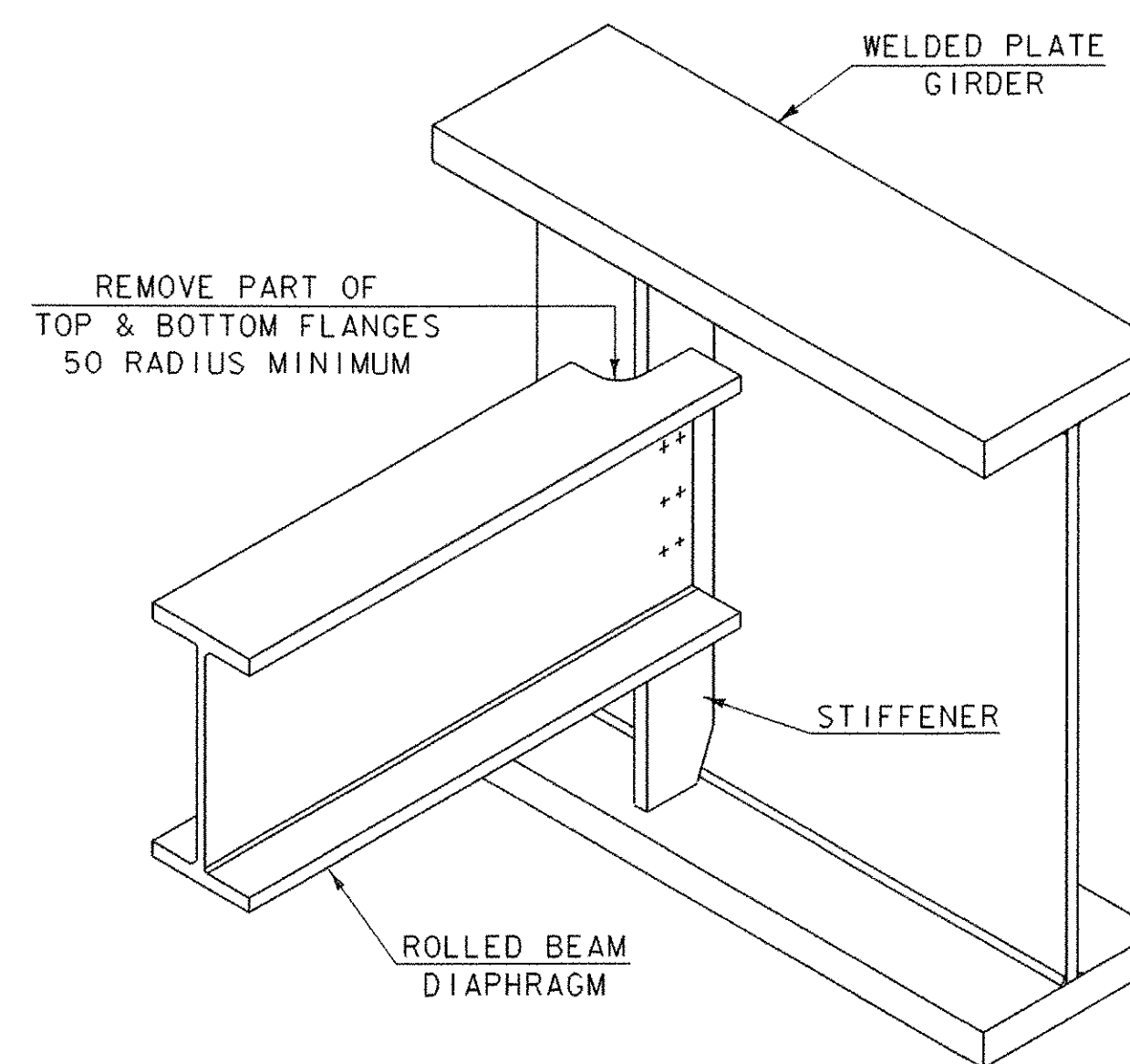
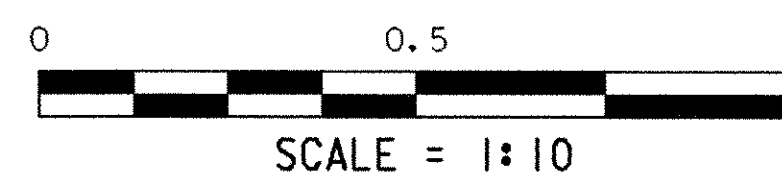
ELEVATION VIEW END OF GIRDER AT ABUTMENT



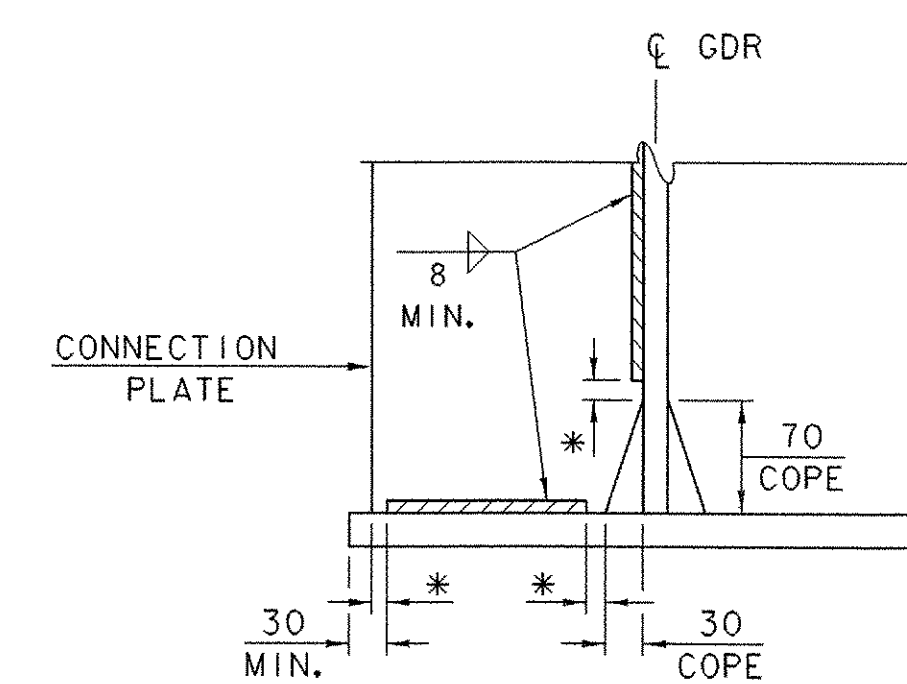
INTERMEDIATE DIAPHRAGM CONNECTION PLATE DETAIL



INTERMEDIATE DIAPHRAGM



SEE THIS SHEET FOR SIZES OF MEMBERS AND CONNECTION DETAILS
ROLLED BEAM USED AS DIAPHRAGM
NOT TO SCALE



WELD TERMINATION AND COPING DETAIL FOR WELDED PLATE GIRDERS
NOT TO SCALE

* NO WELD FOR 6 MIN., 13 MAX. (EXCEPT MUST MAINTAIN 30 MIN. FROM EDGE OF FLANGE)

STRUCTURAL STEEL DETAILS

| | |
|--|-------------------------|
| PROJECT NAME: LYNDON | PLOT DATE: 29-NOV-2005 |
| PROJECT NUMBER: BRS 0269(8)S | DRAWN BY: L. BULLOCK |
| FILE NAME: 85e04\structures\se04ifr2.i | CHECKED BY: S. SCRIBNER |
| PROJECT LEADER: R.R. WHITCOMB | SHEET 36 OF 68 |
| DESIGNED BY: S. SCRIBNER | |