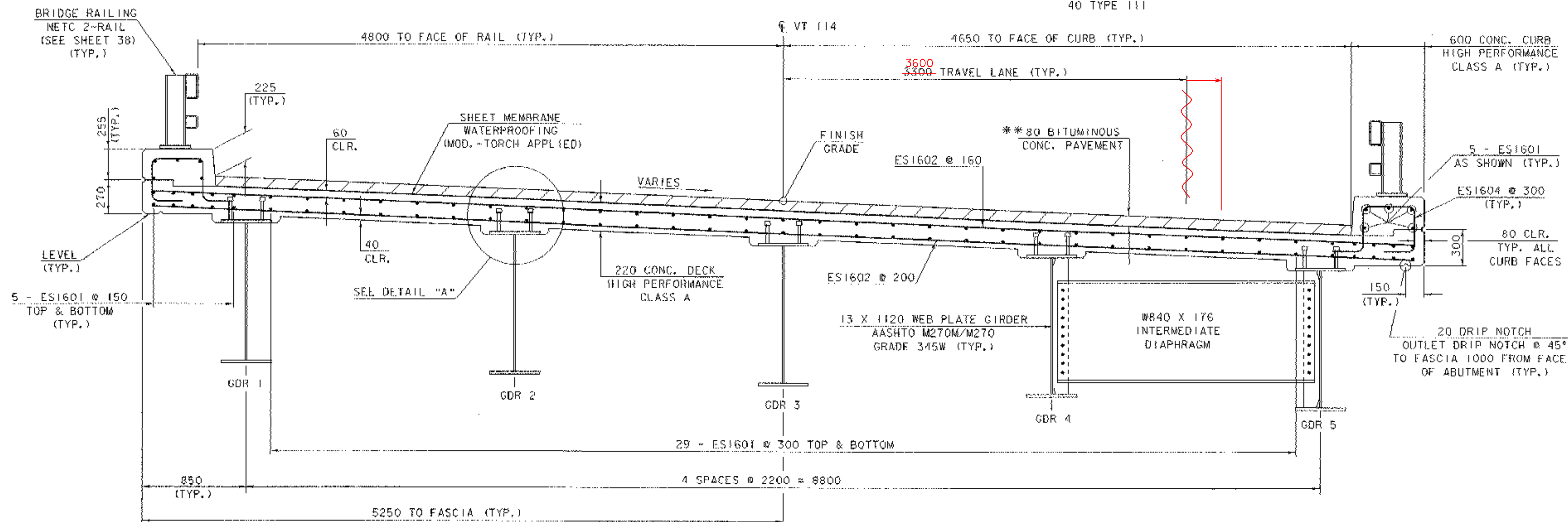
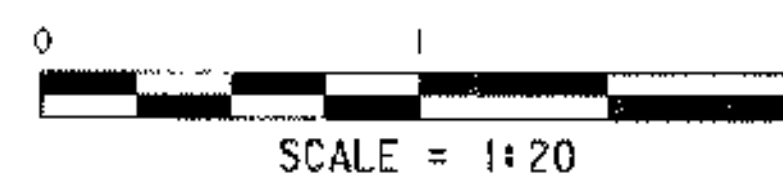


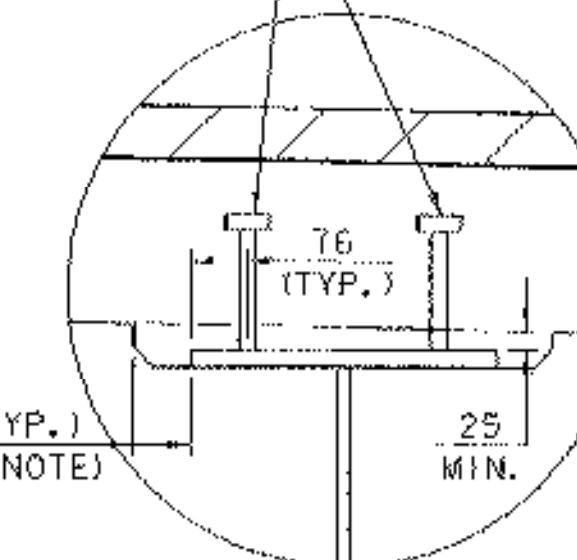
\*\* 40 TYPE 111 OVER  
40 TYPE 111



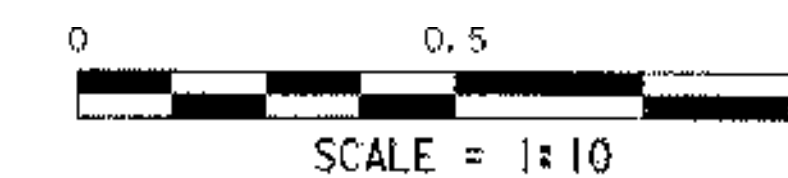
BRIDGE TYPICAL SECTION



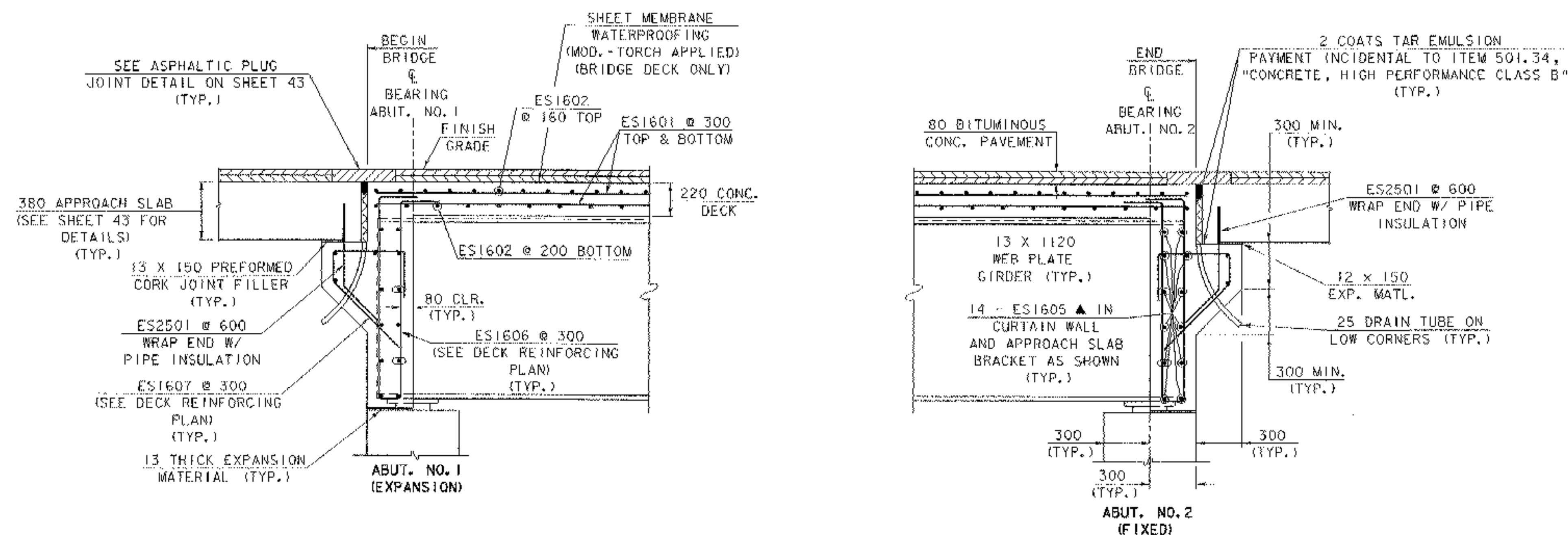
2 ROWS 22 DIA. X 180  
WELDED STUDS  
(SEE SHEET 35)



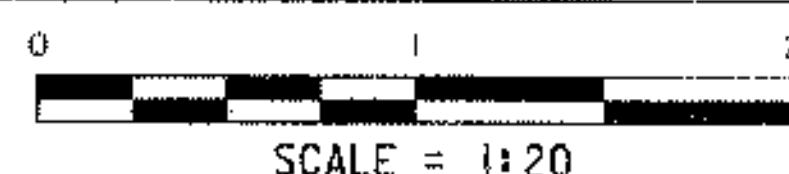
DETAIL "A"



NOTE: THE 75 HORIZONTAL SECTION MAY BE ELIMINATED FOR FORMING SYSTEMS DESIGNED FOR THE CONSTRUCTION OF VERTICAL HAUNCHES. SYSTEMS SHALL BE SUBMITTED FOR APPROVAL TO THE STRUCTURES ENGINEER. ALL VOIDS SHALL BE FILLED WITH MORTAR, TYPE IV OR AN EQUIVALENT PRODUCT FROM THE APPROVED PRODUCTS LIST.



ABUTMENT END DETAIL  
(NORMAL TO CL BEARING)



BRIDGE DECK DETAILS

PROJECT NAME:	LYNDON	PLOT DATE:	29-NOV-2005
PROJECT NUMBER:	BRS 0269(8)S	DRAWN BY:	L. BULLOCK
FILE NAME:	85e041\structures\85e041ty2.i	CHECKED BY:	S. SCRIBNER
PROJECT MANAGER:	R. R. WHITCOMB	SHEET	33 OF 68