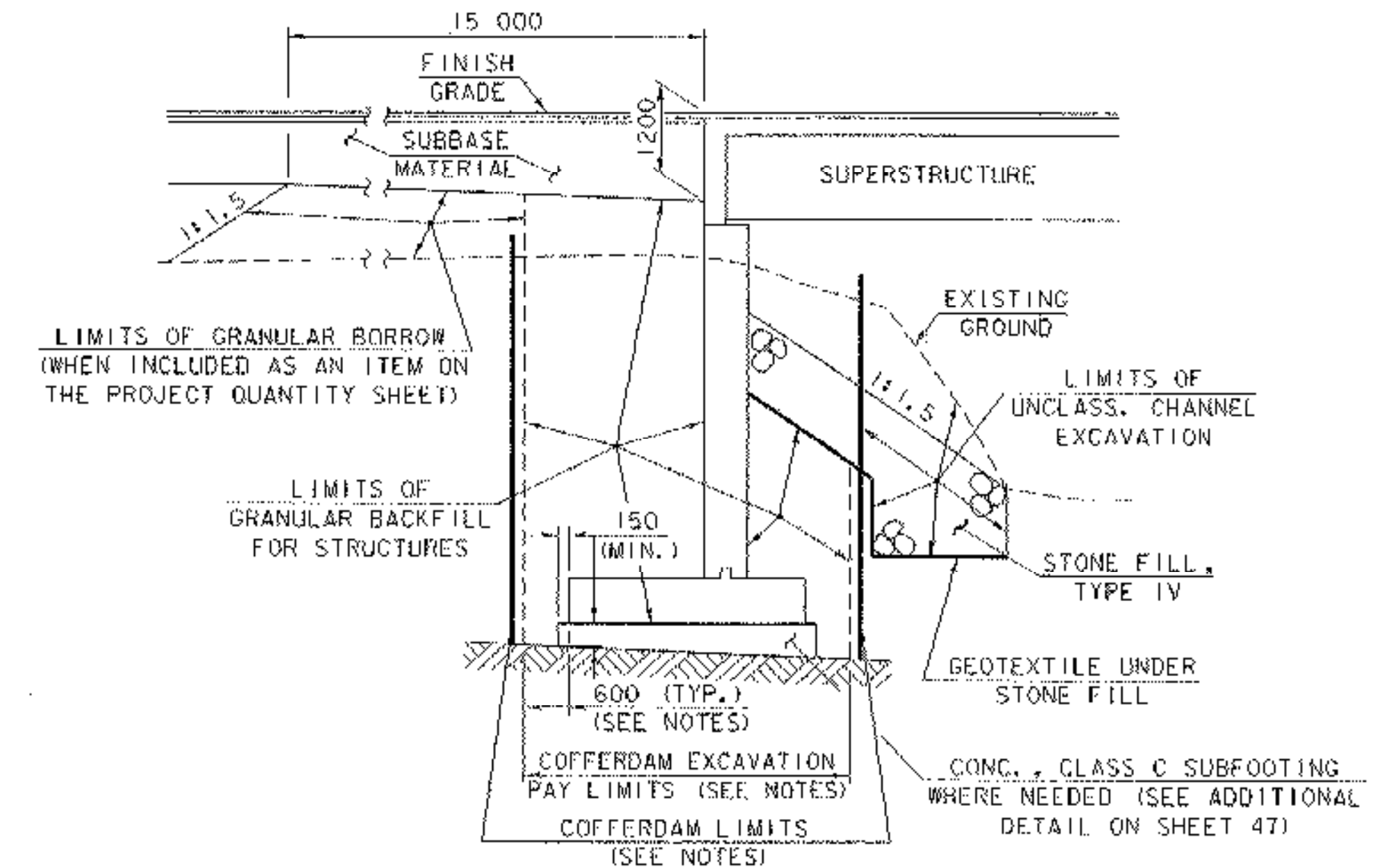
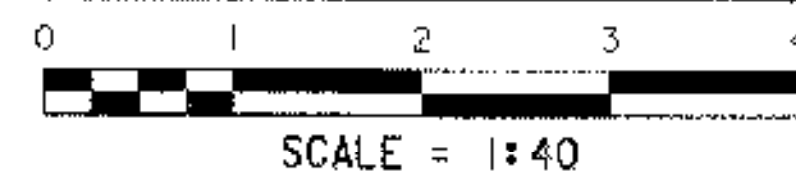


**BRIDGE TYPICAL SECTION**

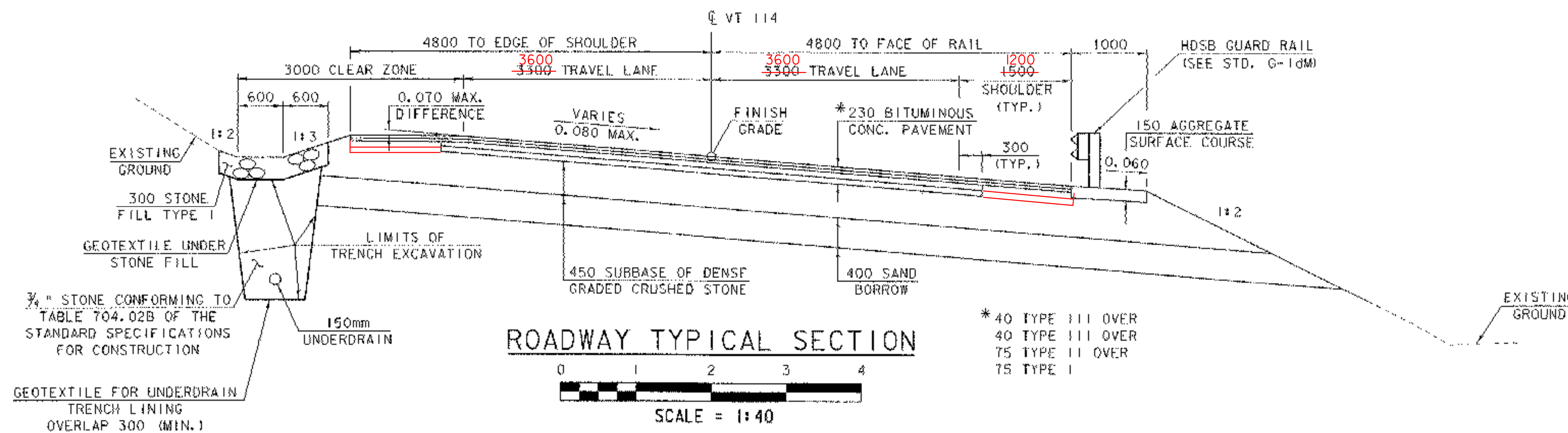


**ABUTMENT TYPICAL SECTION**

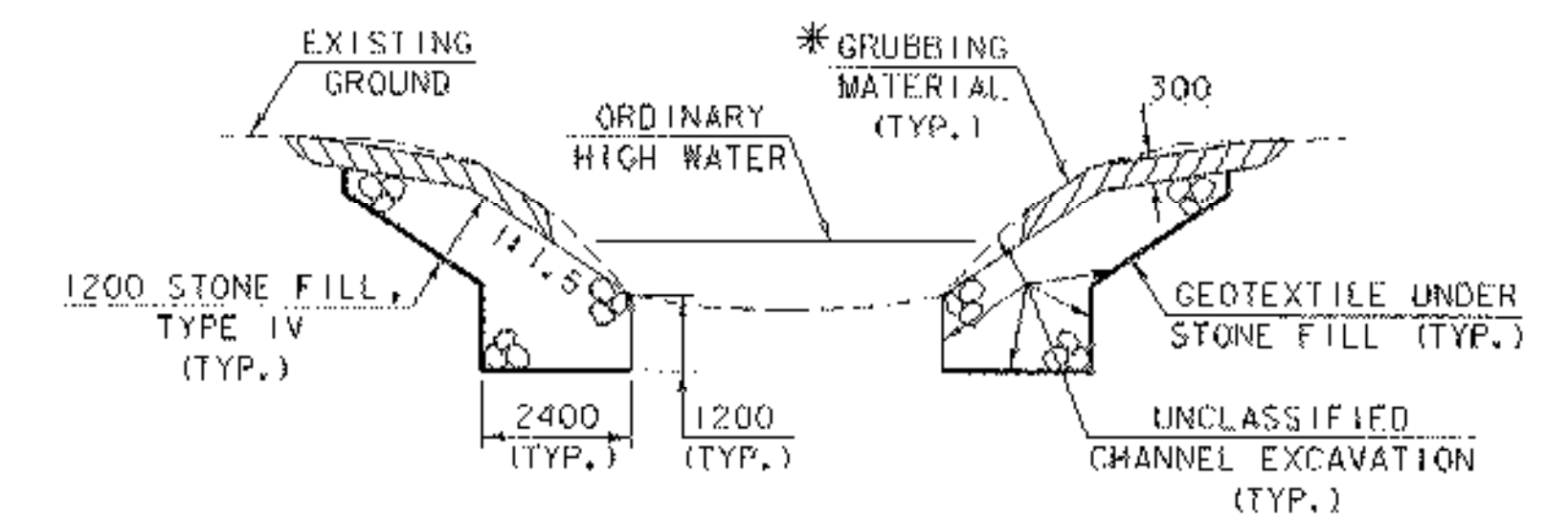
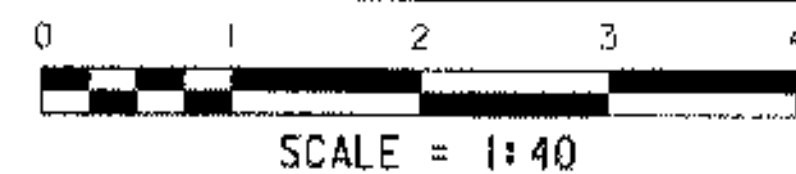
(NOT TO SCALE)

**NOTES**

1. COFFERDAM LIMITS TO BE DETERMINED BY THE CONTRACTOR.
2. THE PAY LIMITS OF COFFERDAM EXCAVATION, "EARTH" AND "COFFERDAM EXCAVATION, ROCK" SHALL BE 600 OUTSIDE THE PERIMETER OF THE FOOTING, UP TO EXISTING GROUND OR BOTTOM OF SUBBASE, WHICHEVER IS LOWER.
3. IF A COFFERDAM IS CONSTRUCTED WHICH IS LARGER THAN THE INDICATED COFFERDAM EXCAVATION PAY LIMITS, PAYMENT FOR ALL UNCLASSIFIED CHANNEL EXCAVATION, INCLUDING THAT PORTION WHICH IS INSIDE THE COFFERDAM BUT OUTSIDE THE COFFERDAM EXCAVATION PAY LIMITS, WILL BE MADE AT THE CONTRACT UNIT PRICE FOR UNCLASSIFIED CHANNEL EXCAVATION.



**ROADWAY TYPICAL SECTION**



**CHANNEL TYPICAL SECTION**

(NOT TO SCALE)

\* GRUBBING MATERIAL SHALL NOT BE PLACED ON THE STONE FILL IN THE AREA UNDER THE BRIDGE. WHENEVER CHANNEL SLOPE INTERSECTS ROADWAY SUBBASE, GRUBBING MATERIAL SHALL BEGIN AT THE BOTTOM OF SUBBASE.

| MATERIAL ITEM            | TOLERANCE              |
|--------------------------|------------------------|
| PAVEMENT SURFACE COURSE  | ±5 mm TOTAL THICKNESS  |
| AGGREGATE SURFACE COURSE | ±10 mm                 |
| PAVEMENT BASE COURSE     | ±10 mm TOTAL THICKNESS |
| SUBBASE                  | ±30 mm                 |
| SAND BORROW              | ±30 mm                 |
| GRANULAR BORROW          | ±30 mm                 |

**PROJECT TYPICAL SECTIONS**

|                 |               |                  |                            |             |               |
|-----------------|---------------|------------------|----------------------------|-------------|---------------|
| PROJECT NAME:   | LYNDON        | FILE NAME:       | 85e04\Structures\sc04\tp.i | PLOT DATE:  | 29-NOV-2005   |
| PROJECT NUMBER: | BRS 0269 (8)S | PROJECT MANAGER: | R. R. WHITCOMB             | DRAWN BY:   | G. ROY        |
|                 |               | DESIGNED BY:     | S. SCRIBNER                | CHECKED BY: | M. LOZIER     |
|                 |               |                  |                            |             | SHEET 3 OF 68 |