

QTY ~ INT CROSSFRAMES ~ MARK

MARK	QTY	(DROP)	(A)	(B)	(C)	(D)	(E)	(F)
7CF1	12	141	2051	2238	2660	2847	g7	k7
7CF2	9	146	2048	2242	2657	2850	h7	m7
7CF3	4	132	2057	2232	2666	2841	n7	p7
7CF4	3	136	2054	2235	2663	2843	s7	t7

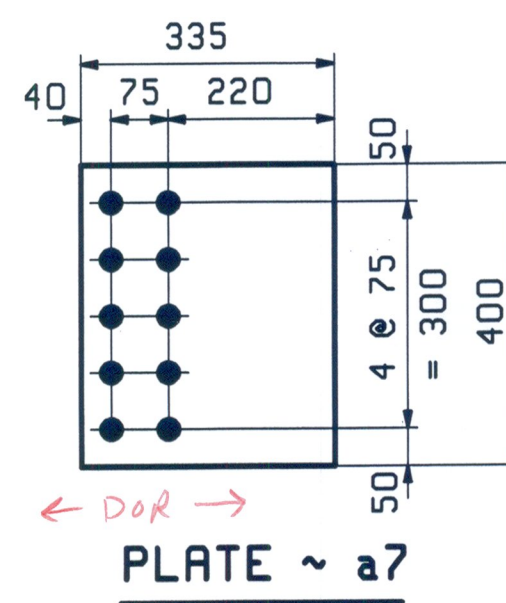


PLATE ~ a7

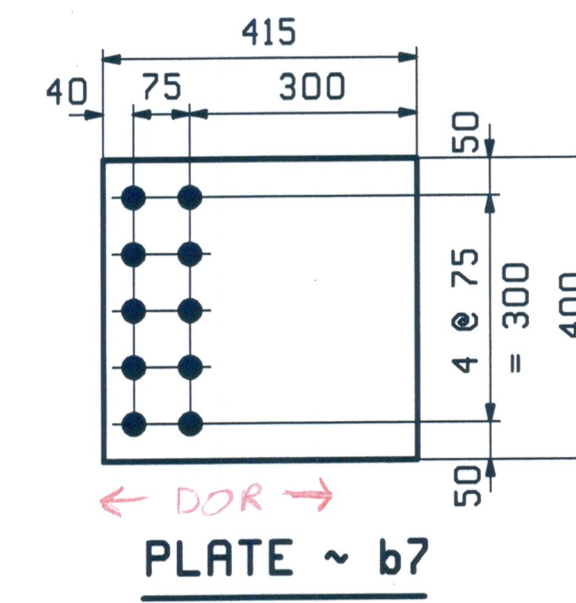


PLATE ~ b7

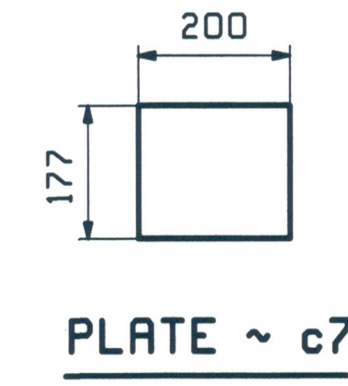
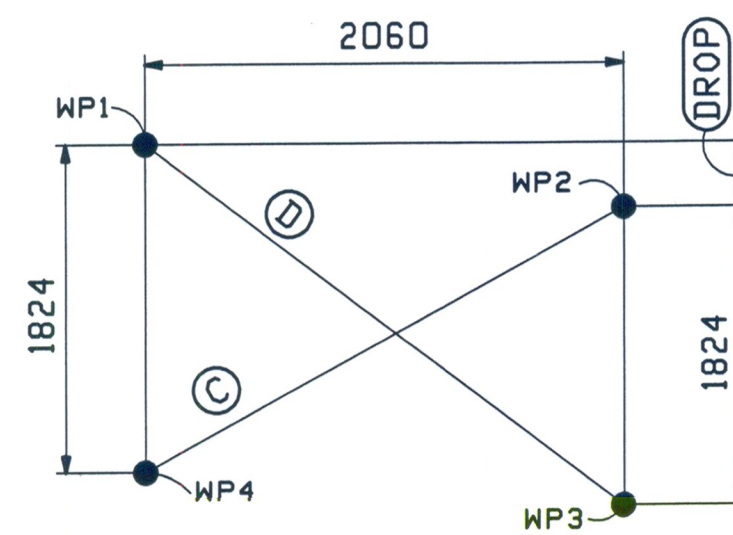


PLATE ~ c7



CHECK DIMENSIONS

ABM INFO		SHIP	BILL OF MATERIAL				JOB NO.	DRAWING NO.	REV.
PAGE	LINE	MARK	QTY	MARK	MATERIAL	LENGTH	REMARKS	WT	PROCUREMENT NOTES
		7CF1	12		INT CROSSFRAMES			259 kg 570 lbs	
4	M	24	a7	PL 14x400	0	335	M270M-345HT2		
4	P	24	b7	PL 14x400	0	415	M270M-345HT2		
4	R	12	c7	PL 14x177	0	200	M270M-345HT2		
4	H	12	d7	L 127x127x12.5	1	766	M270M-345HT2		
4	H	12	f7	L 127x127x12.5	1	776	M270M-345HT2		
4	J	12	g7	L 127x127x12.5	2	051	M270M-345HT2		
4	K	12	k7	L 127x127x12.5	2	238	M270M-345HT2		
		7CF2	9		INT CROSSFRAMES			259 kg 570 lbs	
4	M	18	a7	PL 14x400	0	335	M270M-345HT2		
4	P	18	b7	PL 14x400	0	415	M270M-345HT2		
4	R	9	c7	PL 14x177	0	200	M270M-345HT2		
4	H	9	d7	L 127x127x12.5	1	766	M270M-345HT2		
4	H	9	f7	L 127x127x12.5	1	776	M270M-345HT2		
4	J	9	h7	L 127x127x12.5	2	048	M270M-345HT2		
4	K	9	m7	L 127x127x12.5	2	242	M270M-345HT2		
		7CF3	4		INT CROSSFRAMES			259 kg 570 lbs	
4	M	8	a7	PL 14x400	0	335	M270M-345HT2		
4	P	8	b7	PL 14x400	0	415	M270M-345HT2		
4	R	4	c7	PL 14x177	0	200	M270M-345HT2		
4	H	4	d7	L 127x127x12.5	1	766	M270M-345HT2		
4	H	4	f7	L 127x127x12.5	1	776	M270M-345HT2		
4	J	4	n7	L 127x127x12.5	2	057	M270M-345HT2		
4	K	4	p7	L 127x127x12.5	2	232	M270M-345HT2		
		7CF4	3		INT CROSSFRAMES			259 kg 570 lbs	
4	M	6	a7	PL 14x400	0	335	M270M-345HT2		
4	P	6	b7	PL 14x400	0	415	M270M-345HT2		
4	R	3	c7	PL 14x177	0	200	M270M-345HT2		
4	H	3	d7	L 127x127x12.5	1	766	M270M-345HT2		
4	H	3	f7	L 127x127x12.5	1	776	M270M-345HT2		
4	J	3	s7	L 127x127x12.5	2	054	M270M-345HT2		
4	K	3	t7	L 127x127x12.5	2	235	M270M-345HT2		

RECEIVED  
 CKD BY: HSE  
 DATE: 9/29/10  
 RESUBMIT APPROVED: [Signature]  
 BY: CPW DATE: 9/29/10

REV.	DATE	REMARKS	DWN	CHK	APVL	SHOP
0					AVG 30 2010	
MATERIAL:		SURFACE PREP. & PAINT:		HOLES:		SHOP BOLTS:
M270M-345HT2		SEE SHT GNI		24mm		
DESCRIPTION: INTERIOR CROSSFRAMES						
CASCO BAY STEEL STRUCTURES, INC.						
75 SPRING HILL ROAD			SACO, MAINE 04072			
PHONE (207) 282-7360			FAX. (207) 282-1179			
STRUCTURE: VT RTE 107 over STONEY BROOK			DRAWN:	DATE:		
BRIDGE 9			TG	08/10		
STOCKBRIDGE, VT			CHKD:	DATE:		
COUNTY of WINDSOR			SF	08/23/10		
LOCATION: STOCKBRIDGE, VT			JOB NO.	DWG NO.		
PROJ NO. BRF 022-1(20)			461	7		
CUSTOMER: AUSTIN CONSTRUCTION				REV. 1		