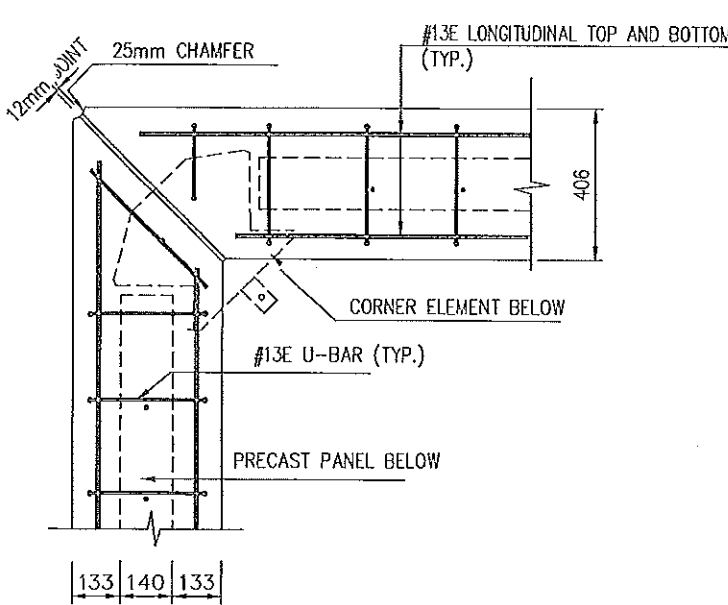
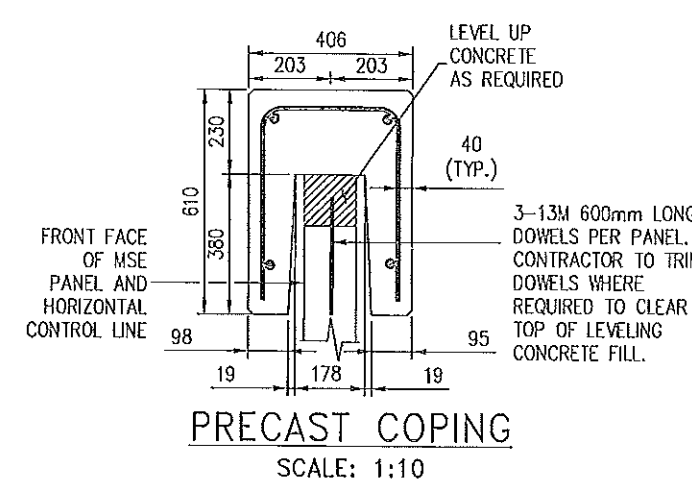


C.I.P. CONCRETE COPING SECTION  
TO MATCH PRECAST COPING  
SCALE: 1:10

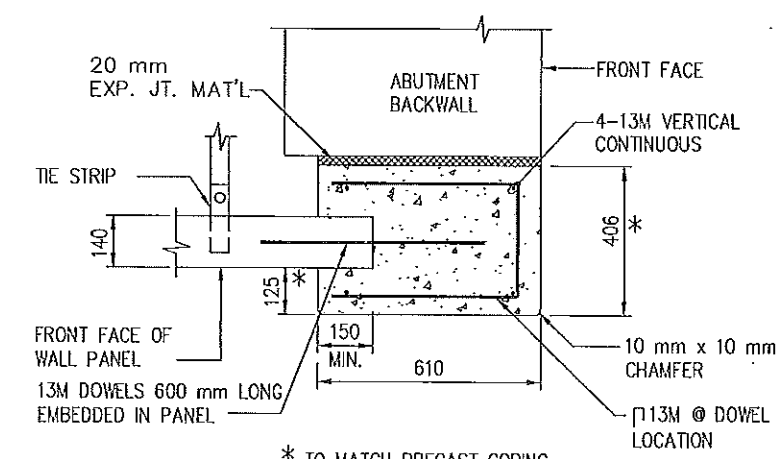


C.I.P. COPING - PARTIAL PLAN AT CORNERS  
SCALE: 1:10

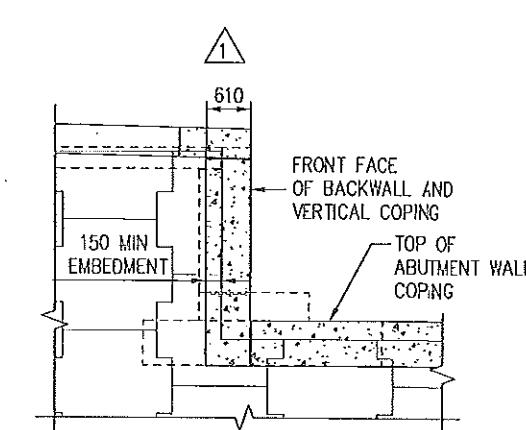


PRECAST COPING  
SCALE: 1:10

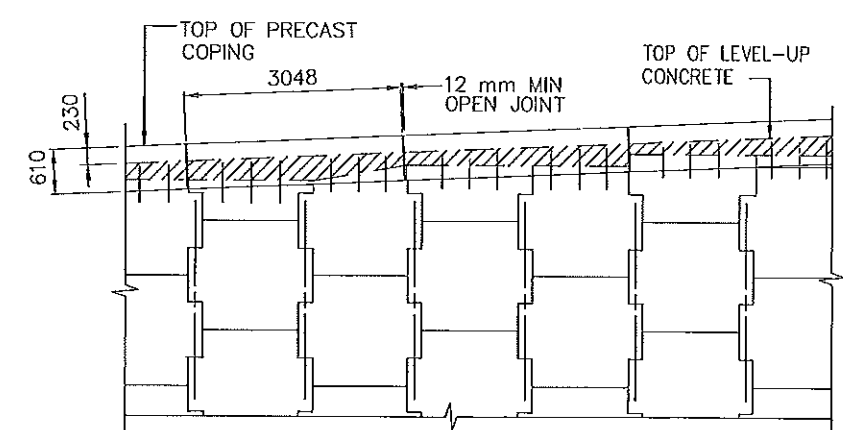
STANDARD COPING UNIT IS 3048mm WITH SQUARE ENDS.



C.I.P. CONCRETE VERTICAL COPING  
DETAIL  
SCALE: 1:10



C.I.P. CONCRETE VERTICAL COPING  
ELEVATION  
SCALE: 1:50



PRECAST COPING - PARTIAL ELEVATION  
SCALE: 1:50

RECEIVED  
CHKD BY [Signature] DATE 8/16/10  
RESUBMIT APPROVED [Signature]  
BY CPW DATE 8/26/10

ALL DIMENSIONS ARE IN MILLIMETERS  
UNLESS NOTED OTHERWISE



© REINFORCED EARTH, INC. 2010. ALL RIGHTS RESERVED. REINFORCED EARTH IS A REGISTERED TRADEMARK OF REINFORCED EARTH, INC.

This drawing contains information proprietary to the Reinforced Earth Company, and is being furnished for the use of VERMONT AGENCY OF TRANSPORTATION only in connection with this project, and the information contained is not to be transmitted to any other party without the express written permission of the Reinforced Earth Company. The Reinforced Earth Company is an exclusive licensee in the United States under patents issued to Henri Vidal, and the furnishing of this drawing does not constitute an expressed or implied license under the Vidal patents.

The design contained on these drawings is based on information provided by the owner. On the basis of this information, the Reinforced Earth Company has designed, and is responsible for the internal stability of the structure only. External stability, including foundation (bearing capacity and settlement) and slope stability (sliding and rotation), is the responsibility of the owner.

**REINFORCED EARTH**  
354 Woodland Center Drive, Verona, VA 20122 (508) 851-4115

REV.	DATE	DESCRIPTION	DESIGNED BY	PROJECT ENGINEER	PROJECT NAME	LOCATION	DATE
1	8/16/10	REVISE DIMENSION	LY	LY	VT ROUTE 107, BRIDGE 9	STOCKBRIDGE, VERMONT	07/16/2010
2							
3							