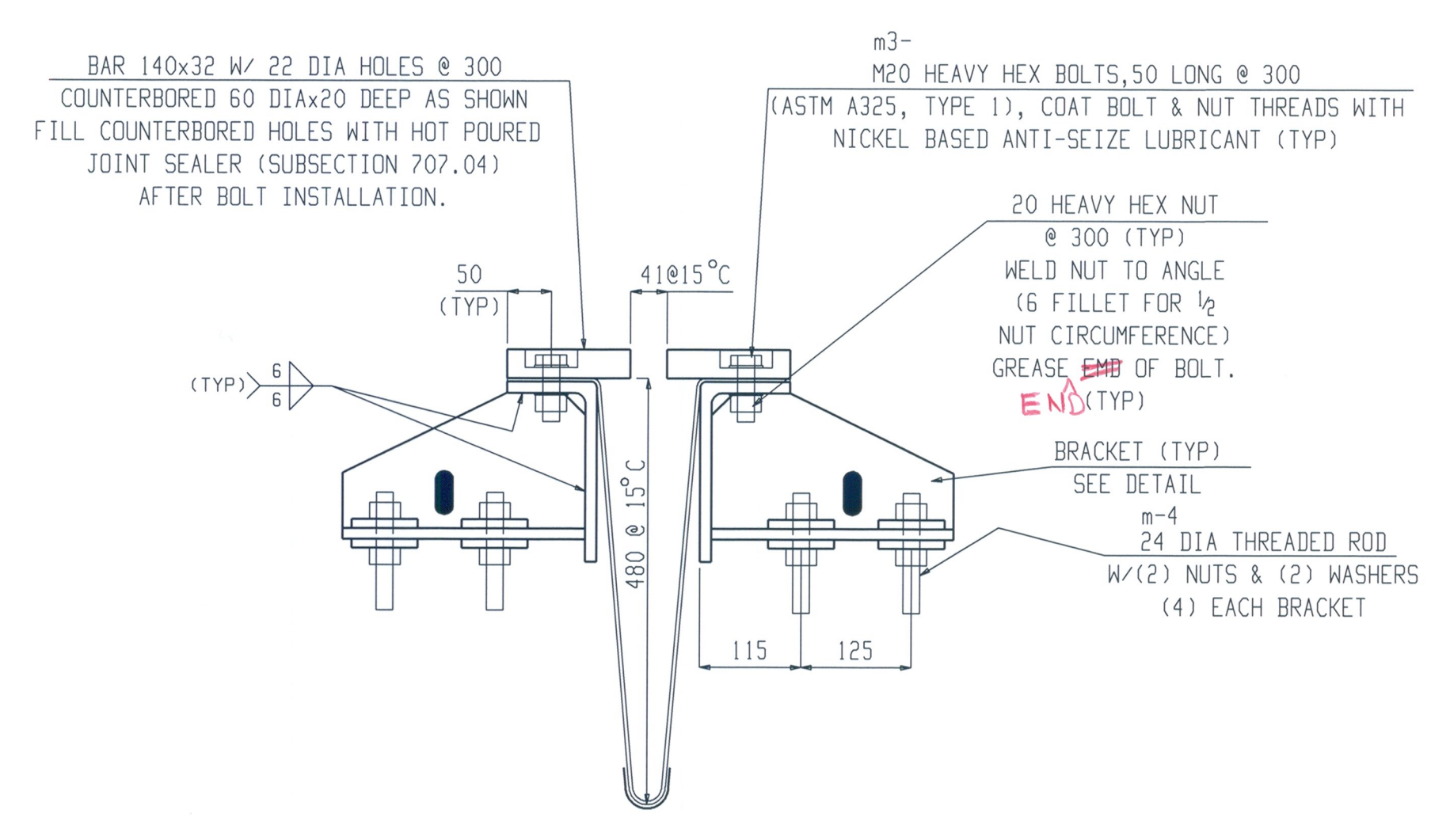
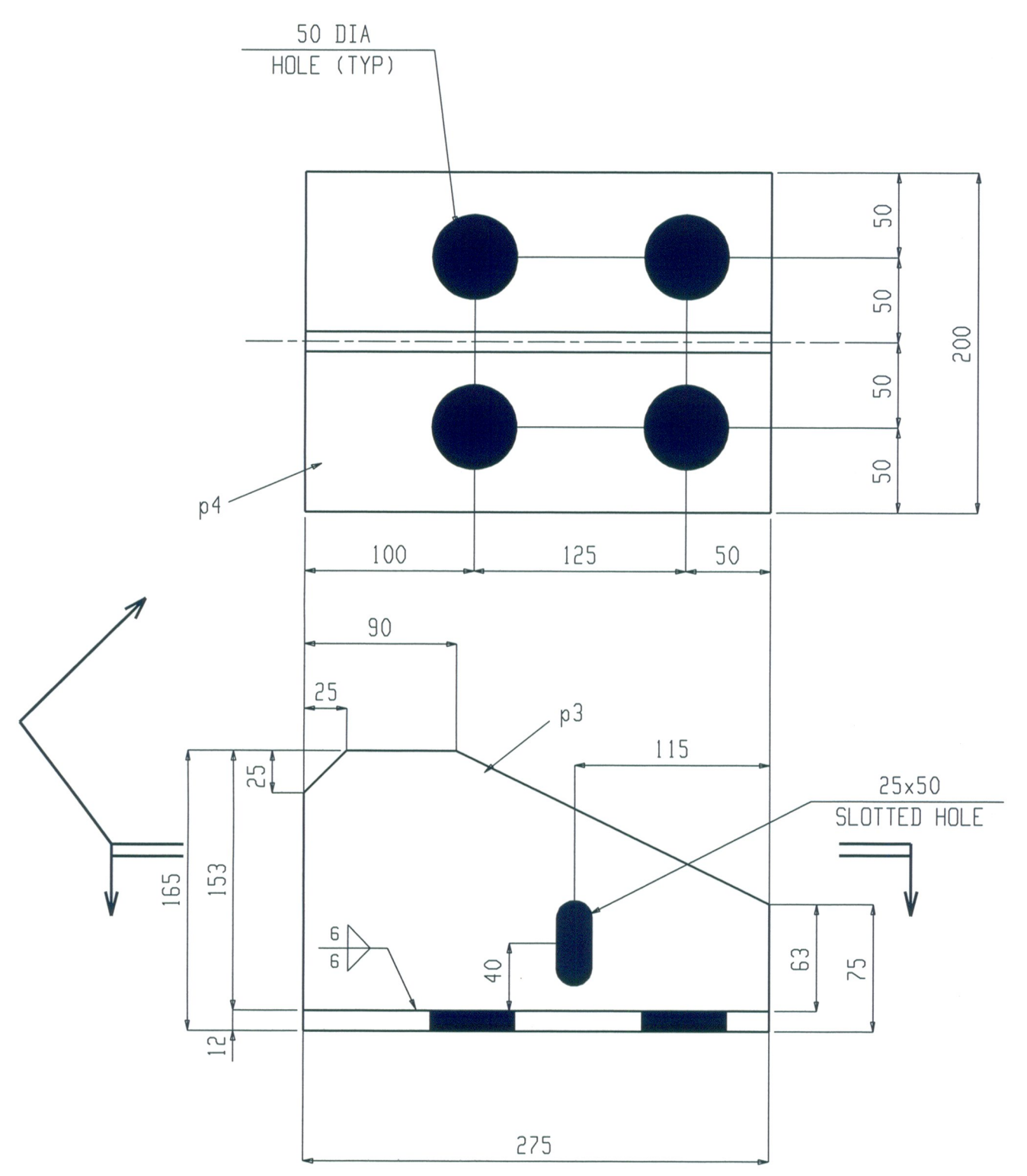


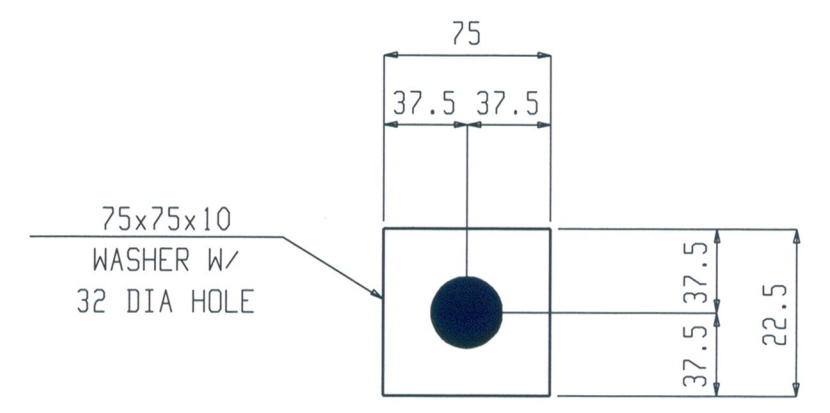
SECTION B-B
TYPICAL SECTION BETWEEN GIRDERS



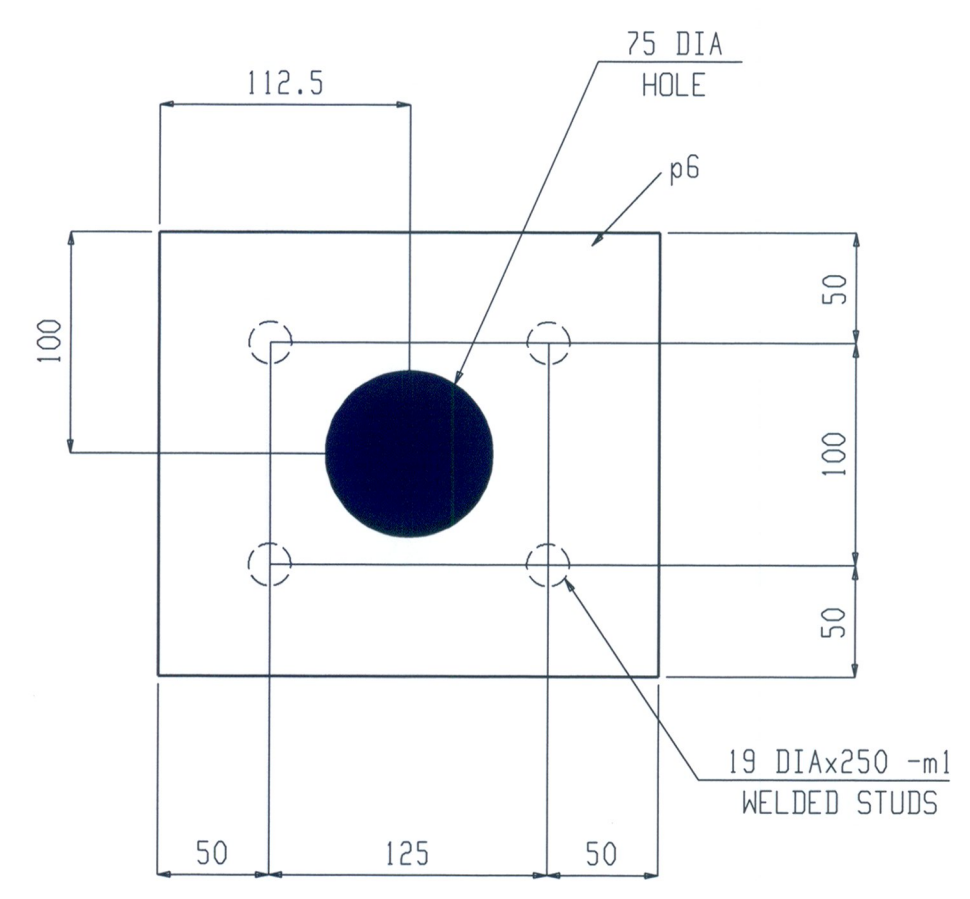
SECTION C-C
TYPICAL SECTION AT GIRDERS



BRACKET DETAIL



WASHER PLATE-p5



EMBEDDED PLATE M1

RECEIVED
OK'D BY LIS OK'D BY RSY
MAR 08 2011
RESUBMIT APPROVED AS NOTED
BY CPW DATE 3/23/11

EXPANSION JOINT NOTES

1. PRIOR TO GALVANIZING OR METALIZING, ALL CORNERS AND EDGES OF STEEL PLATES, SHAPES, ETC., SHALL BE GROUND TO A 1.6 RADIUS.

OUT FOR APPROVAL	01-05	PD	PD																
OUT FOR APPROVAL	02-28	PD	PD																
ISSUED TO SHOP																			
FIELD & OFFICE																			

REV.	REMARKS	DATE	DWN	CHK	APP	O.A.	NO.	DIA.	LGT	TYPE	WASHER
PROJECT NO. STATE PROJECT NO. BR 022-1(20)											
MATERIAL : ASTM A709-GR50W		ELECTRODES : SEE PROC		HOLES : AS NOTED		SHOP BOLTS : φ					
SURFACE PREPN & PAINT : GALVANIZED AFTER FABRICATION ASTM A123											

DESCRIPTION : EXPANSION JOINT -ABUTMENT 1	DRAWN BY	DATE
JOB : VT RTE 107 OVER STONEY BROOK BRIDGE 9 STOCKBRIDGE, VT COUNTY OF WINDSOR	LCL	JAN 2011
CUSTOMER : AUSTIN CONSTRUCTION	CHECKED BY	DATE
	PD	JAN 2011
	APPROVED BY	DATE
	O. A.	DATE
CASCO BAY STEEL STRUCTURES, INC.	JOB NO.	DRG. NO.
75 SPRING HILL ROAD SACO, MAINE 04072	461	J2
PHONE (207) 282-7360 FAX. (207) 282-1179	Fab: Job:	REV.

JOB NO.	DRG. NO.
461	J2

WORK THIS DWG WITH J1