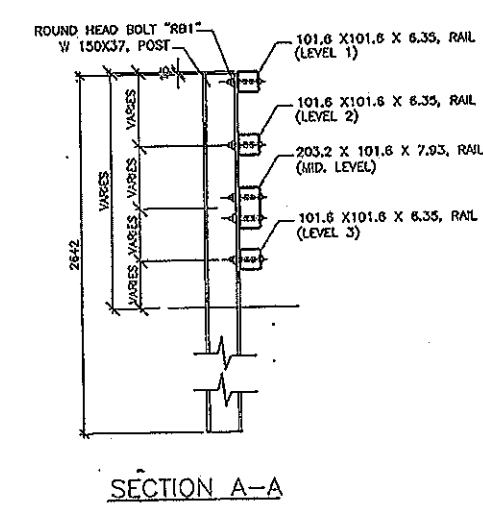
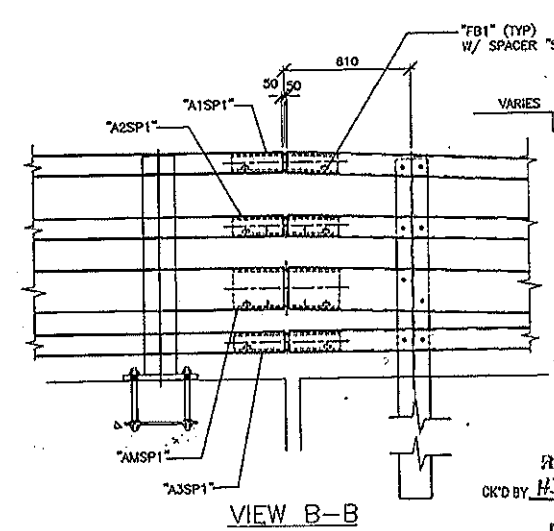


PLAN VIEW APPROACH RAIL
 2 LOCATIONS AS SHOWN, 2 LOCATIONS SHOWN

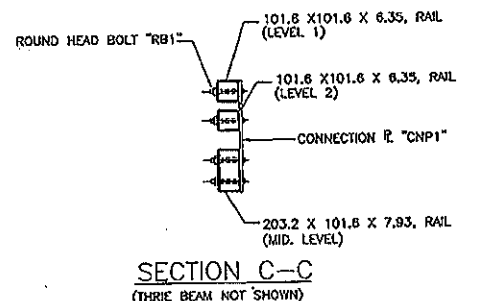
LEVEL 1: "A" (BENCH SIDE), "A" (CROWN SIDE)
 LEVEL 2: "B" (BENCH SIDE), "B" (CROWN SIDE)
 LEVEL 3: "C" (BENCH SIDE), "C" (CROWN SIDE)



SECTION A-A



VIEW B-B



SECTION C-C
 (HERE BEAN NOT SHOWN)

NOTE:
 1. ALL POST CORN. HOLES IN RAILS TO BE FIELD SPACED.

RECEIVED
 FEB 25 2011
 BY *CW* DATE 2/22/11

NO.	REV.	DATE	BY	CHKD.

A/R/C ADVANCED RESOURCES & CONSTRUCTION INC.
 10000 W. 10TH AVENUE, SUITE 100
 DENVER, CO 80202
 TEL: 303.751.1000
 FAX: 303.751.1001
 WWW: WWW.ARC-CONSTRUCTION.COM