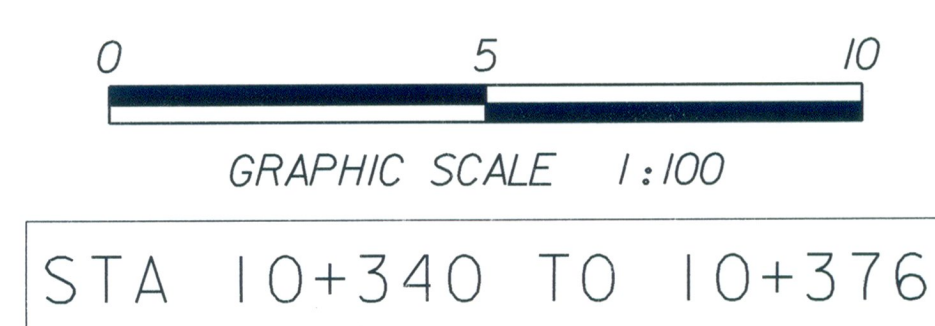
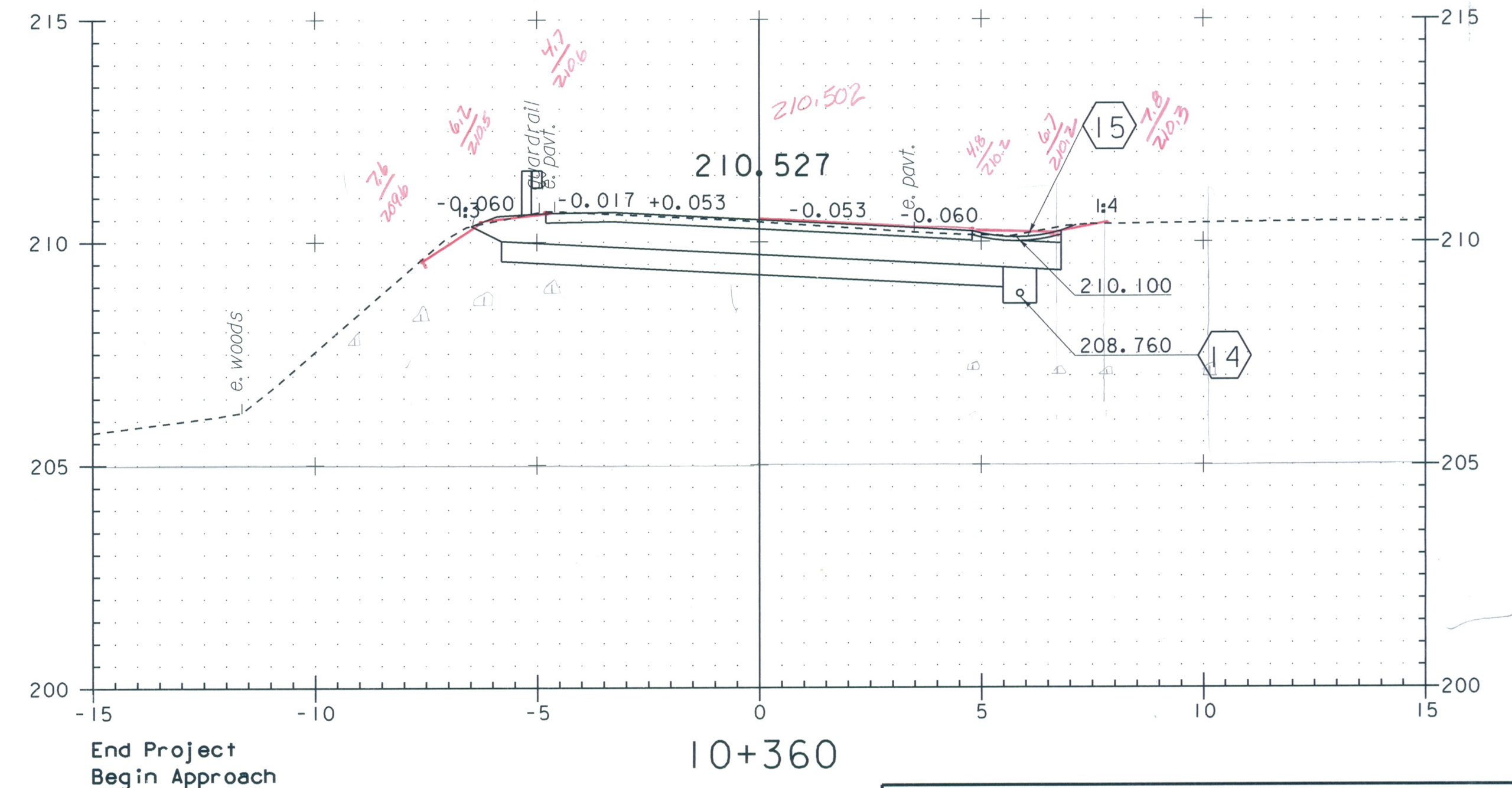
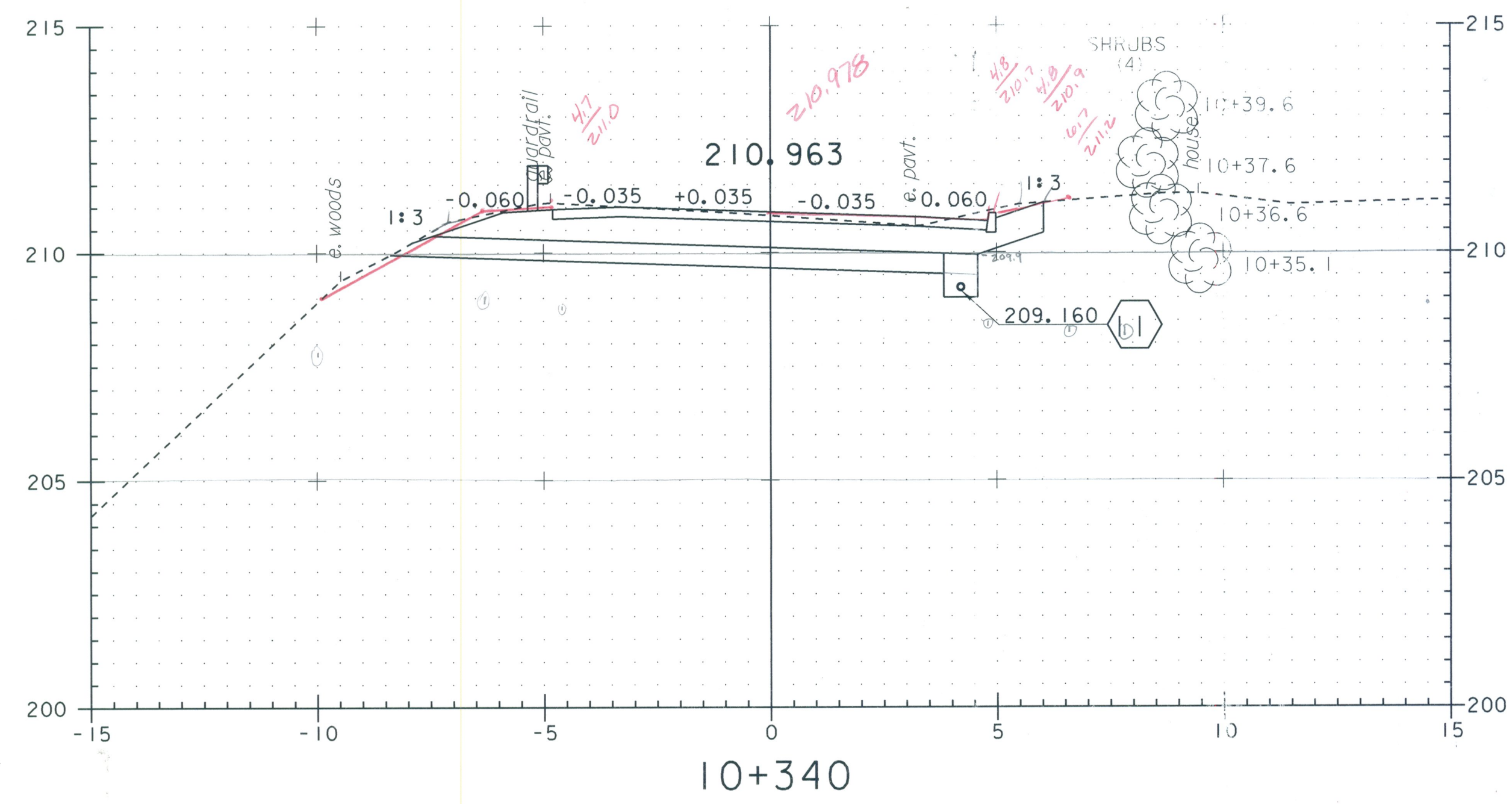
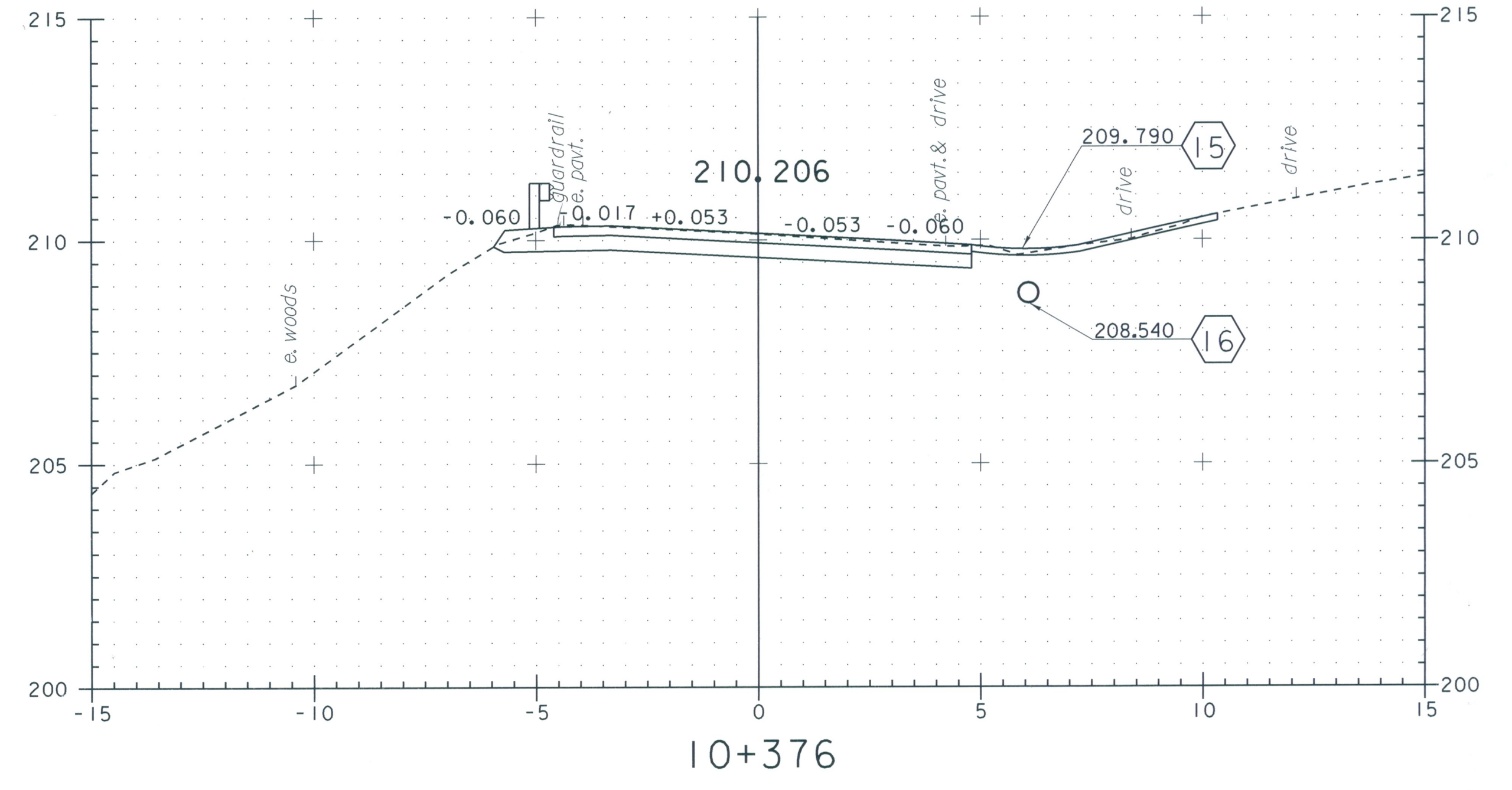
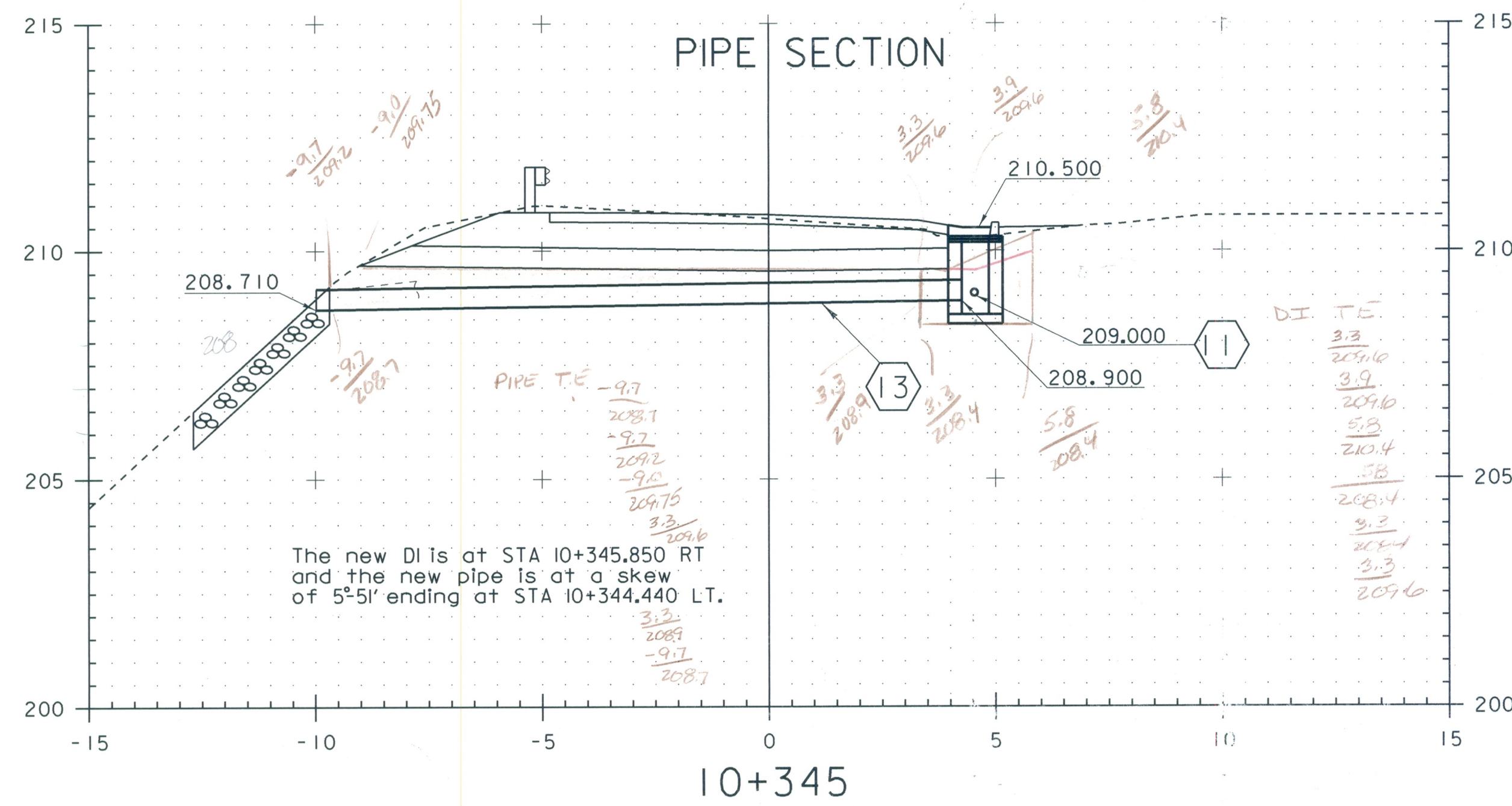
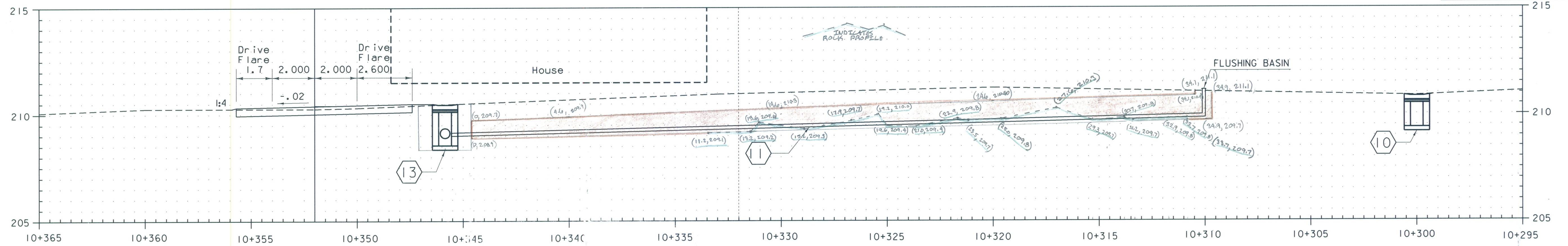


Ditch Profile



PROJECT NAME:	STOCKBRIDGE	FILE NAME:	/sr+5/85e039/de039xsl.dgn	PLOT DATE:	08-APR-2010
PROJECT NUMBER:	BRF 022-1(20)	PROJECT LEADER:	C.P. Williams	DRAWN BY:	G. Shangraw
		DESIGNED BY:	G. Shangraw	CHECKED BY:	R.S. Young
		MAINLINE CROSS SECTIONS:	8	SHEET:	124 OF 139

SEE SHEET 12 FOR DRAINAGE FLAG DESCRIPTIONS