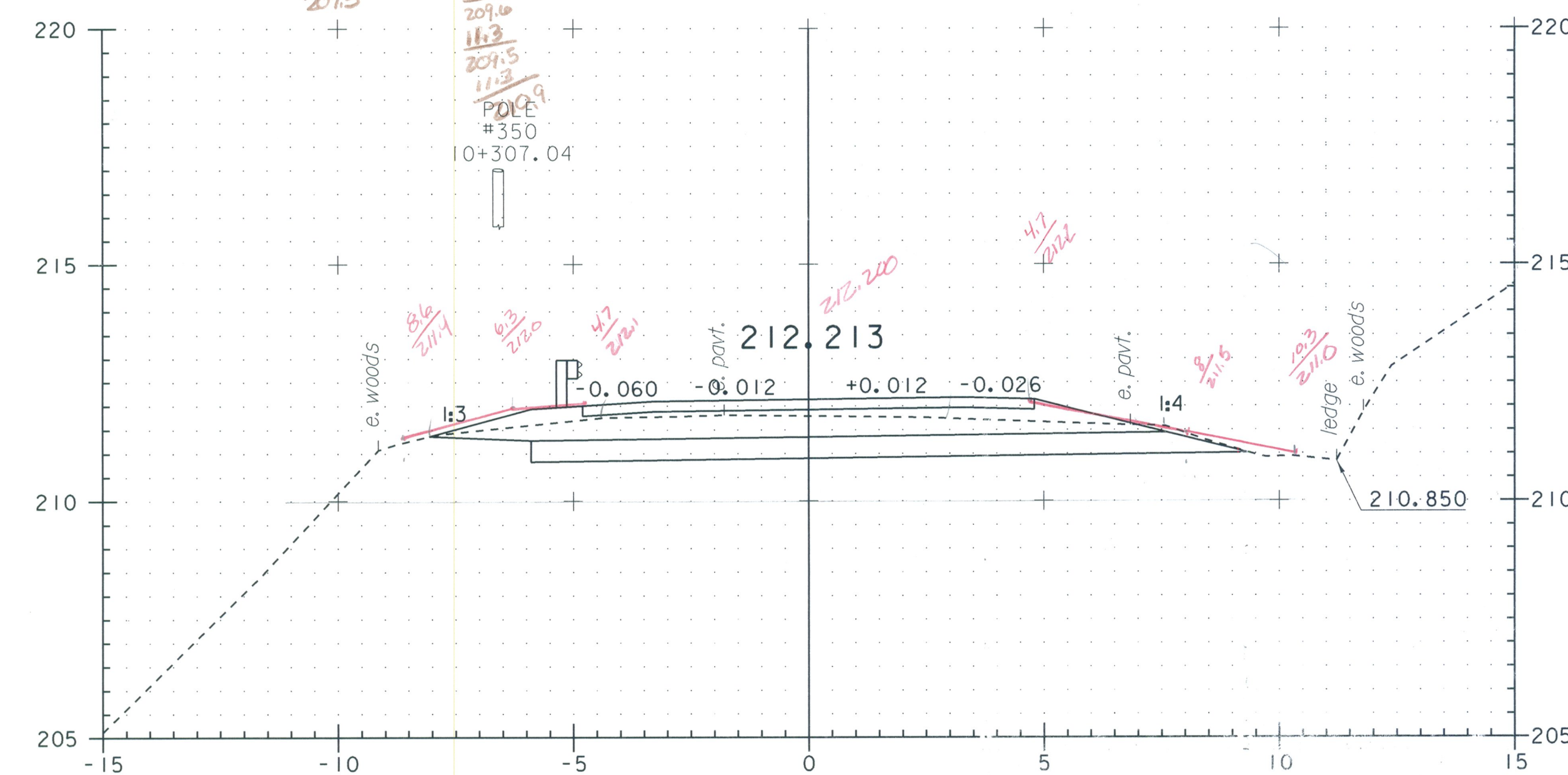
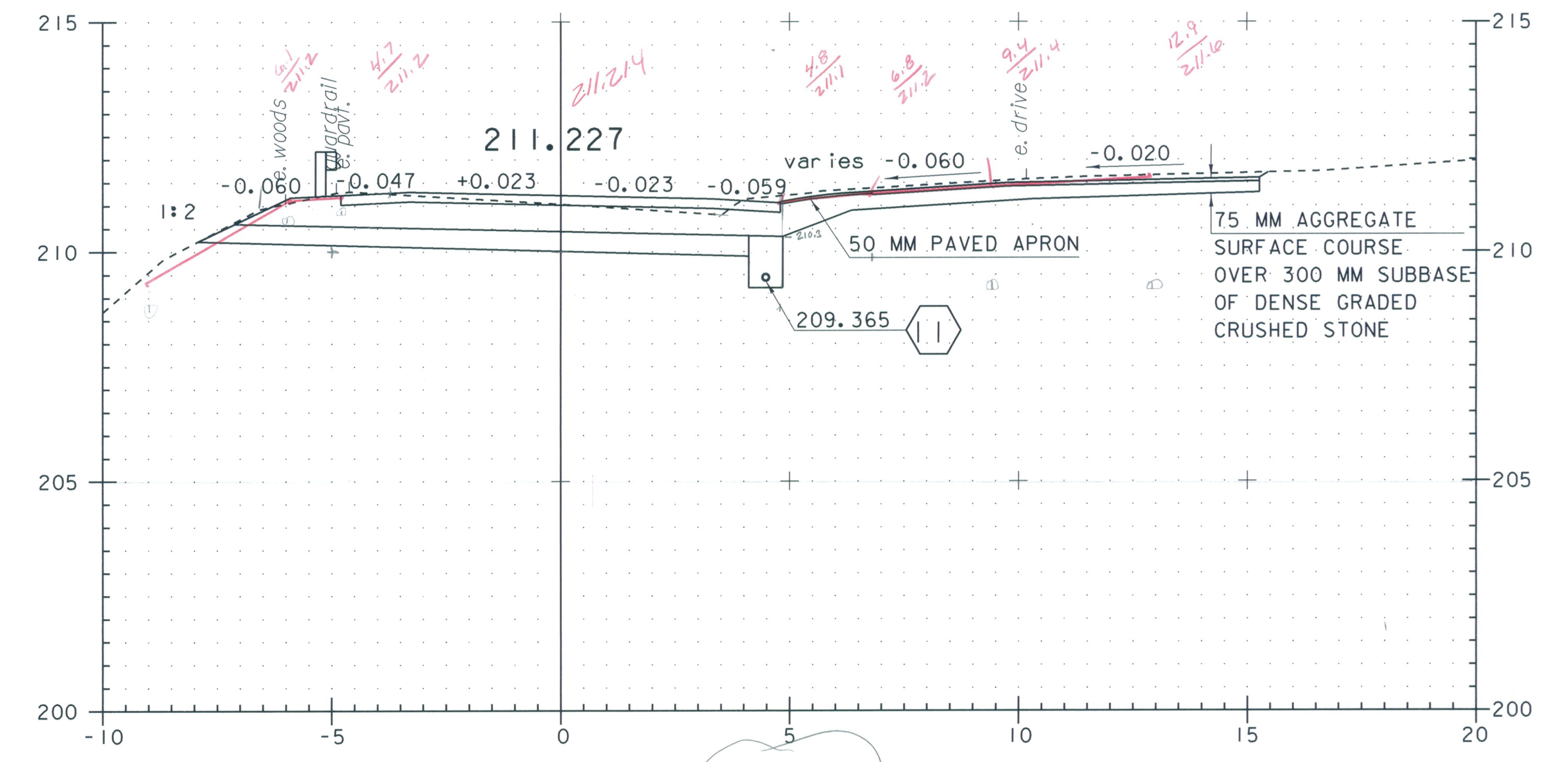


PIPE T.E.	DI T.E.	DI TR
-10.6	11.3	11.3
209.5	210.9	209.5
-8.9	12.2	16.5
210.55	210.7	209.46
11.3	12.8	13.7
210.9	13.7	20.1
11.3	13.7	13.7
209.7	13.7	209.8
-10.6	12.5	11.3
209.5	209.46	209.8
	11.3	11.3
	209.5	209.5
	11.3	
	209.5	

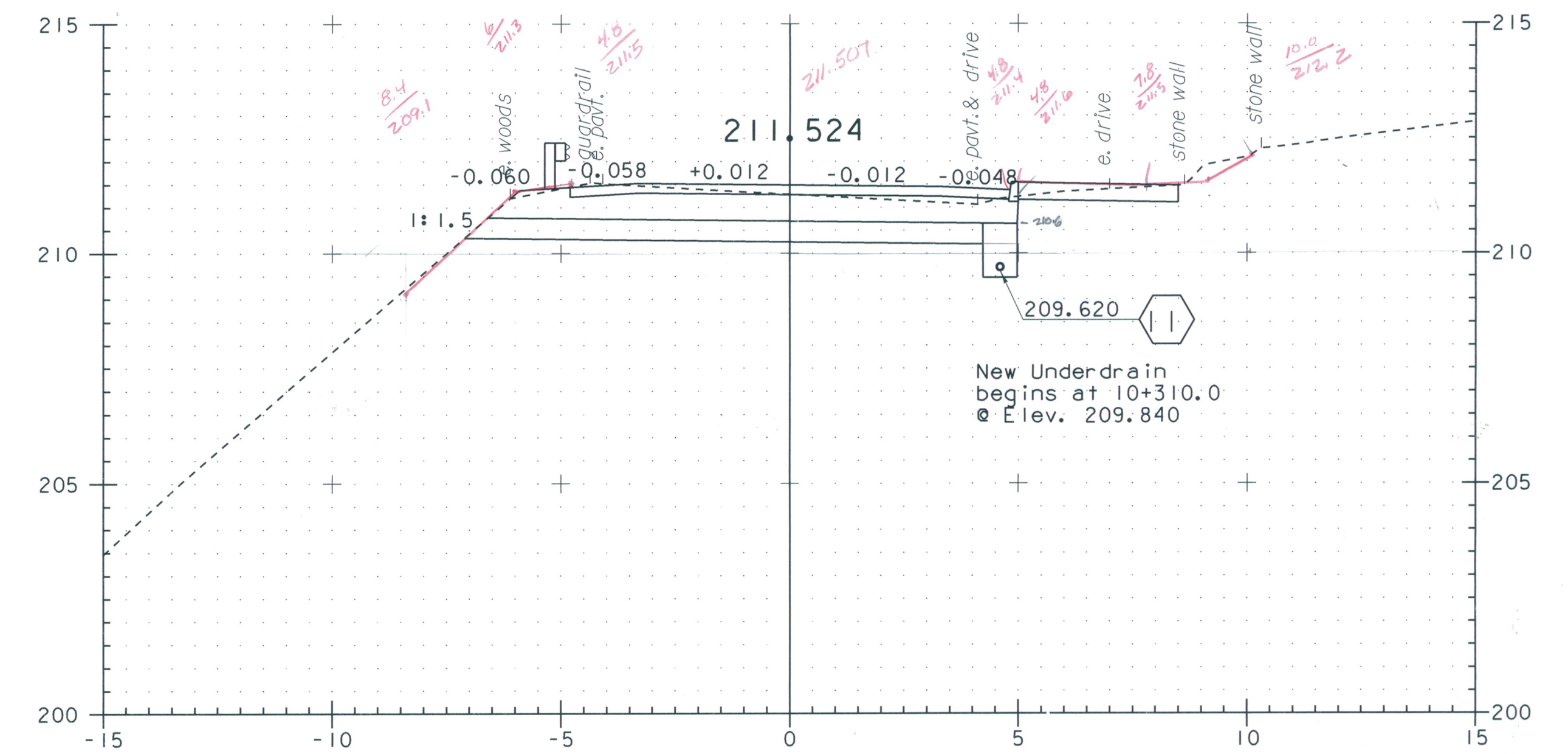
10+309.4



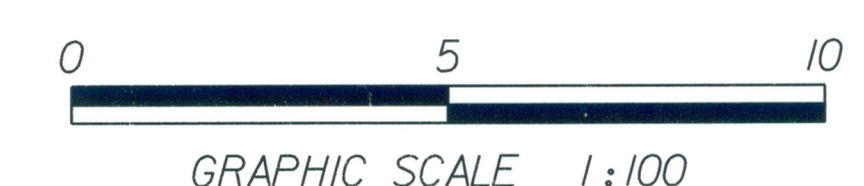
10+300



10+330



10+320



STA 10+300 TO 10+330

SEE SHEET 12 FOR DRAINAGE FLAG DESCRIPTIONS

PROJECT NAME: STOCKBRIDGE	PLOT DATE: 08-APR-2010
PROJECT NUMBER: BRF 022-(120)	DRAWN BY: G. Shangraw
FILE NAME: /sr+t5/85e039/de039xsl.dgn	CHECKED BY: R.S. Young
PROJECT LEADER: C.P. Williams	SHEET 123 OF 139
DESIGNED BY: G. Shangraw	
MAINLINE CROSS SECTIONS 7	