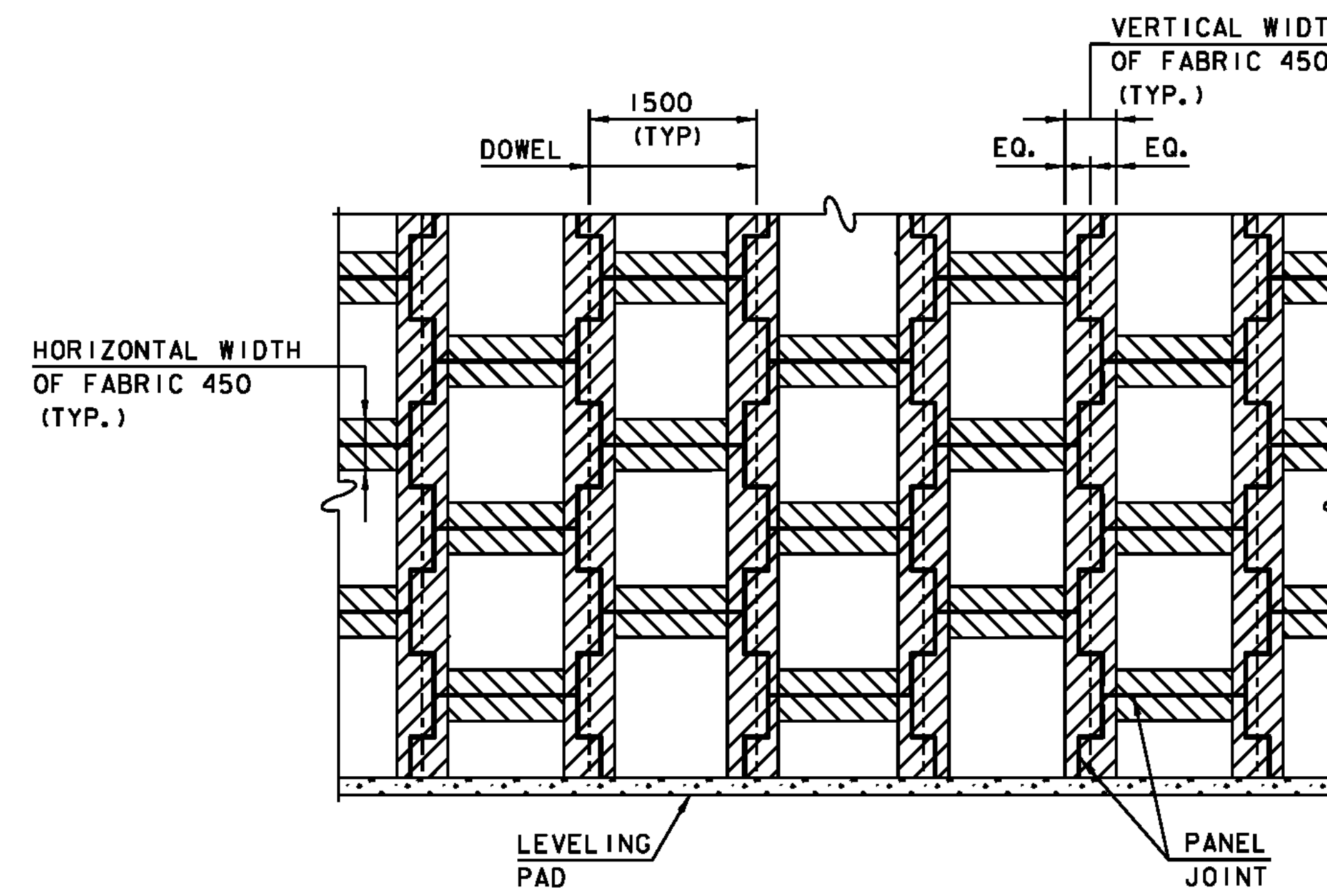


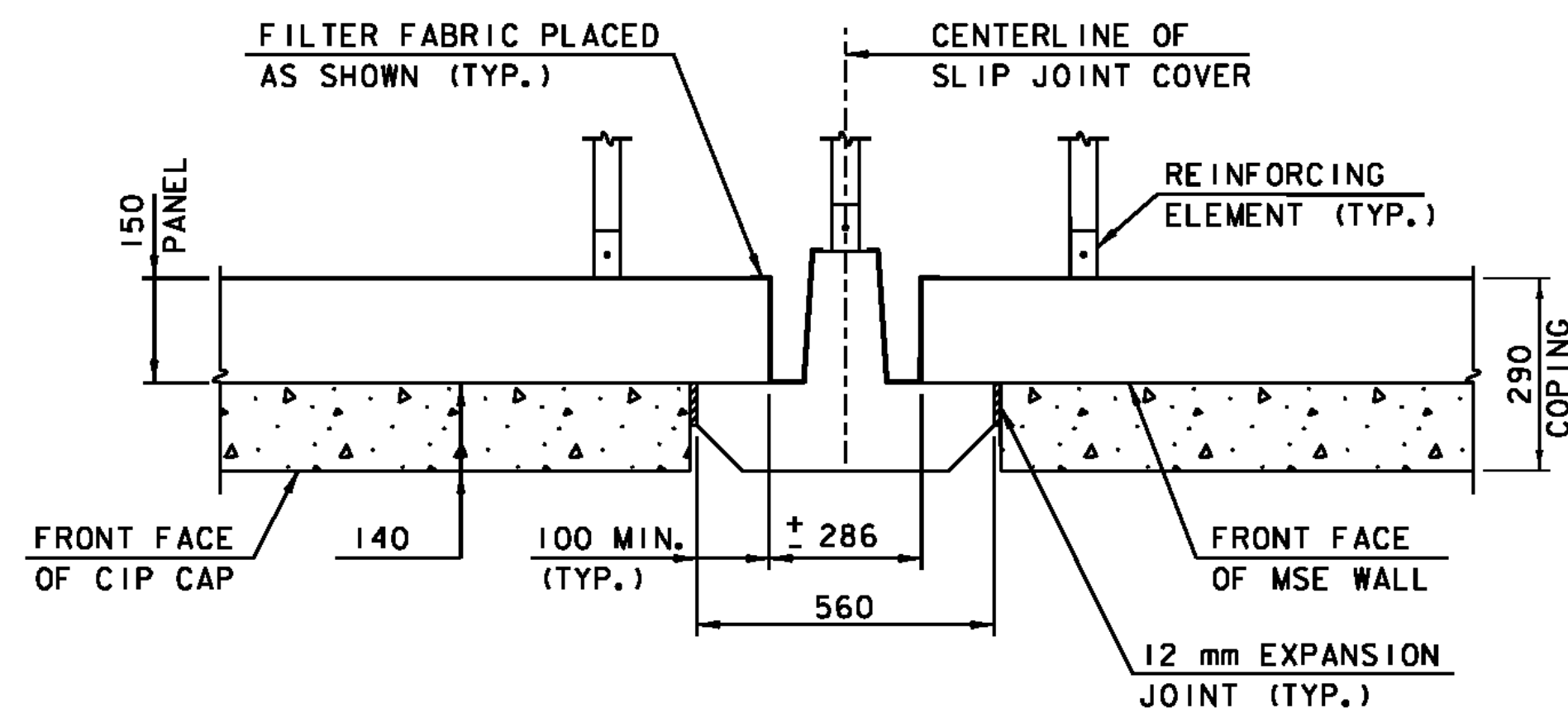
PARTIAL ELEVATION - FRONT FACE
NTS



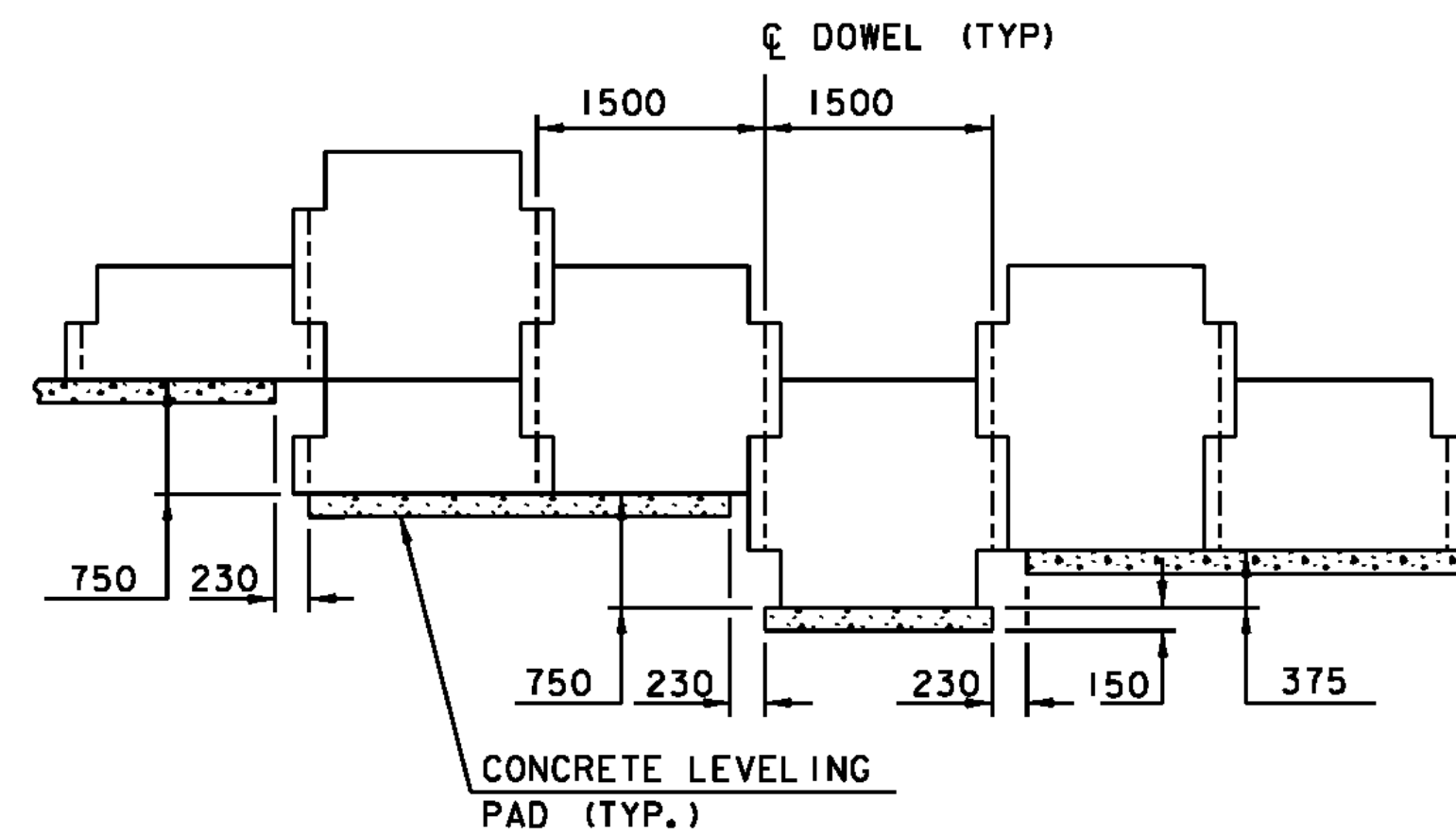
FILTER FABRIC DETAIL
PARTIAL ELEVATION - BACK FACE
NTS

NOTES:

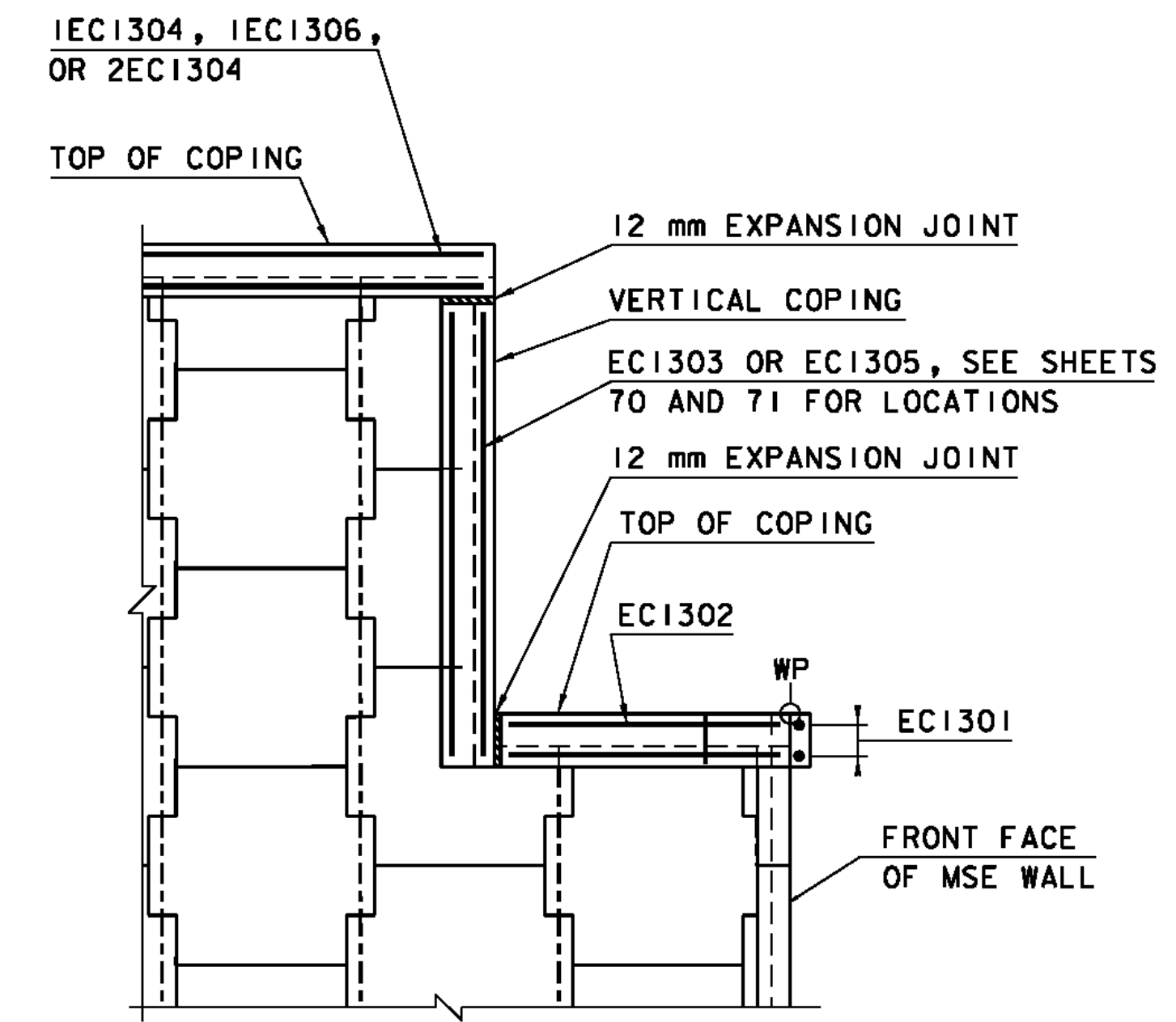
1. STRIPS OF FILTER FABRIC, MEETING SECTION 720 FOR GEOTEXTILE UNDER STONE FILL, SHALL BE PLACED ON BACK FACE OF PANEL OVER PANEL JOINTS. FILTER CLOTH SHALL BE ADHERED TO BACK FACE OF PANELS USING AN ADHESIVE COMPOUND SUPPLIED BY THE MANUFACTURER AND APPROVED BY THE PROJECT MANAGER.
2. THE CONTRACTOR SHALL PROVIDE THE RESIDENT ENGINEER WITH THE MANUFACTURER'S TECHNICAL DATA SHEET AND APPLICATION INSTRUCTIONS FOR THE ADHESIVE COMPOUND.



SLIP JOINT COVER PLAN VIEW A-A
NTS



TYPICAL LEVELING PAD STEP DETAIL
NTS



CAST-IN-PLACE VERTICAL COPING
PARTIAL ELEVATION AT ABUTMENT
NTS

PROJECT:	STOCKBRIDGE	PROJECT NO.:	BRF 022-1 (20)
DESIGN FILE NAME:	str4/85e039mse.dgn	PLOT DATE:	08-APR-2010
IPARM FILE NAME:	de039msedet1.i	DRAWN BY:	M. GAGULIC
DESIGNED BY:	M. GAGULIC	CHECKED BY:	R. S. YOUNG
SQUAD LEADER:	C. P. WILLIAMS	SHEET:	72 OF 139
MSE WALL DETAILS I			