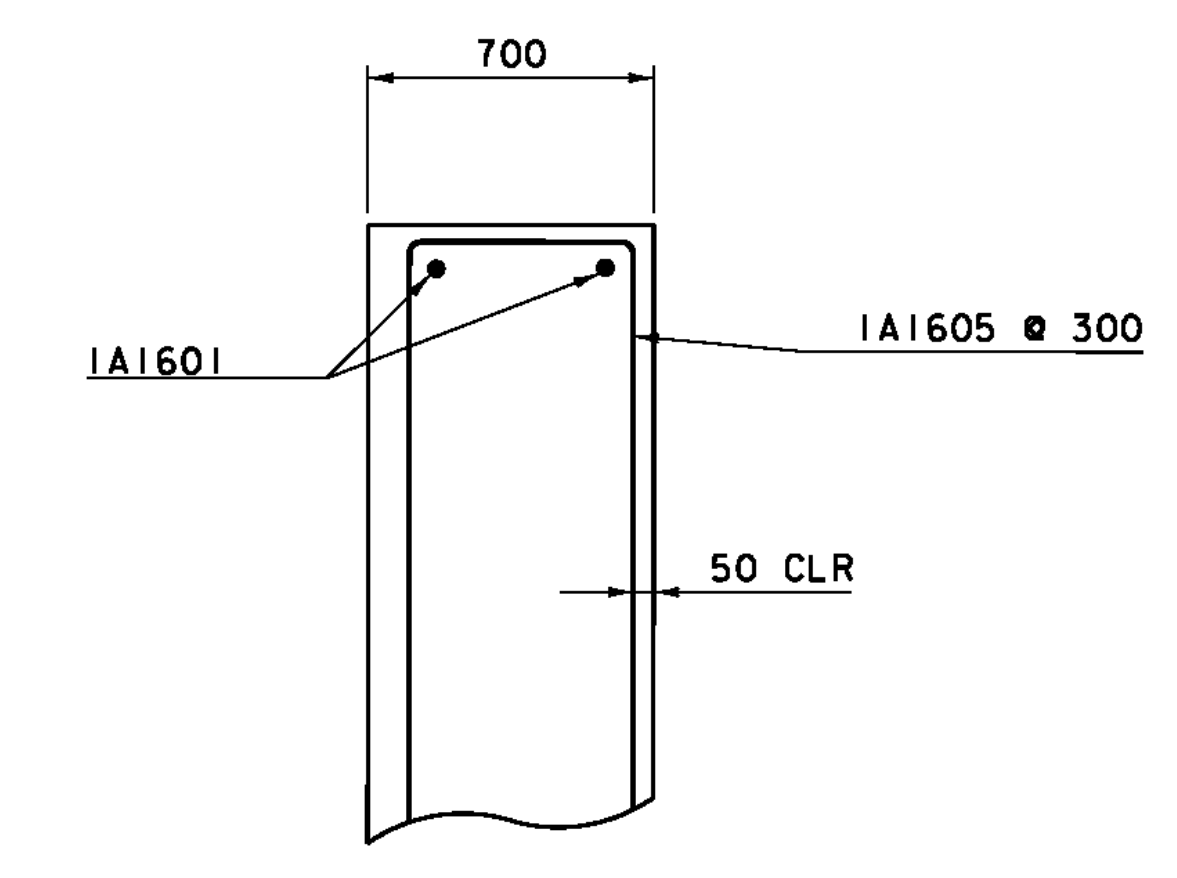
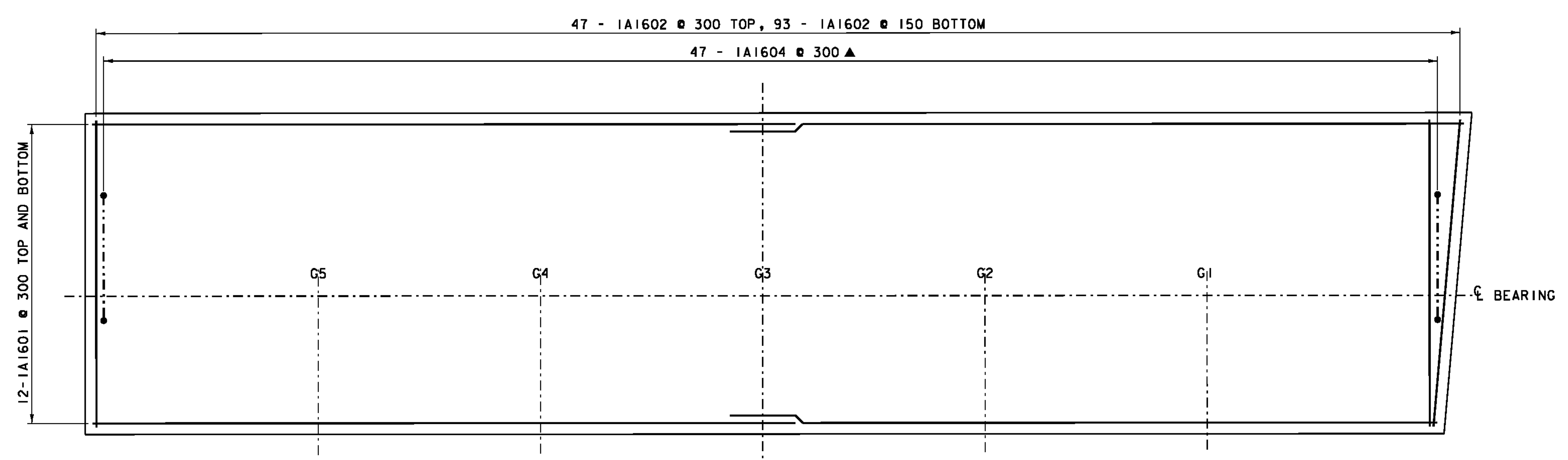


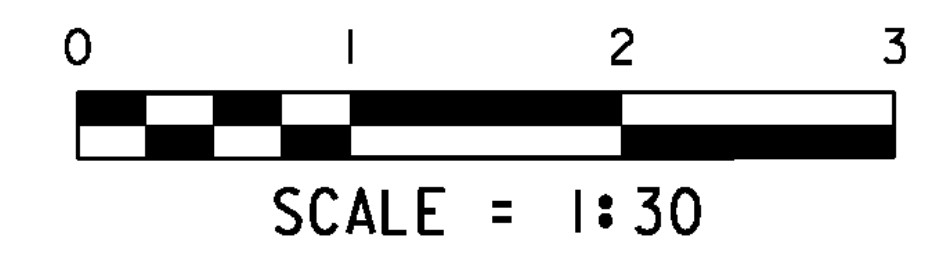
PLAN VIEW ABUTMENT #2 FOOTING  
SCALE = 1:30



SECTION A-A  
SCALE = 1:20



PLAN VIEW ABUTMENT #1 FOOTING  
SCALE = 1:30



**NOTE:**  
 NF = NEAR FACE  
 FF = FAR FACE  
 EF = EACH FACE  
 ▲ = CUT TO FIT IN FIELD  
 80 CLR. UNLESS OTHERWISE SPECIFIED ON THE PLANS  
 ALL LAPS SHALL BE 660 UNLESS OTHERWISE NOTED

PROJECT: STOCKBRIDGE	PROJECT NO.: BRF 022-1 (20)
-------------------------	--------------------------------

DESIGN FILE NAME: 85e039\Structures\de039.sub.dgn	PLOT DATE: 08-APR-2010
IPARM FILE NAME: de039footing.i	DRAWN BY: D. D. BEARD
DESIGNED BY: R. YOUNG	CHECKED BY: R. YOUNG
SQUAD LEADER: C. P. WILLIAMS	SHEET: 67 OF 139
FOOTING PLAN	