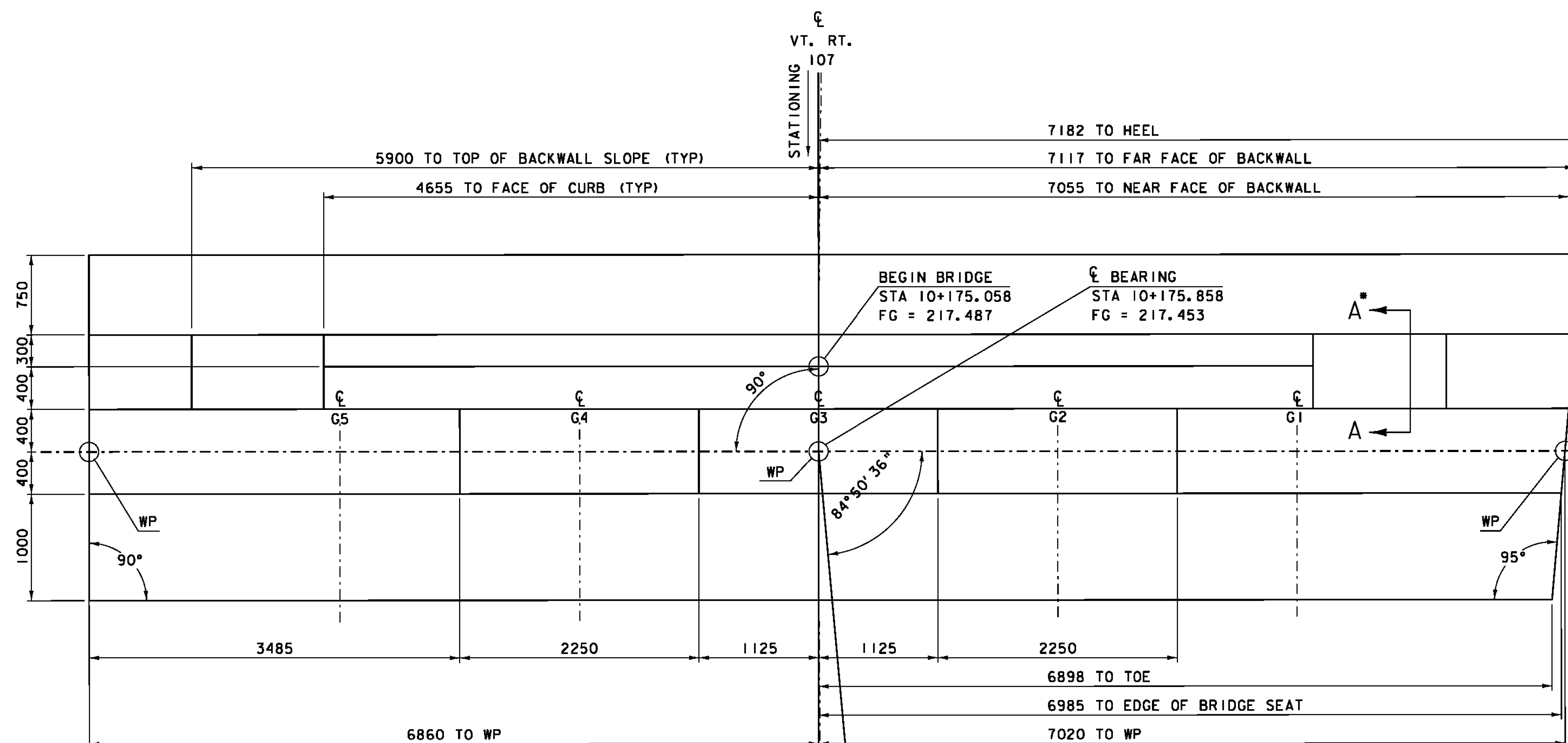
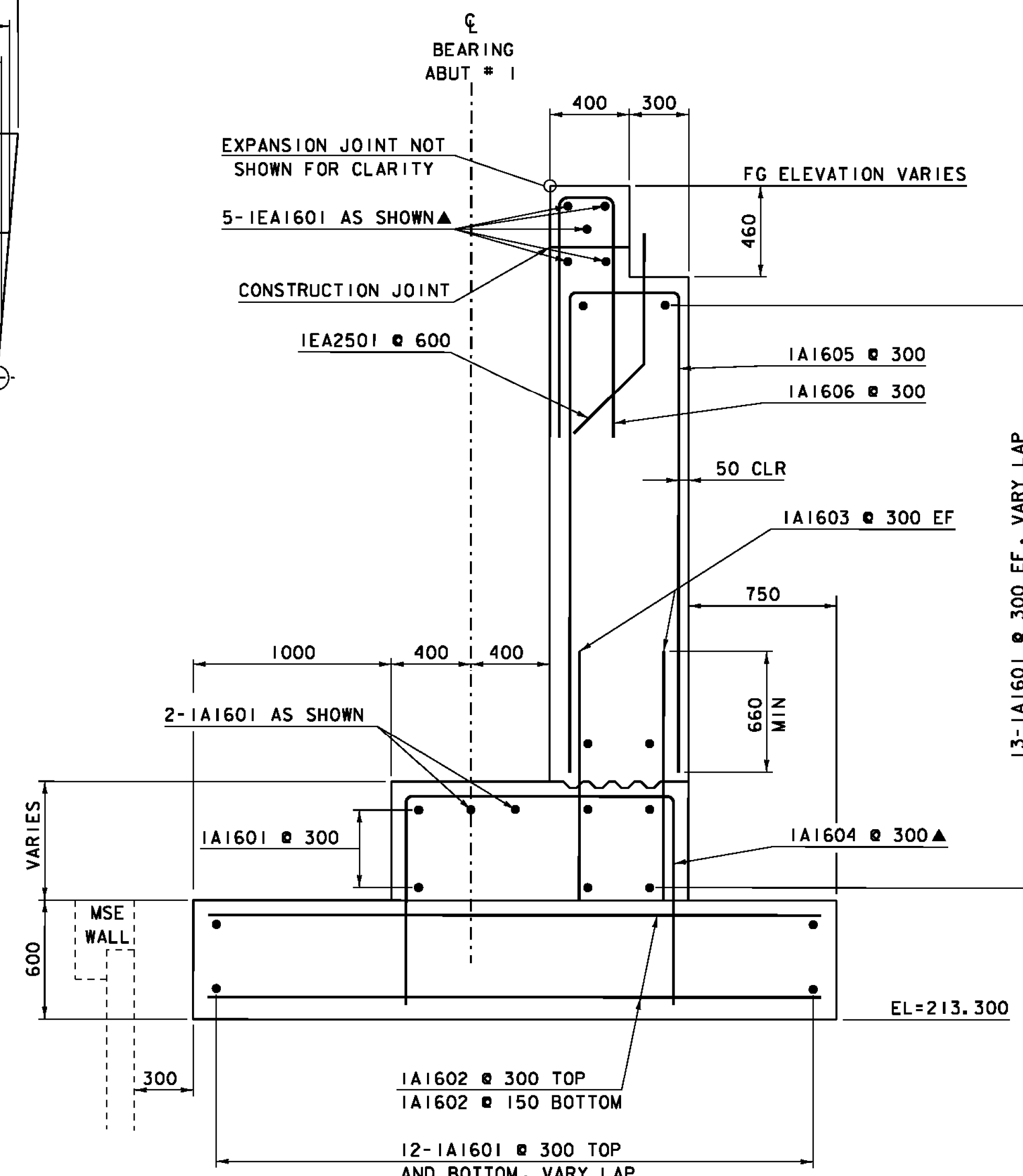


* SECTION A - A IS SHOWN ON FOOTING PLAN SHEET 67



ABUTMENT #1 PLAN VIEW

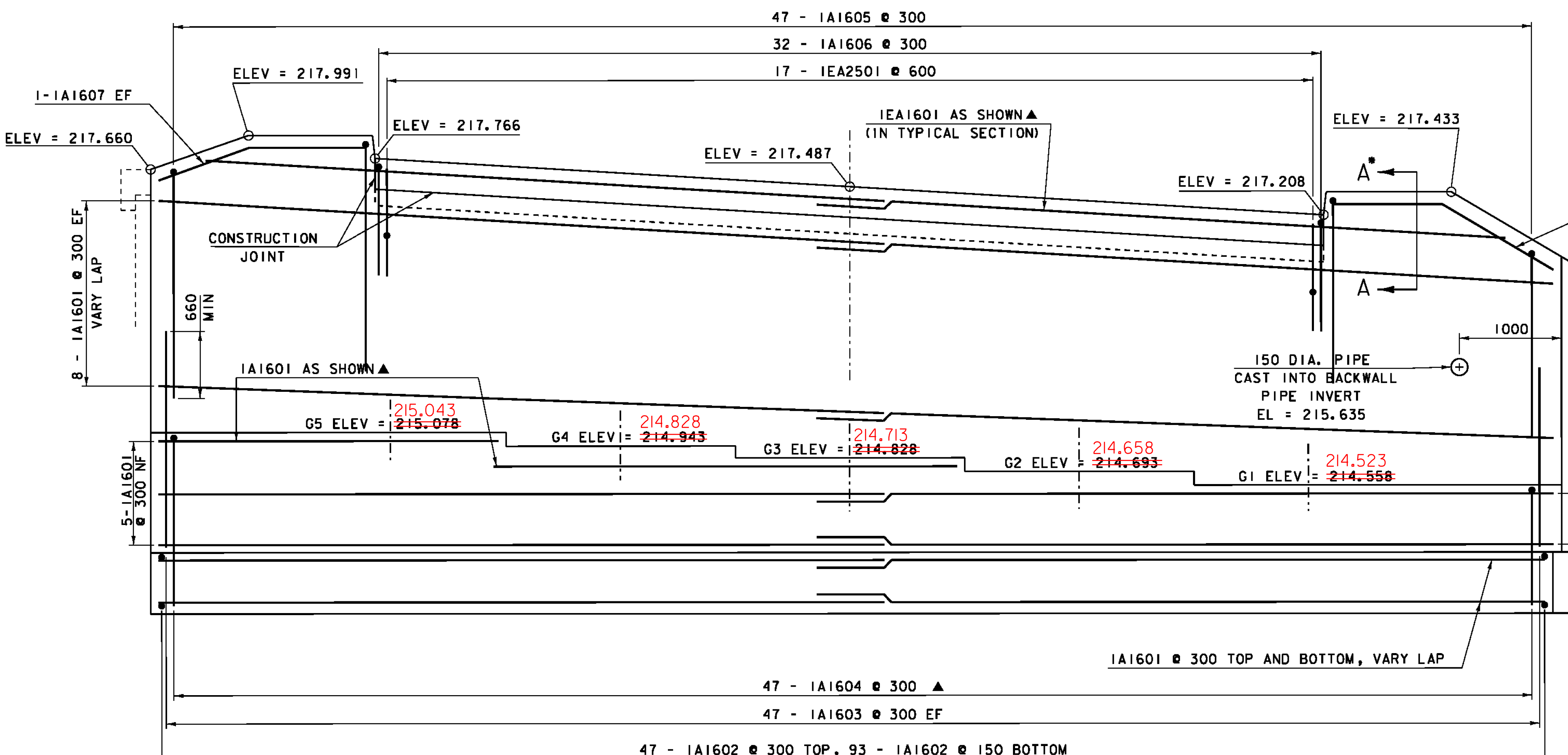
SCALE = 1:30



ABUTMENT #1 TYPICAL SECTION VIEW

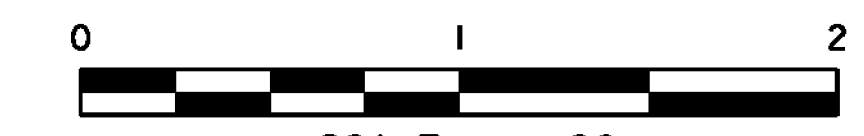
SCALE = 1:20

NOTE:
BRIDGE SEAT ELEVATIONS ARE BASED ON AN ASSUMED DEPTH OF THE BEARING DEVICE. THESE ELEVATIONS SHALL BE CONFIRMED ONCE FABRICATION DRAWINGS ARE APPROVED AND PRIOR TO PLACING CONCRETE ABOVE THE TOP OF FOOTING ELEVATION.



ABUTMENT #1 ELEVATION VIEW

SCALE = 1:30



SCALE = 1:20



SCALE = 1:30

NOTE:

NF = NEAR FACE
FF = FAR FACE
EF = EACH FACE
▲ = CUT TO FIT IN FIELD
80 CLR. UNLESS OTHERWISE SPECIFIED ON THE PLANS
ALL LAPS SHALL BE 660 UNLESS OTHERWISE NOTED

PROJECT: STOCKBRIDGE	PROJECT NO. # BRF 022-1 (20)
DESIGN FILE NAME: 85e039\Structures\de039. sub. dgn	PLOT DATE: 08-APR-2010
IPARM FILE NAME: de039abut1.i	DRAWN BY: D. D. BEARD
DESIGNED BY: R. YOUNG	CHECKED BY: R. YOUNG
SQUAD LEADER: C. P. WILLIAMS	SHEET: 65 OF 139
ABUTMENT # 1	