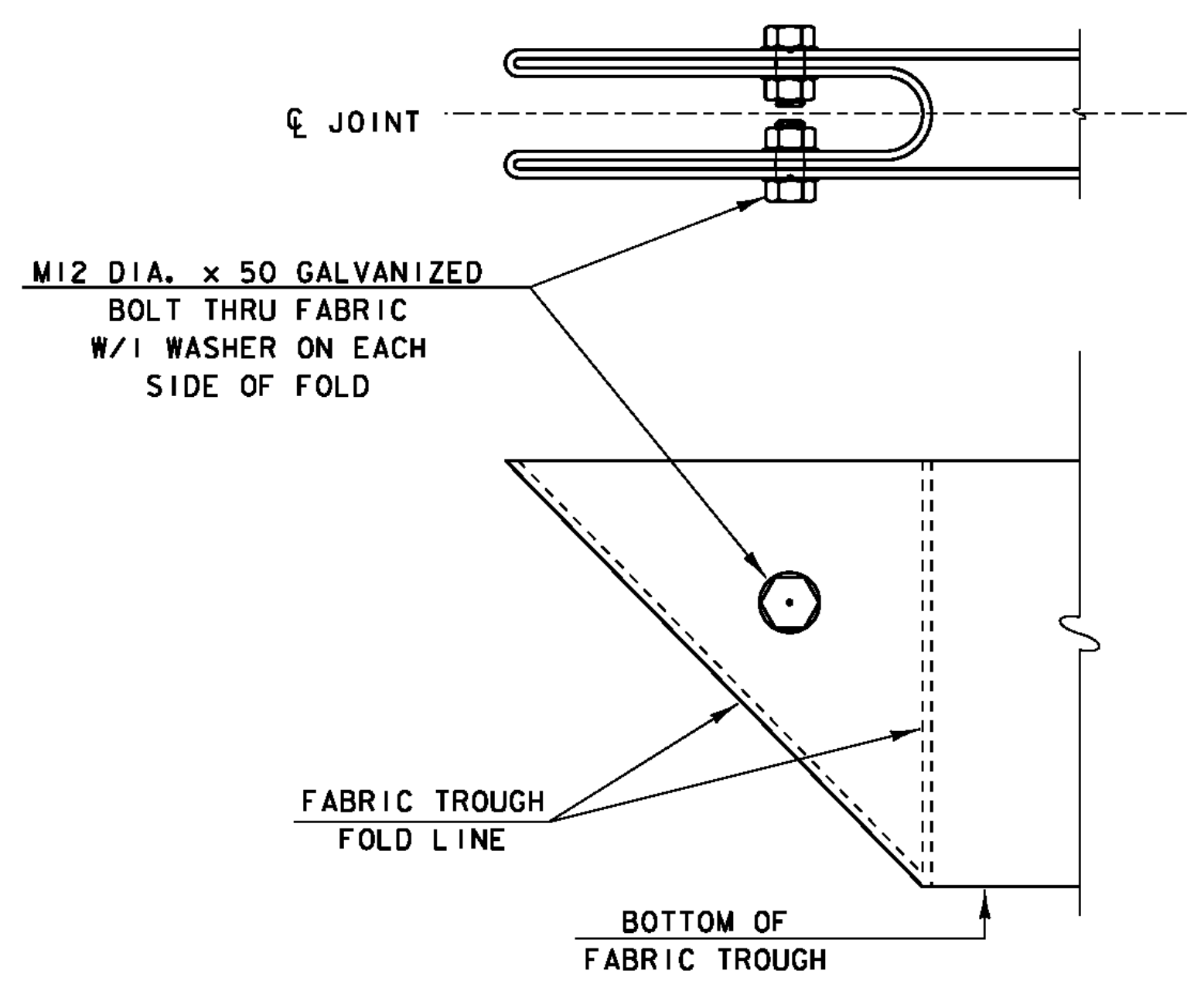
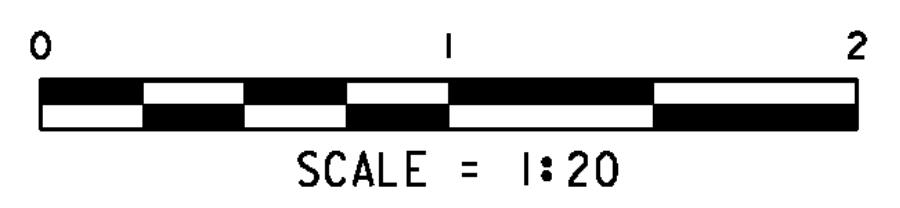
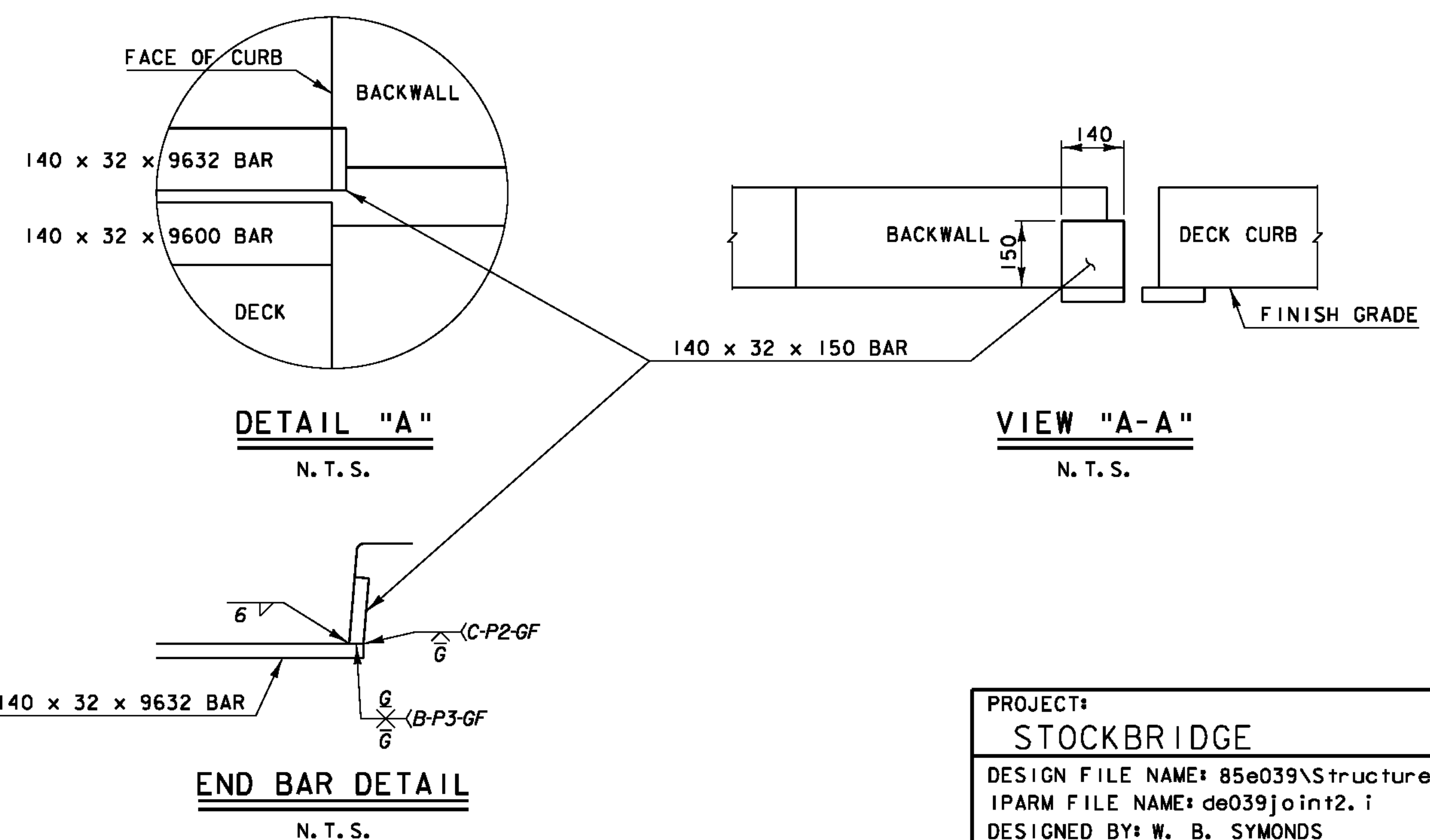


**EXPANSION JOINT @ ABUTMENT #1**



**FOLDED TROUGH END DETAILS**

NOT TO SCALE  
NOTE: TROUGH FOLDED ON HIGH SIDE OF BRIDGE ONLY



PROJECT: <b>STOCKBRIDGE</b>	PROJECT NO. # <b>BRF 022-1 (20)</b>
DESIGN FILE NAME: 85e039\Structures\de039joint.dgn	PLOT DATE: 08-APR-2010
IPARM FILE NAME: de039joint2.i	DRAWN BY: T.G. ANDERSON
DESIGNED BY: W. B. SYMONDS	CHECKED BY: R. S. YOUNG
SQUAD LEADER: C. P. WILLIAMS	EXPANSION JOINT LAYOUT
	SHEET: 62 OF 139