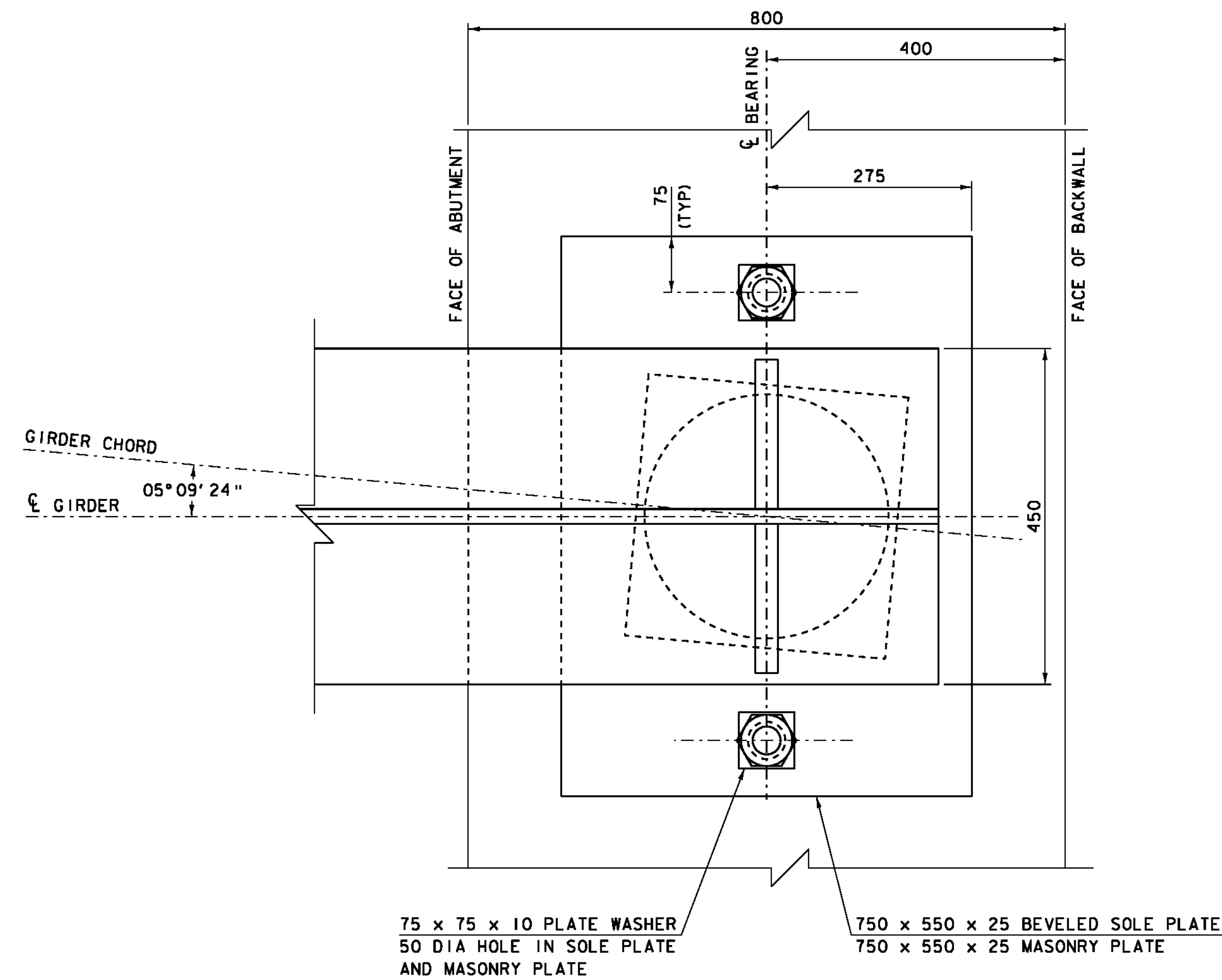
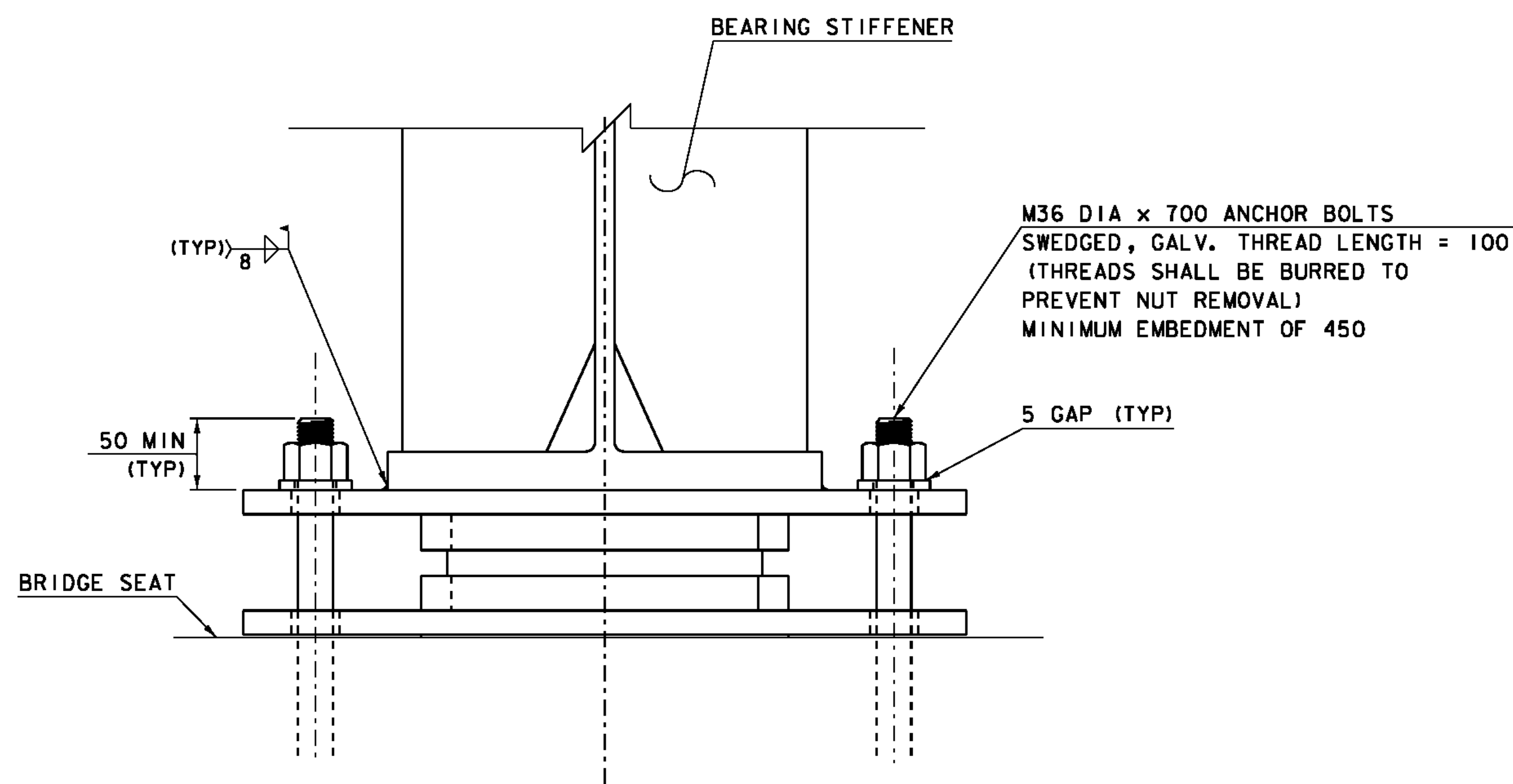


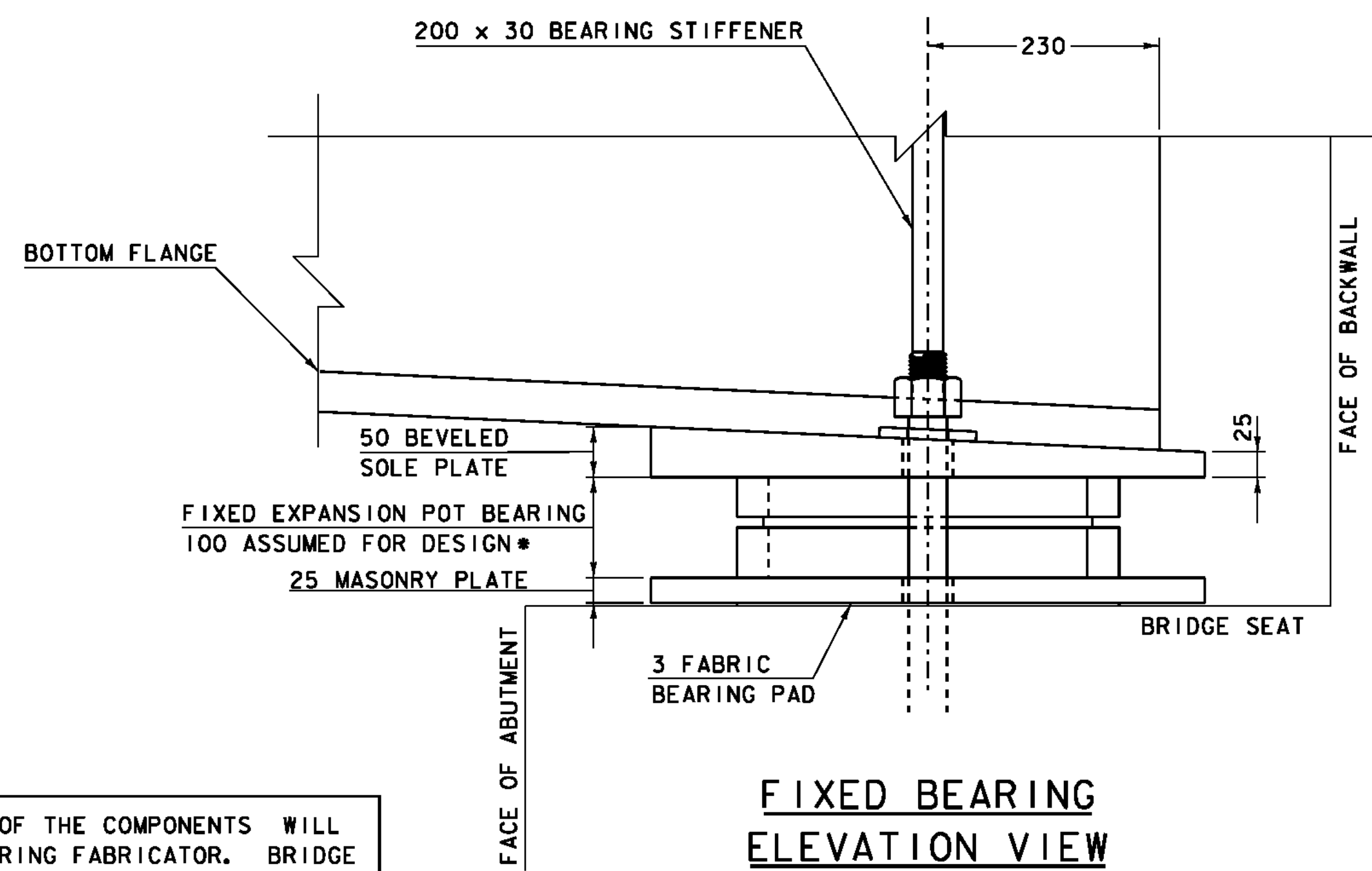
DESIGN LOADS				
ABUTMENT	GIRDER	BEARING TYPE	UNFACTORED VERTICAL LOAD	
			DEAD	LIVE
			KN	KN
1	1	UNGUIDED	355.4	183.8
1	2	UNGUIDED	429.4	293.4
1	3	GUIDED	486.9	271.9
1	4	GUIDED	622.3	291.9
1	5	UNGUIDED	698.2	365.3
2	1	GUIDED	355.3	183.8
2	2	GUIDED	429.3	293.4
2	3	FIXED	486.7	271.9
2	4	FIXED	623.0	292.0
2	5	GUIDED	697.8	365.2



**FIXED BEARING
PLAN VIEW
SCALE = 1:5**

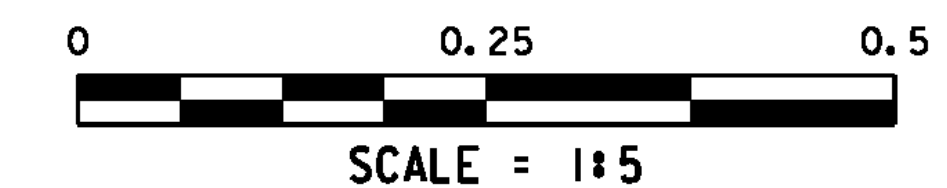


**FIXED BEARING
TYPICAL SECTION
SCALE = 1:5**



**FIXED BEARING
ELEVATION VIEW
SCALE = 1:5**

* THE ACTUAL CONFIGURATION OF THE COMPONENTS WILL BE DEPENDENT UPON THE BEARING FABRICATOR. BRIDGE SEATS MAY NEED ADJUSTMENT.



**FIXED BEARINGS
FOR GIRDERS 3 & 4
ON ABUTMENT #2**

PROJECT: STOCKBRIDGE	PROJECT NO. # BRF 022-1 (20)
DESIGN FILE NAME: 85e039\Structures\de039bearing.dgn	PLOT DATE: 08-APR-2010
IPARM FILE NAME: de039bear4.i	DRAWN BY: D. D. BEARD
DESIGNED BY: R. YOUNG	CHECKED BY: R. YOUNG
SQUAD LEADER: C. P. WILLIAMS	SHEET: 60 OF 139
FIXED BEARINGS ABUT #2	