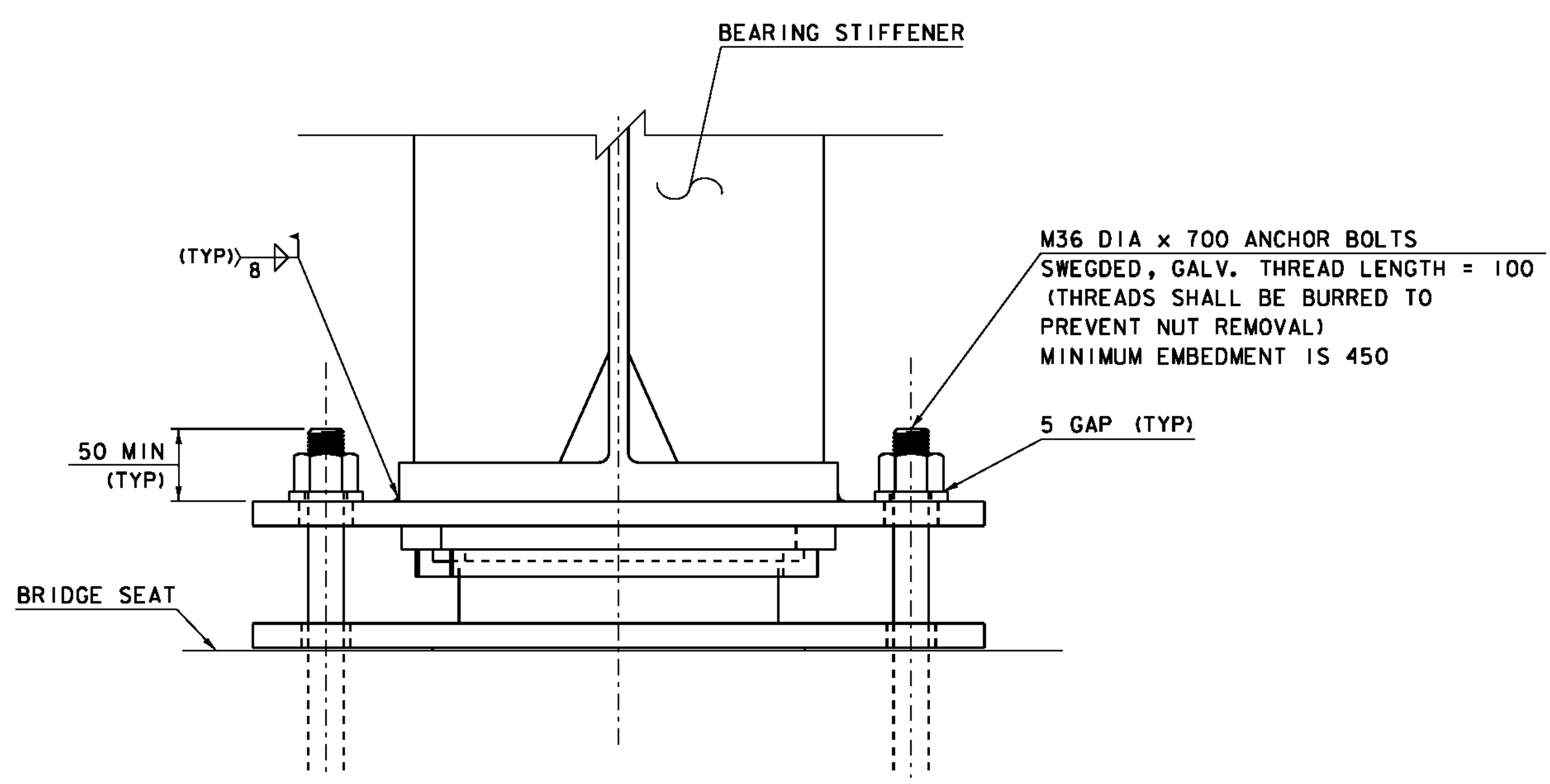
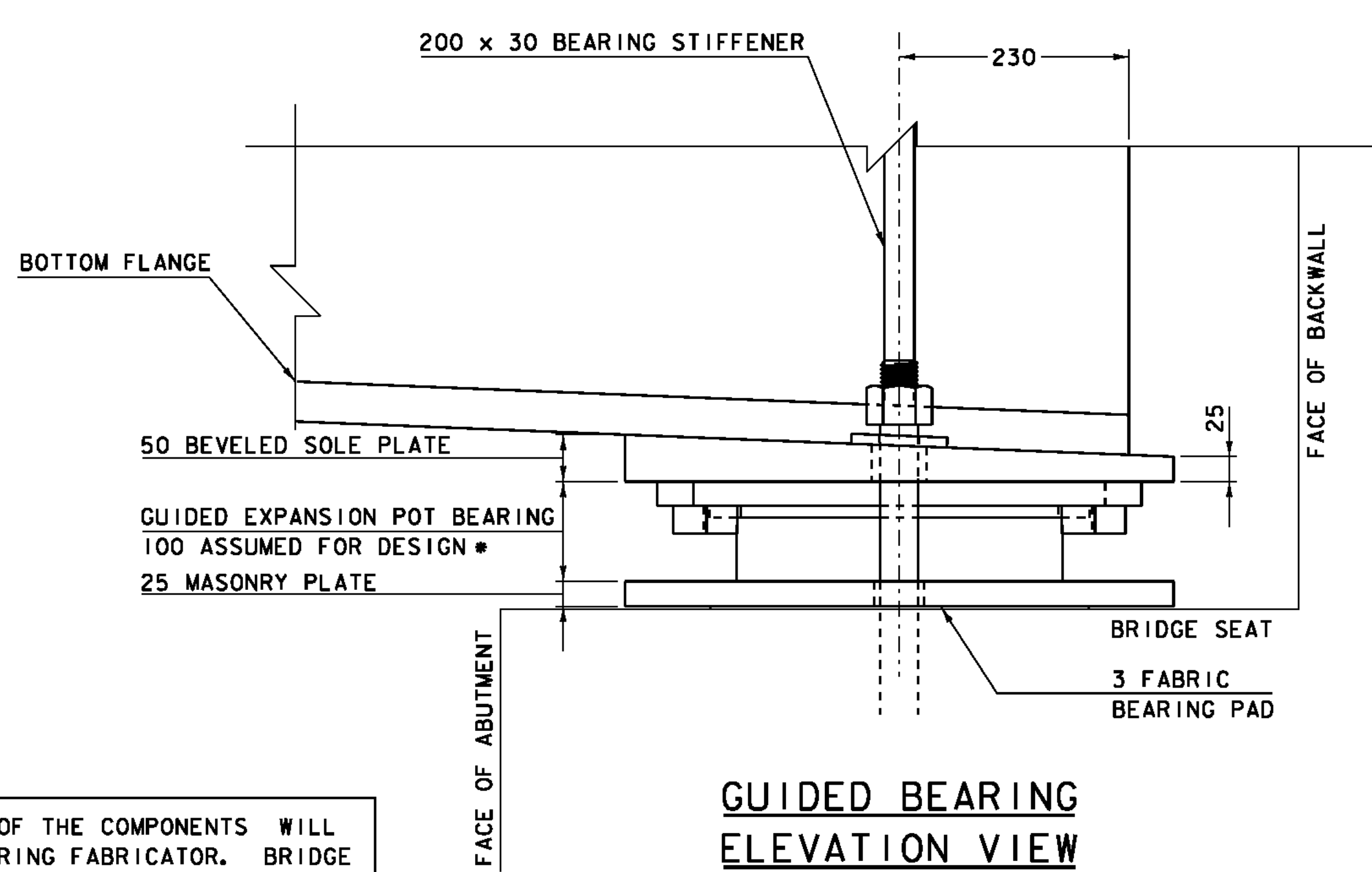


**GUIDED BEARING
PLAN VIEW
SCALE = 1:5**

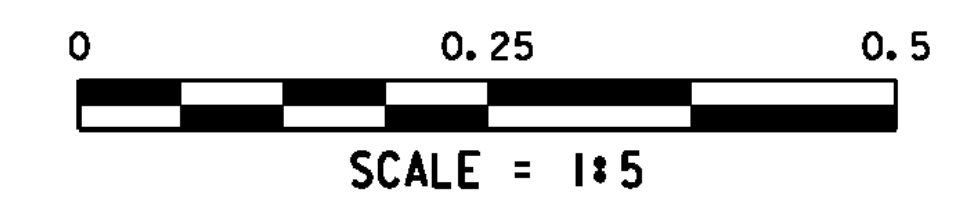


**GUIDED BEARING
TYPICAL SECTION
SCALE = 1:5**

• THE ACTUAL CONFIGURATION OF THE COMPONENTS WILL BE DEPENDENT UPON THE BEARING FABRICATOR. BRIDGE SEATS MAY NEED ADJUSTMENT.



**GUIDED BEARING
ELEVATION VIEW
SCALE = 1:5**



**GUIDED BEARINGS
FOR GIRDERS 1, 2, & 5
ON ABUTMENT #2**

PROJECT: STOCKBRIDGE	PROJECT NO. # BRF 022-1 (20)
DESIGN FILE NAME: 85e039\Structures\de039bearing.dgn	PLOT DATE: 08-APR-2010
IPARM FILE NAME: de039bear3.i	DRAWN BY: D. D. BEARD
DESIGNED BY: R. YOUNG	CHECKED BY: R. YOUNG
SQUAD LEADER: C. P. WILLIAMS	SHEET: 59 OF 139
GUIDED BEARINGS ABUT #2	