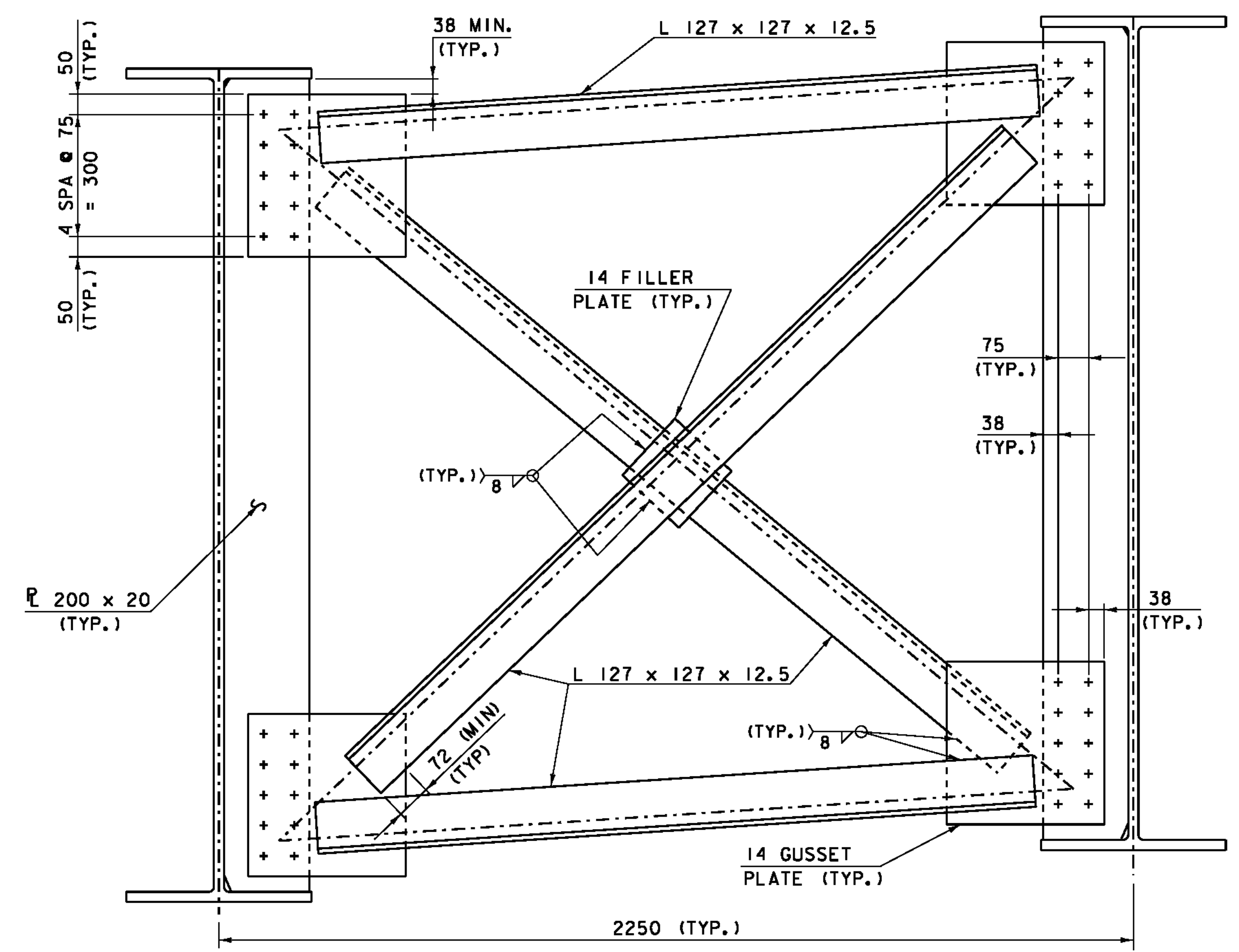
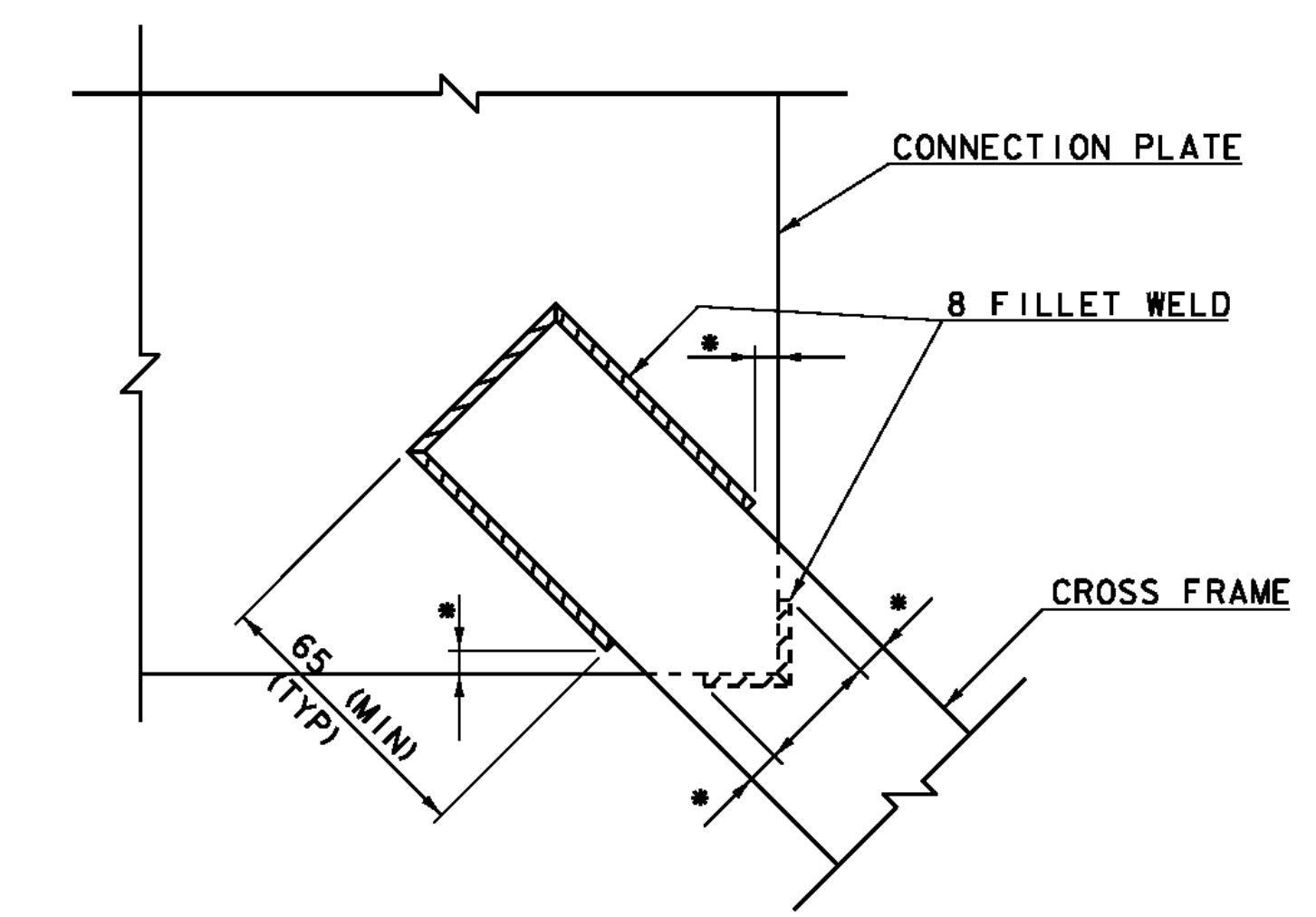


**ABUTMENT CROSS FRAME**  
SCALE = 1:10

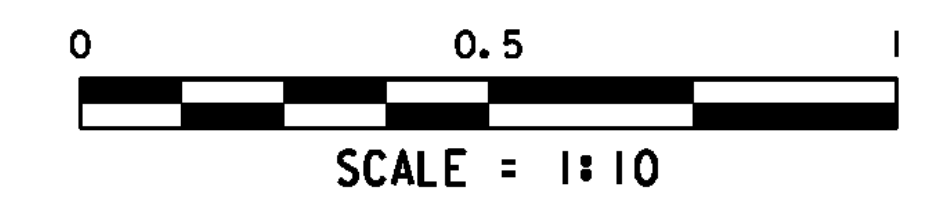


**INTERMEDIATE CROSS FRAME**  
SCALE = 1:10



**WELD LOCATION DETAIL**

**NOTE:**  
ALL CROSS FRAMES SHALL HAVE "CHARPY V-NOTCH TEST" PERFORMED AS SPECIFIED IN SUBSECTION 714.01.



|  |  |
|--|--|
| PROJECT:<br><b>STOCKBRIDGE</b>                   | PROJECT NO. #<br><b>BRF 022-1 (20)</b> |
| DESIGN FILE NAME: 85e039\Structures\de039sup.dgn | PLOT DATE: 08-APR-2010                 |
| IPARM FILE NAME: de039xframe.i                   | DRAWN BY: D. D. BEARD                  |
| DESIGNED BY: R. YOUNG                            | CHECKED BY: R. YOUNG                   |
| SQUAD LEADER: C. P. WILLIAMS                     | SHEET: 56 OF 139                       |
| CROSS FRAME DETAILS                              |  |