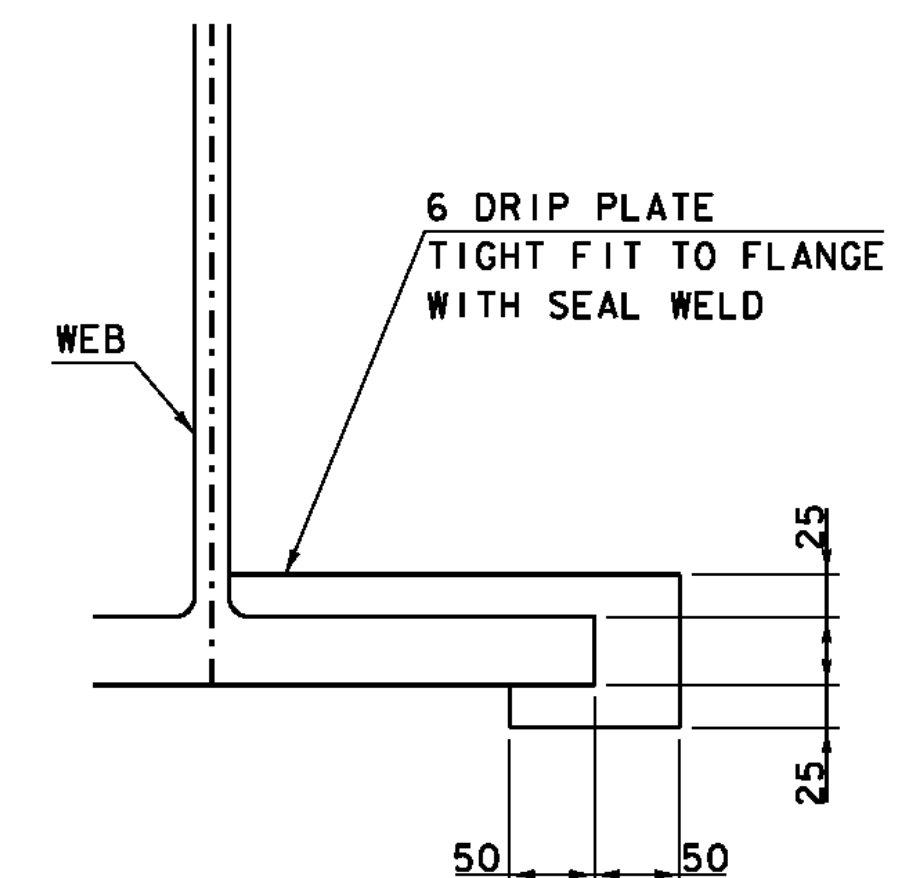
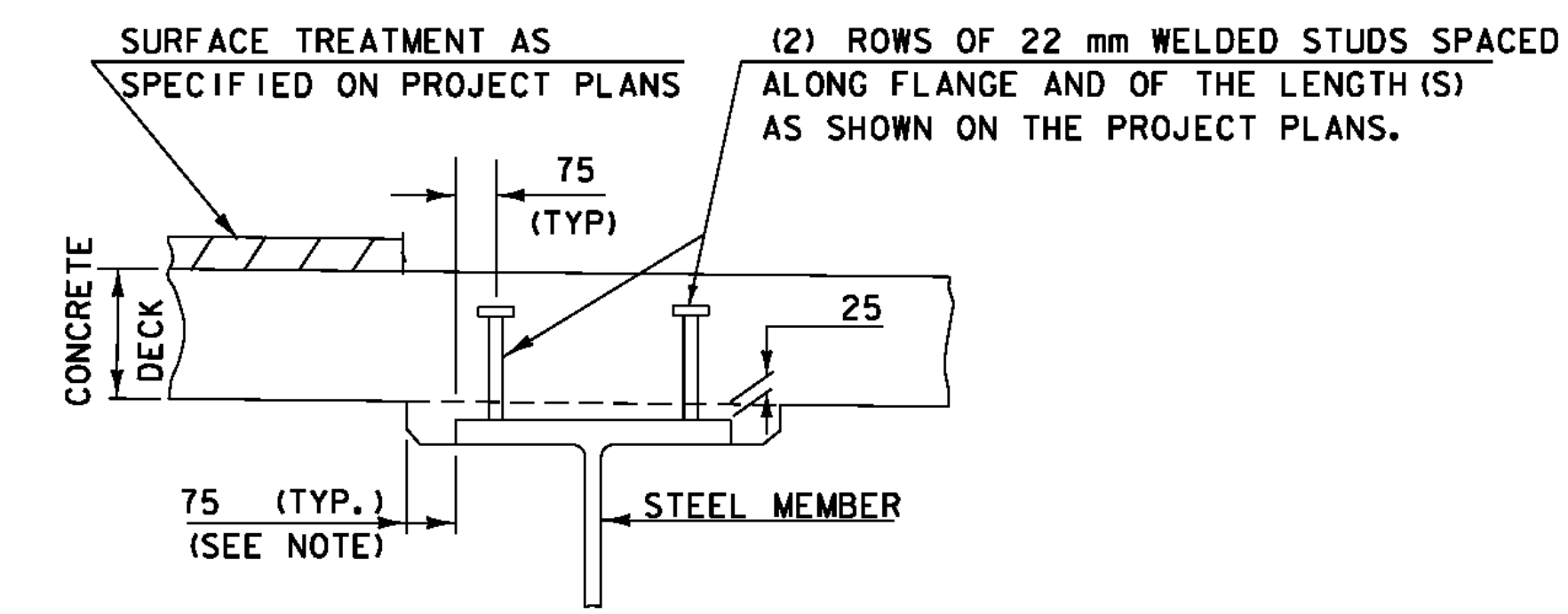


FRAMING PLAN
SCALE = 1:100

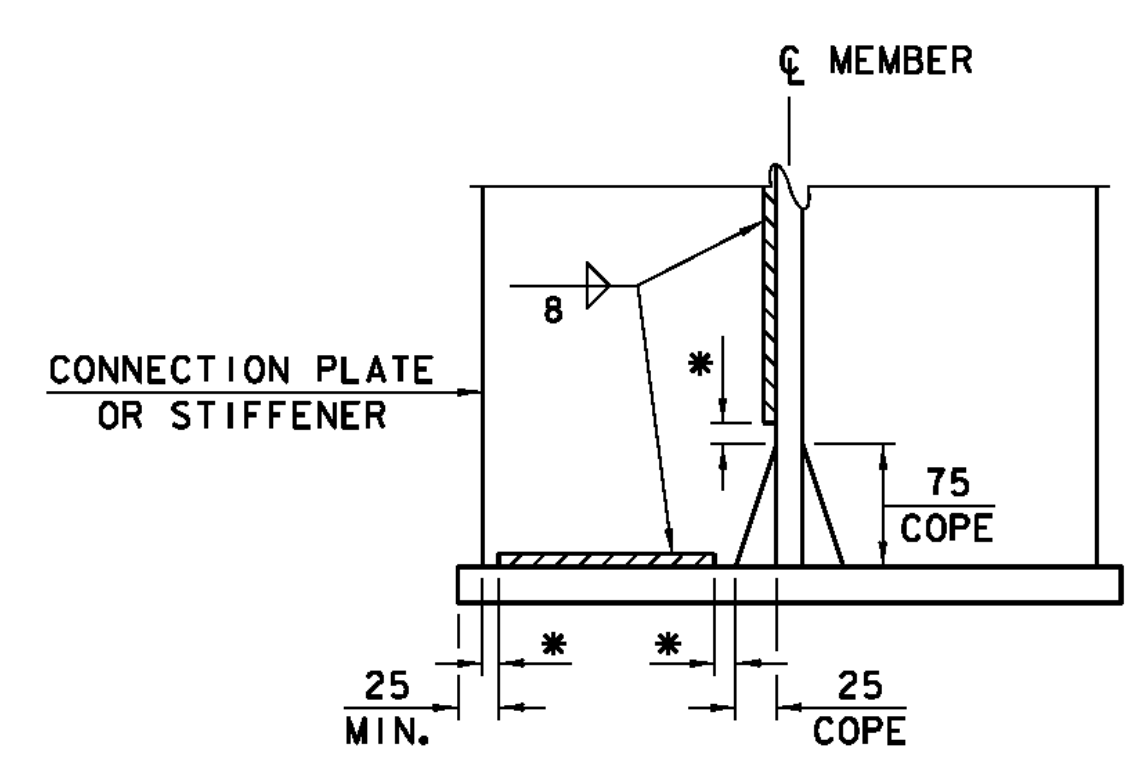


SECTION A-A
N. T. S.



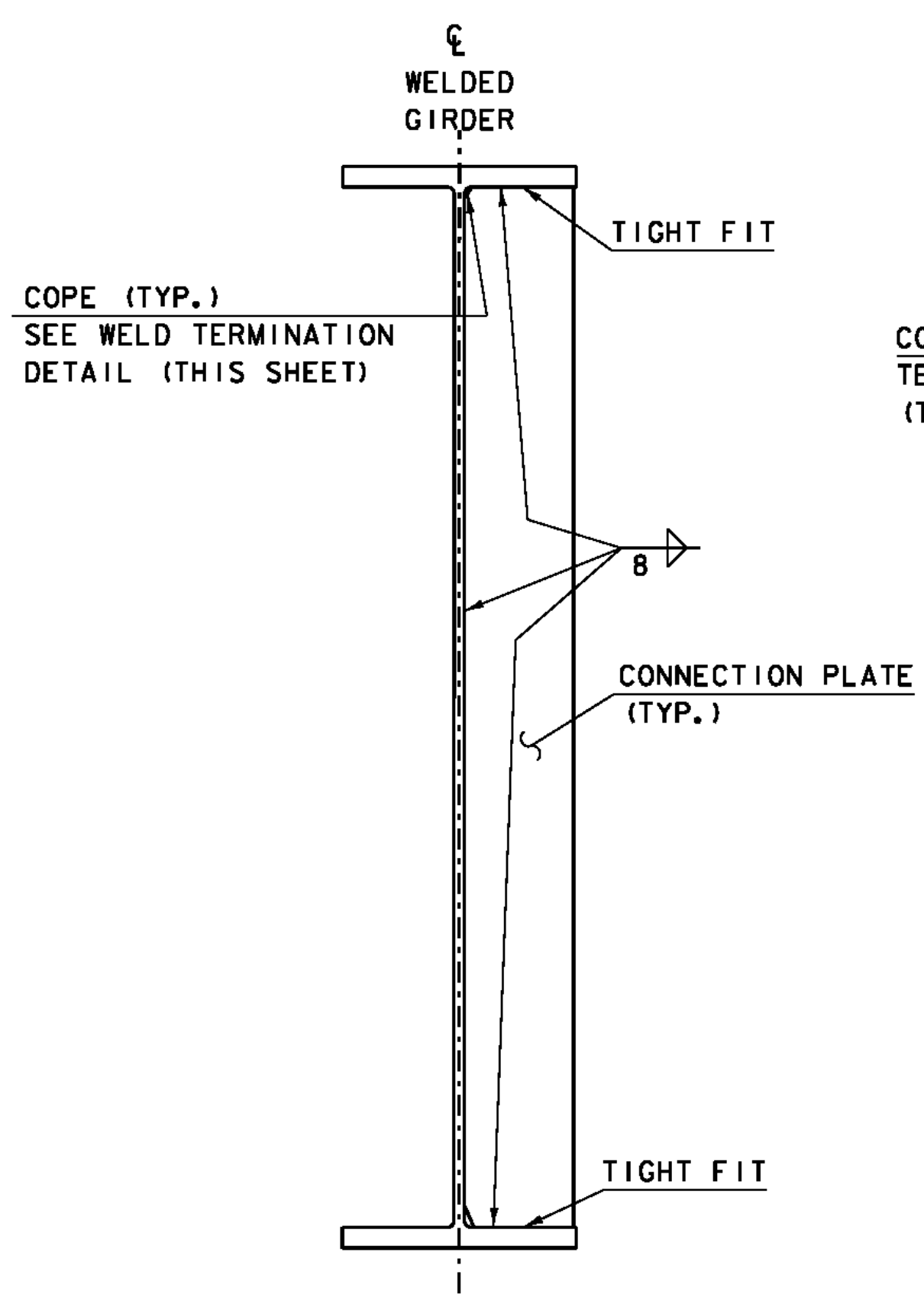
NOTE: THE 75 HORIZONTAL SECTION MAY BE ELIMINATED FOR FORMING SYSTEMS DESIGNED FOR THE CONSTRUCTION OF VERTICAL HAUNCHES. ANY VOIDS RESULTING FROM FORMING SYSTEM ELEMENTS SHALL BE FILLED WITH JOINT SEALER, POLYURETHANE MEETING THE REQUIREMENTS OF SECTION 524. THE COST OF THE JOINT SEALER, POLYURETHANE SHALL BE INCIDENTAL TO THE ADJACENT CONCRETE.

HAUNCH AND SHEAR CONNECTOR DETAIL
(NOT TO SCALE)

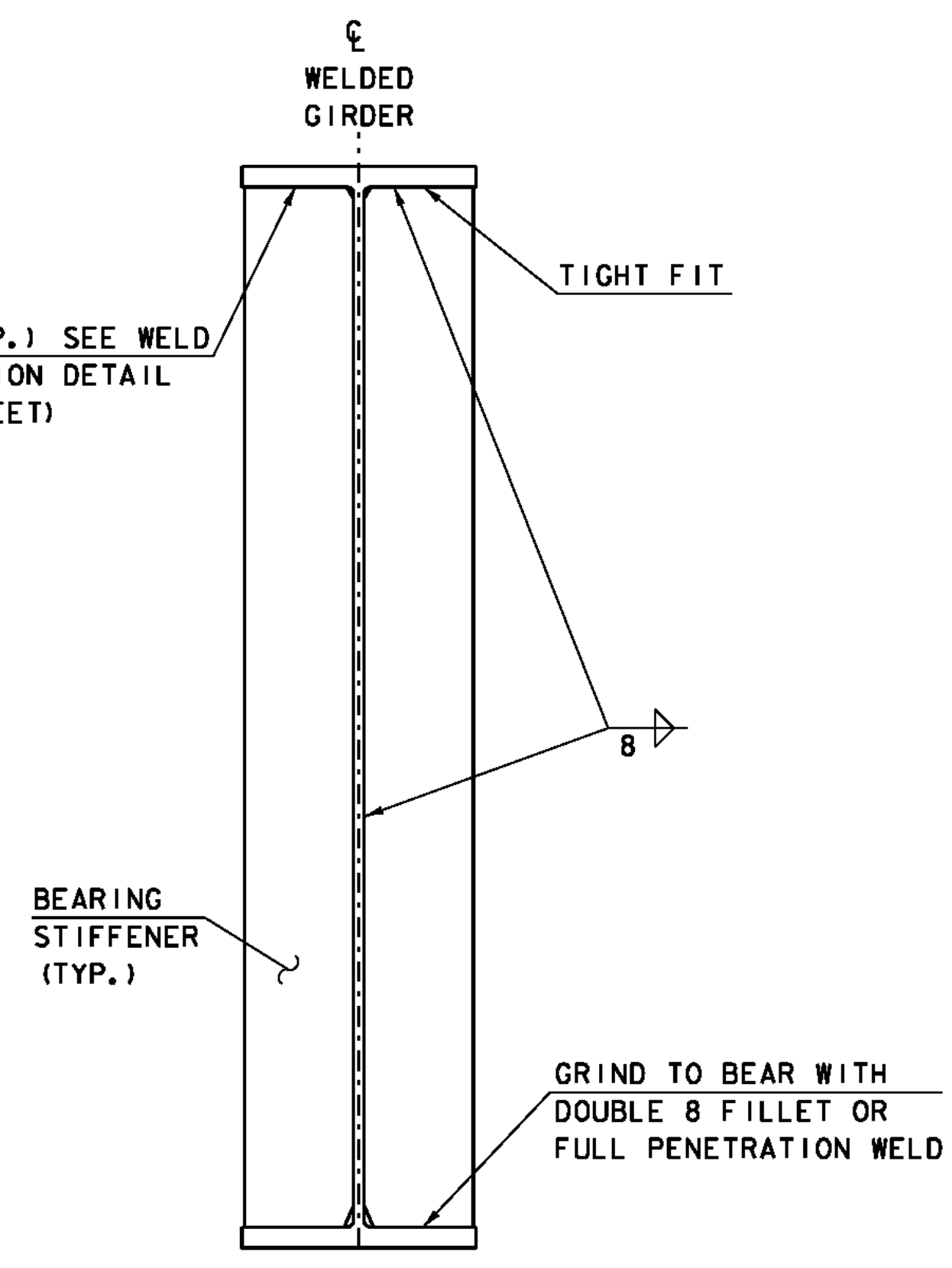


WELD TERMINATION AND COPING DETAIL FOR STEEL MEMBERS
N. T. S.

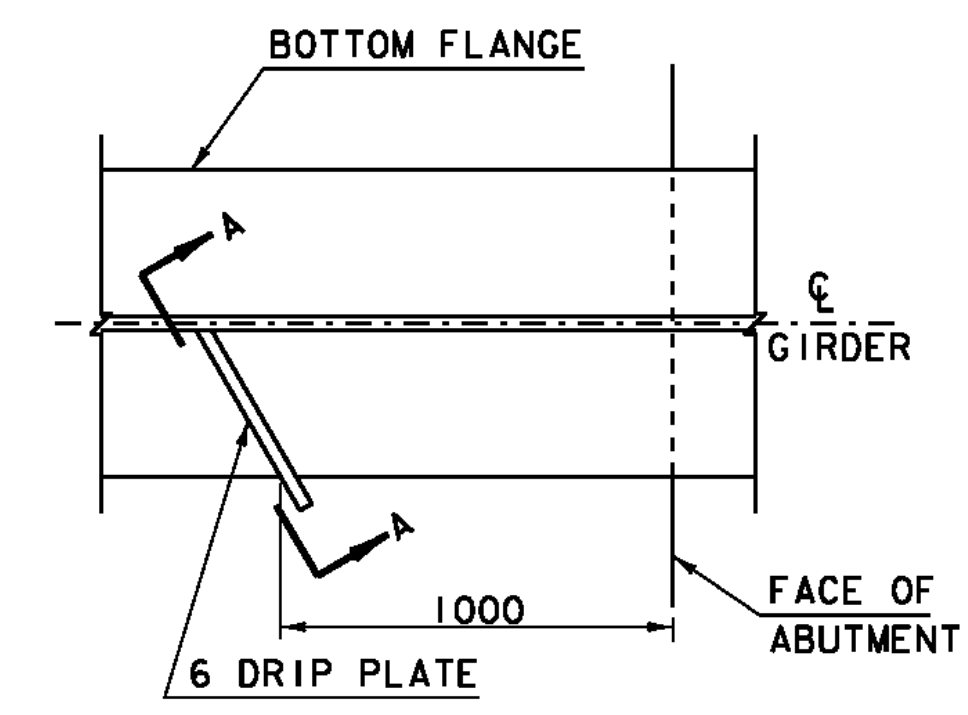
* NO WELD FOR 10 MIN., 22 MAX. (EXCEPT MUST MAINTAIN 25 MIN. FROM EDGE OF FLANGE)
N. T. S.



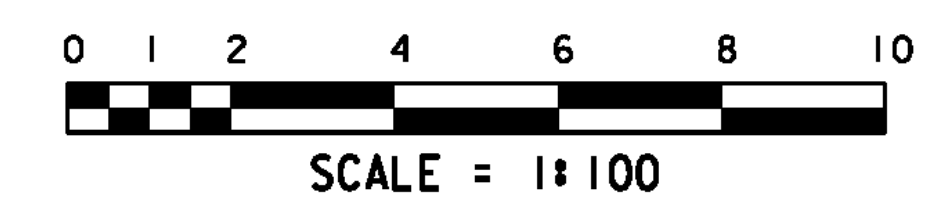
INTERMEDIATE CONNECTION PLATES AND/OR STIFFENERS FOR WELDED PLATE GIRDERS
N. T. S.



ABUTMENT BEARING STIFFENERS FOR WELDED PLATE GIRDERS
N. T. S.



DRIP PLATE PLAN VIEW
N. T. S.



NOTES:

- INTERMEDIATE CROSS FRAMES ARE ON RADIAL LINES FROM THE CENTER OF CURVE
- CONNECTION PLATES AT INTERMEDIATE CROSS FRAMES SHALL BE PERPENDICULAR TO FLANGES

PROJECT: STOCKBRIDGE	PROJECT NO. # BRF 022-1 (20)
DESIGN FILE NAME: 85e039\Structures\de039sup.dgn	PLOT DATE: 08-APR-2010
IPARM FILE NAME: de039frm.i	DRAWN BY: D. D. BEARD
DESIGNED BY: R. S. YOUNG	CHECKED BY: R. S. YOUNG
SQUAD LEADER: C. P. WILLIAMS	SHEET: 54 OF 139
FRAMING PLAN	