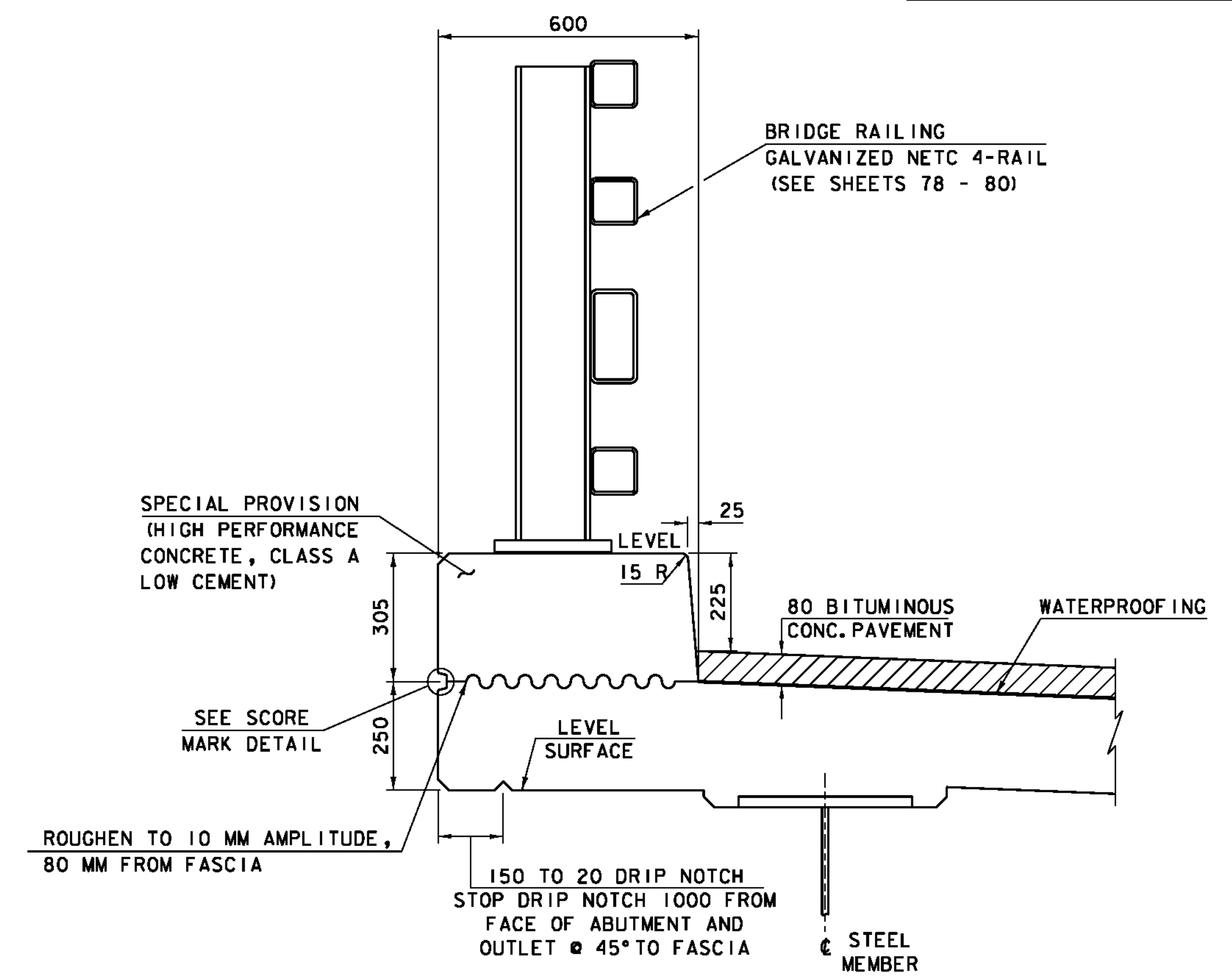
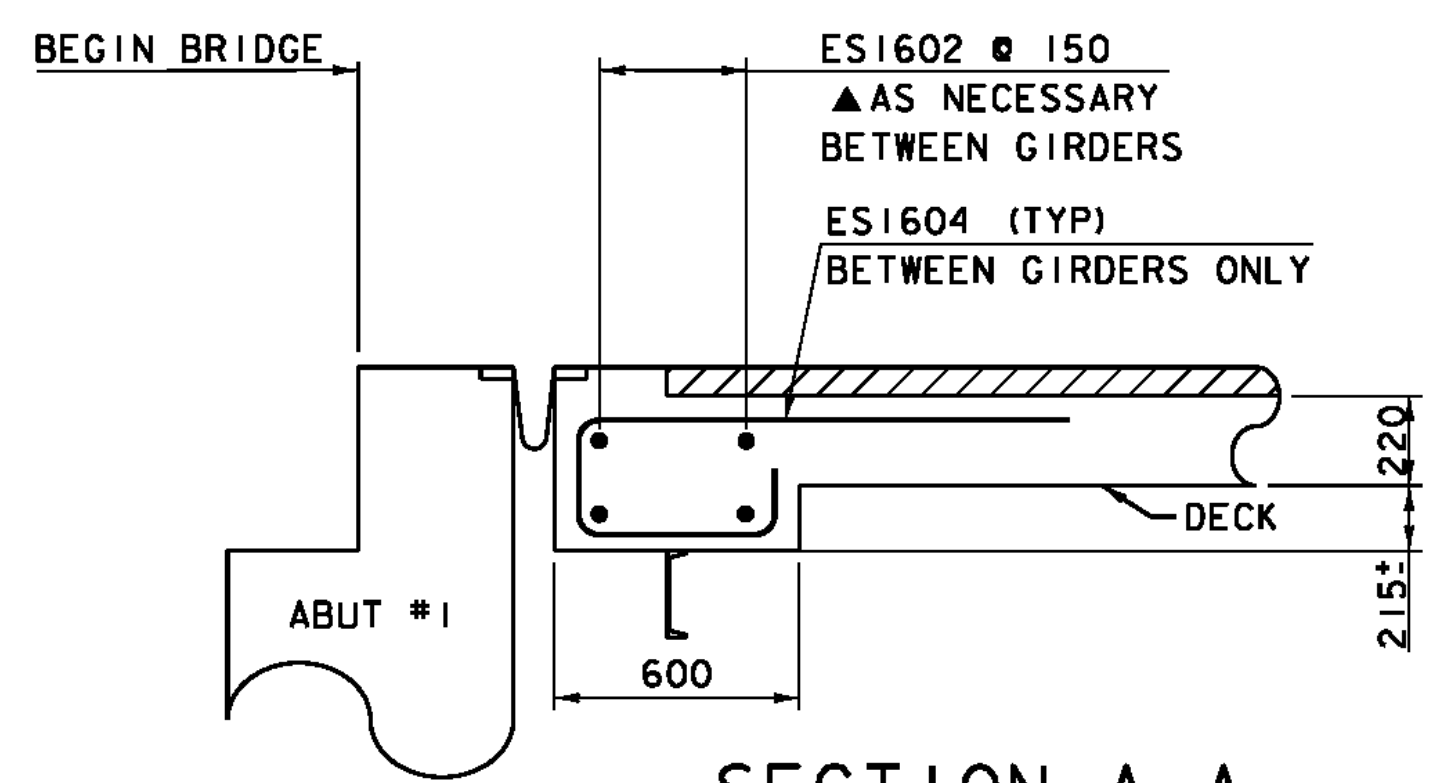


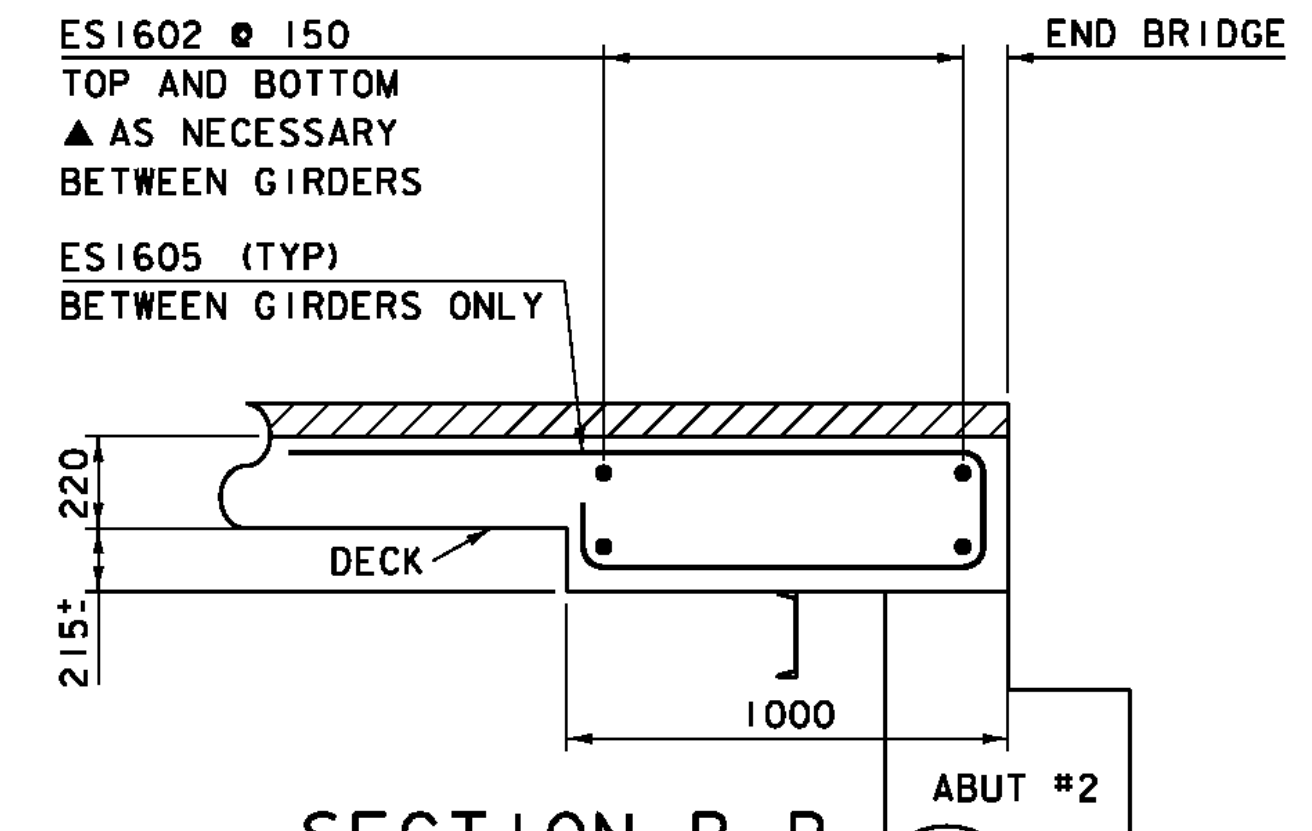
TYPICAL BRIDGE SECTION
SCALE = 1:30
NOTE: ALL DIMENSIONS ARE RADIAL



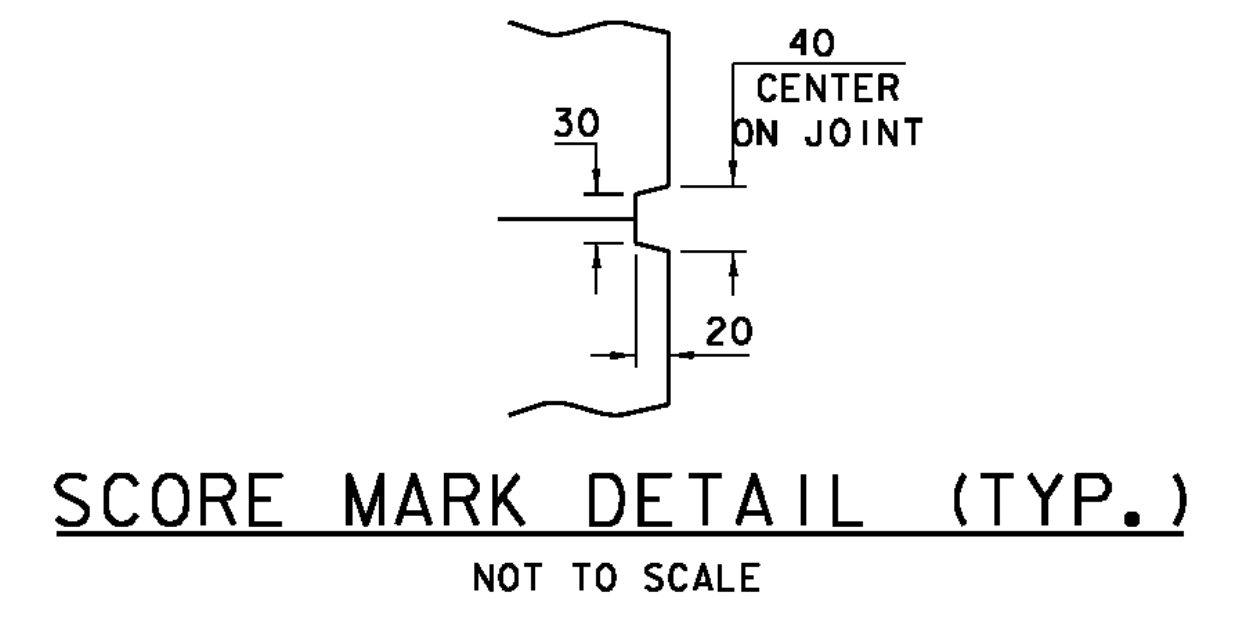
TYPICAL 600 MM CURB DETAIL
SCALE = 1:10



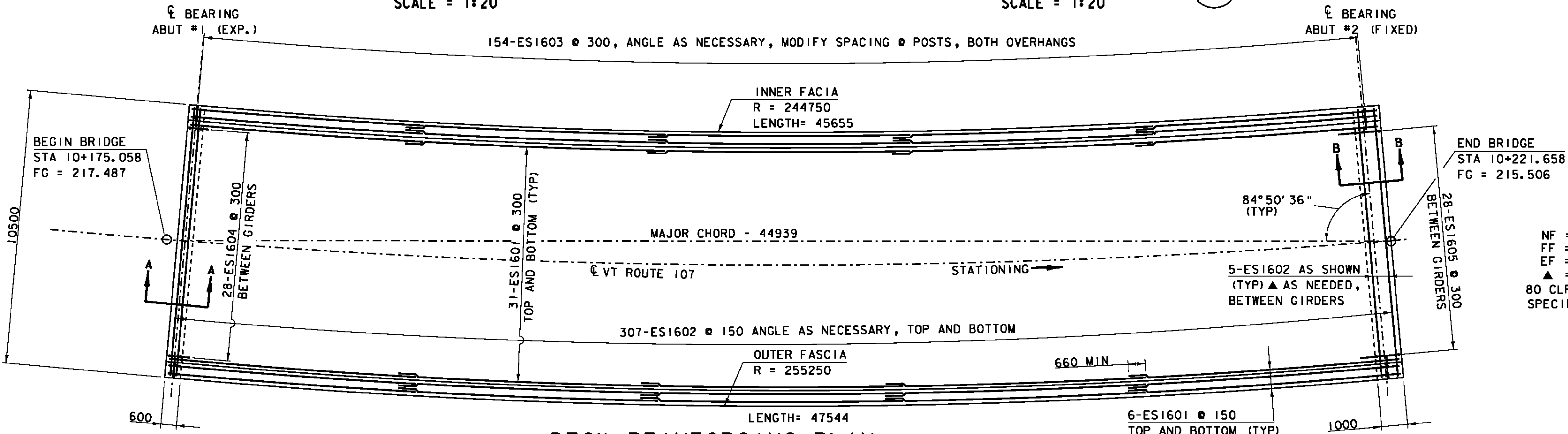
SECTION A-A
SCALE = 1:20



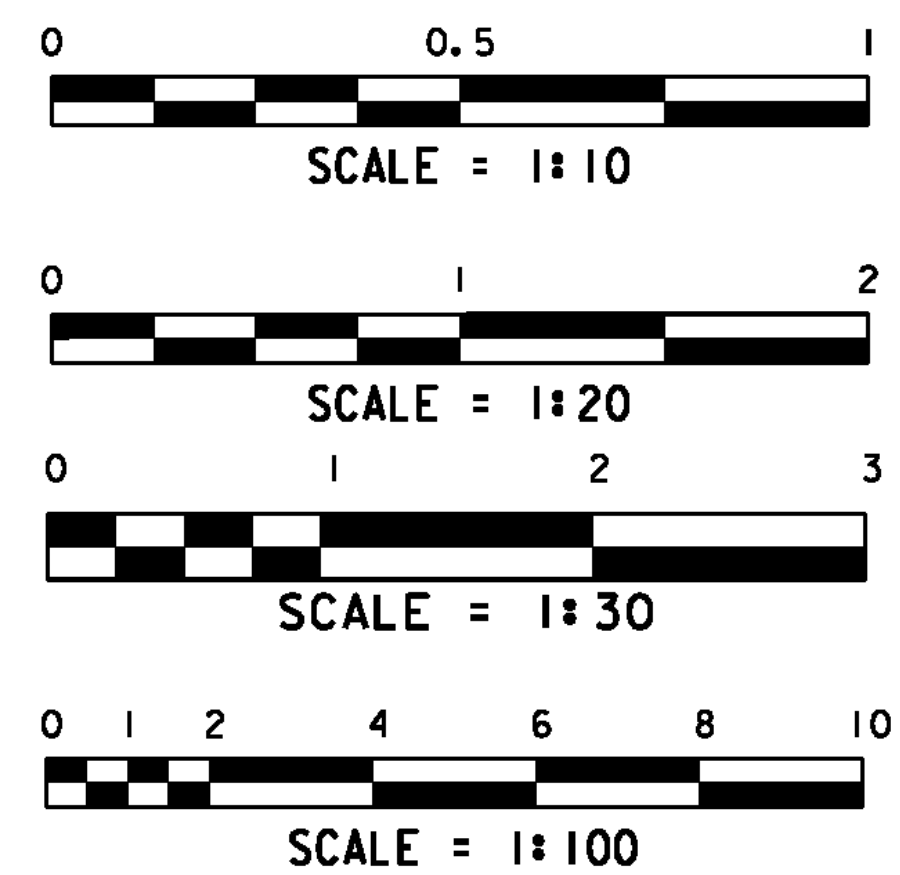
SECTION B-B
SCALE = 1:20



SCORE MARK DETAIL (TYP.)
NOT TO SCALE



DECK REINFORCING PLAN
SCALE = 1:100



NOTE:
NF = NEAR FACE
FF = FAR FACE
EF = EACH FACE
 \blacktriangle = CUT TO FIT IN FIELD
80 CLR. UNLESS OTHERWISE SPECIFIED ON THE PLANS.

PROJECT: STOCKBRIDGE	PROJECT NO.: BRF 022-1 (20)
DESIGN FILE NAME: 85e039/Structures/de039sup.dgn	PLOT DATE: 08-APR-2010
IPARM FILE NAME: de039dck.i	DRAWN BY: D. D. BEARD
DESIGNED BY: R. S. YOUNG	CHECKED BY: H. SALLS
SQUAD LEADER: C. P. WILLIAMS	SHEET: 53 OF 139
DECK DETAILS AND REINFORCING	