

REMOVE AND RESET TEMPORARY TRAFFIC BARRIER  
 REMOVE STA 10+275.00 RT - 10+295.00 LT  
 RESET TO STA 10+275.00 - 10+295.00 RT

TEMPORARY TRAFFIC BARRIER  
 STA 10+275.00 - 10+315.00 CL  
 STA 10+295.00 RT - 10+315.00 CL

TEMPORARY 100 mm WHITE LINE  
 STA 10+275.00 - 10+340.00 (2)

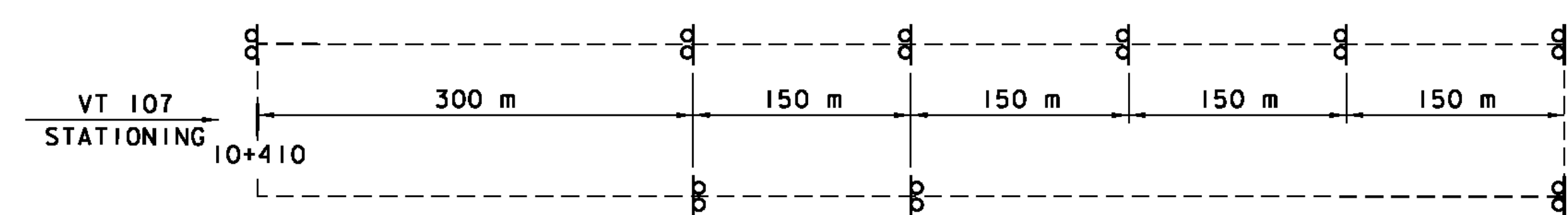
TEMPORARY 100 mm YELLOW LINE  
 STA 10+275.00 - 10+340.00 LT (DBL)

REMOVAL OF EXISTING PAVEMENT MARKINGS  
 STA 10+300.00 - 10+340.00 LT

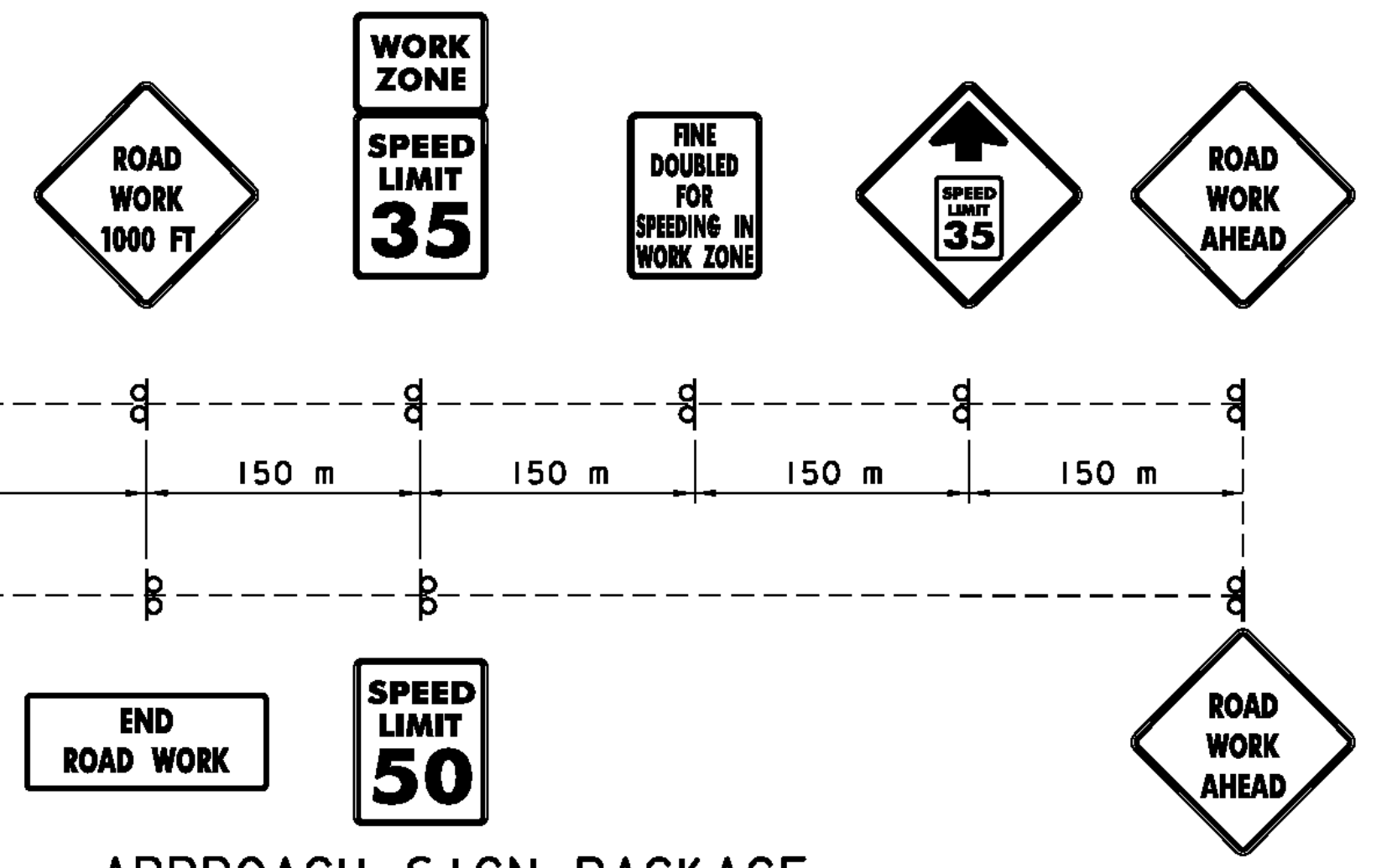
ENERGY ABSORPTION ATTENUATOR  
 STA 10+315

SIGNS TO BE LOCATED AS PER  
 STANDARDS E-100 & E-107

LEGEND	
	- SIGN POSTS
	- TYPE III BARRICADES (MOD.)
	- TEMP. TRAFFIC BARRIER
	- RETROREFLECTORIZED BARREL
	- TEMPORARY STEEL SHEET PILING
	- PAVEMENT MARKING REMOVAL
	- ENERGY ABSORPTION ATTENUATOR



# PHASE B TRAFFIC CONTROL LAYOUT 4



## APPROACH SIGN PACKAGE

N. T. S.

PROJECT NAME: STOCKBRIDGE  
 PROJECT NUMBER: BRF 022-1 (20)

FILE NAME: str4/85e039/de039bdr.dgn PLOT DATE: 08-APR-2010  
 PROJECT LEADER: C.P. Williams DRAWN BY: H.I. Salls  
 DESIGNED BY: H.I. Salls CHECKED BY: R.S. Young  
 TRAFFIC CONTROL SHEET 35 OF 139