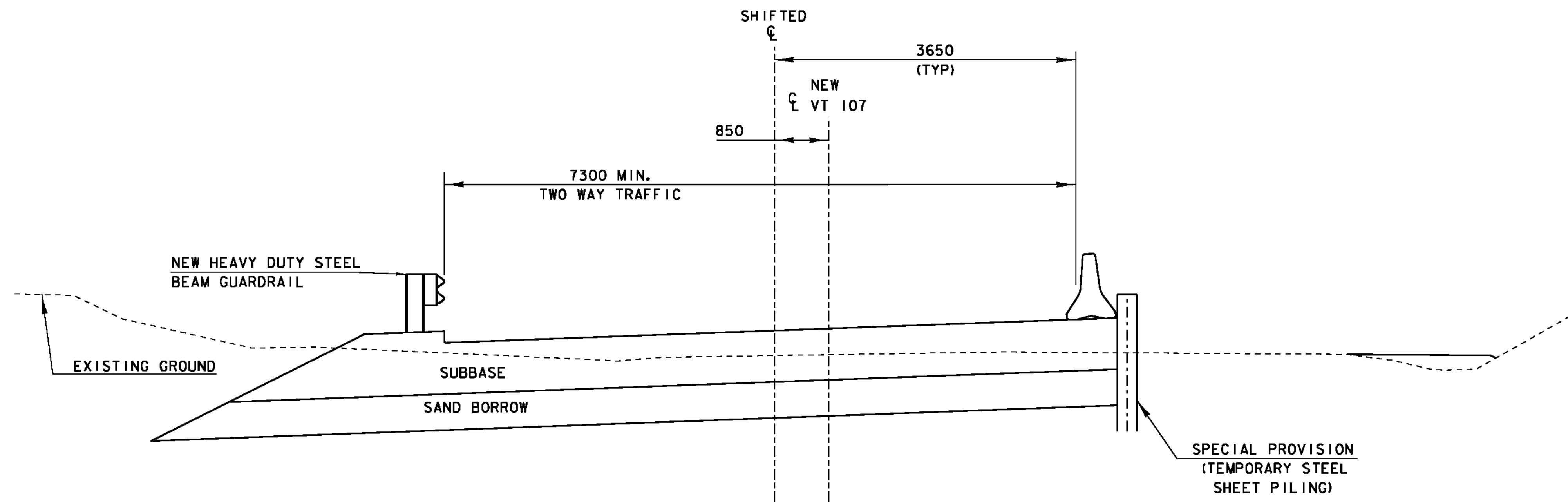


STATION 10+070
 PHASE B
 NTS



STATION 10+070
 PHASE C
 NTS

PROJECT:	STOCKBRIDGE	PROJECT NO. :	BRF 022-1 (20)
DESIGN FILE NAME:	85e039/de039phasing.dgn		
SQUAD LEADER:	C. P. WILLIAMS	PLOT DATE:	08-APR-2010
DESIGNED BY:	H. I. SALLS	CHECKED BY:	R. S. YOUNG
IPARM FILE NAME:	de039phase2.i	DRAWN BY:	H. I. SALLS
PHASED CONSTRUCTION DETAILS 2		SHEET:	25 OF 139