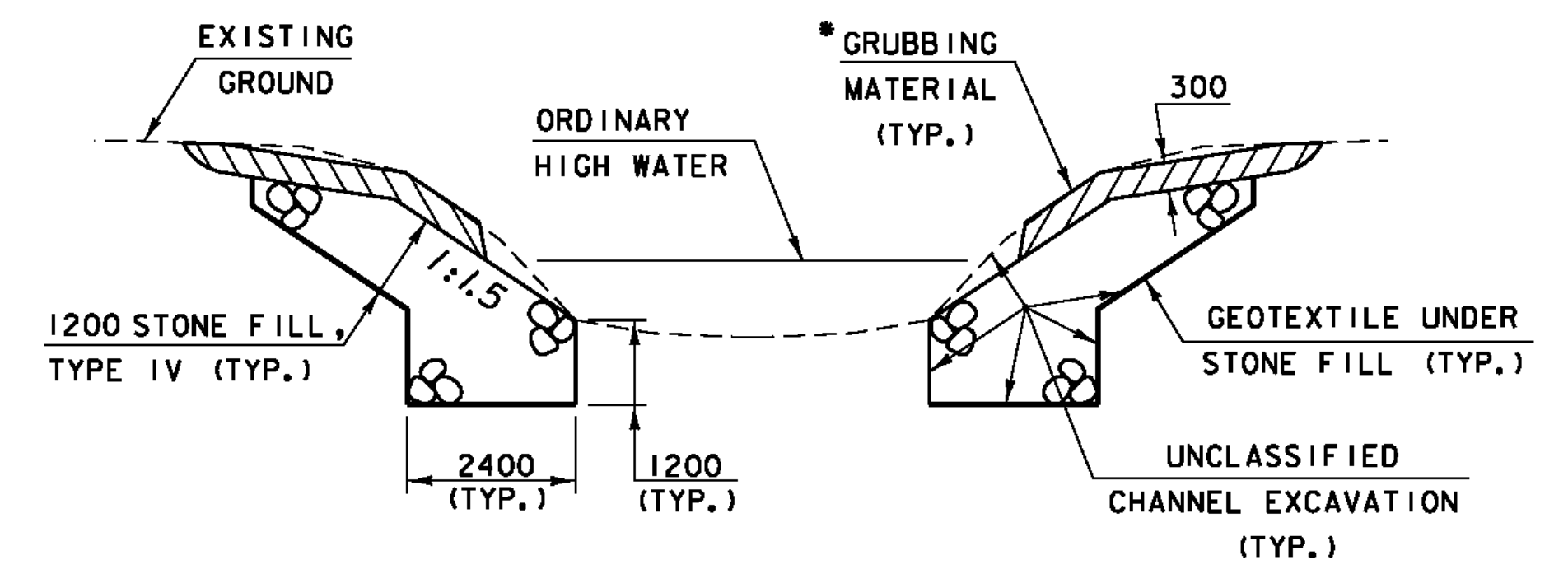
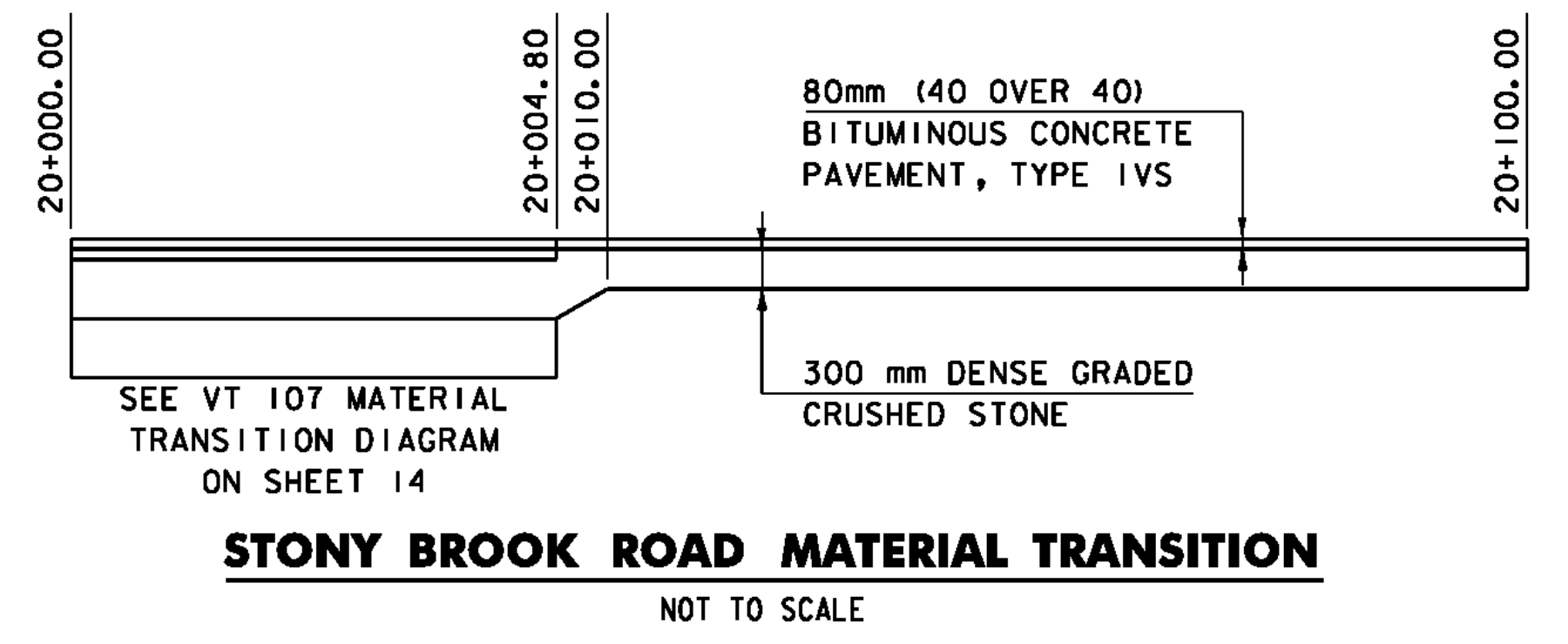


* 40 TYPE IVS OVER
 40 TYPE IVS
 PAID FOR UNDER ITEM 900.680 "SPECIAL PROVISION (BITUMINOUS CONCRETE PAVEMENT, SMALL QUANTITY)"



* GRUBBING MATERIAL SHALL NOT BE PLACED ON THE STONE FILL IN THE AREA UNDER THE BRIDGE. WHENEVER CHANNEL SLOPE INTERSECTS ROADWAY SUBBASE, GRUBBING MATERIAL SHALL BEGIN AT THE BOTTOM OF SUBBASE.



PROJECT NAME:	STOCKBRIDGE	PLOT DATE:	08-APR-2010
PROJECT NUMBER:	BRF 022-(K20)	DRAWN BY:	H.SALLS
FILE NAME:	xe039frm.dgn	CHECKED BY:	R.S.YOUNG
PROJECT LEADER:	C.P. Williams	TYPICAL BRIDGE SECTION	SHEET 4 OF 139
DESIGNED BY:	R.S.YOUNG		