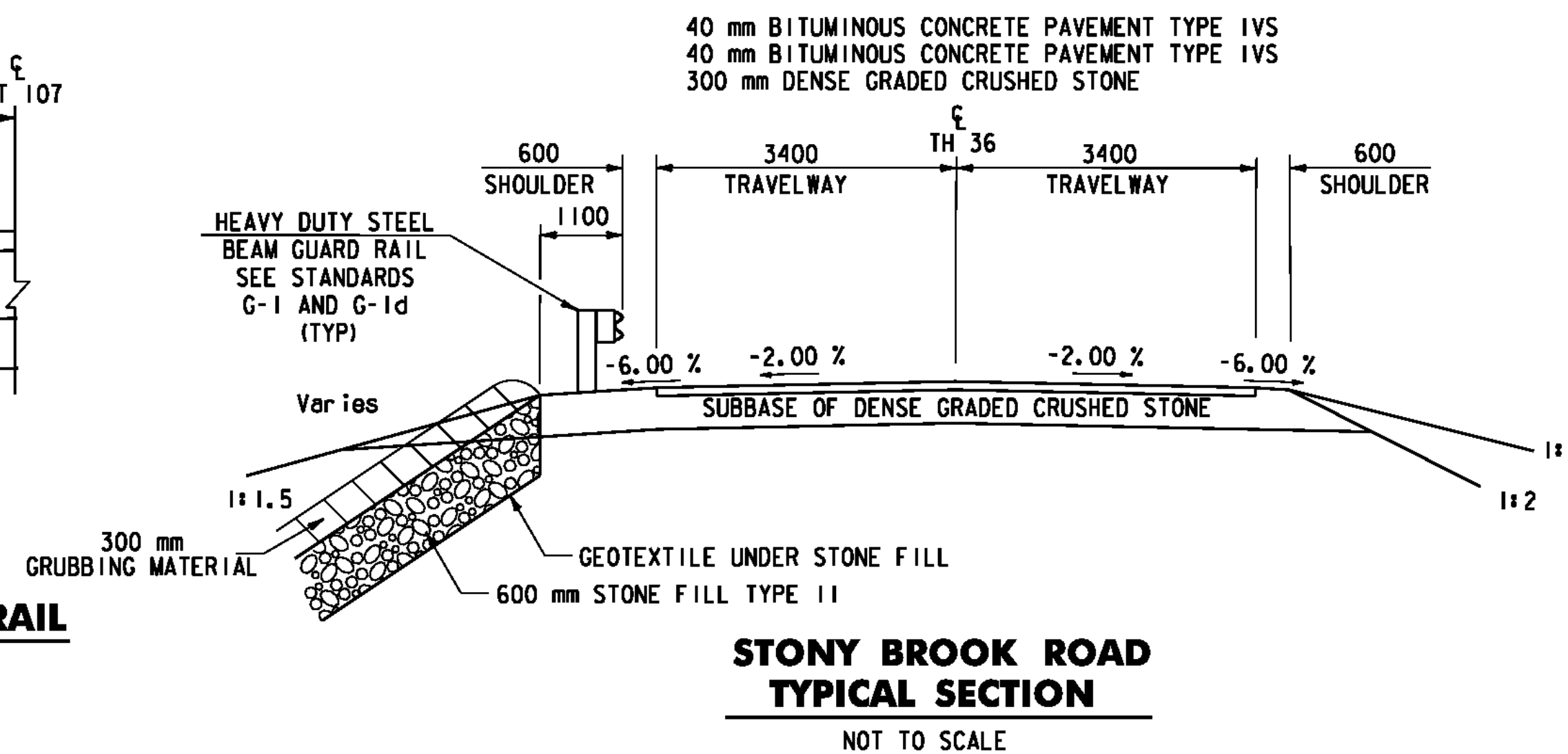
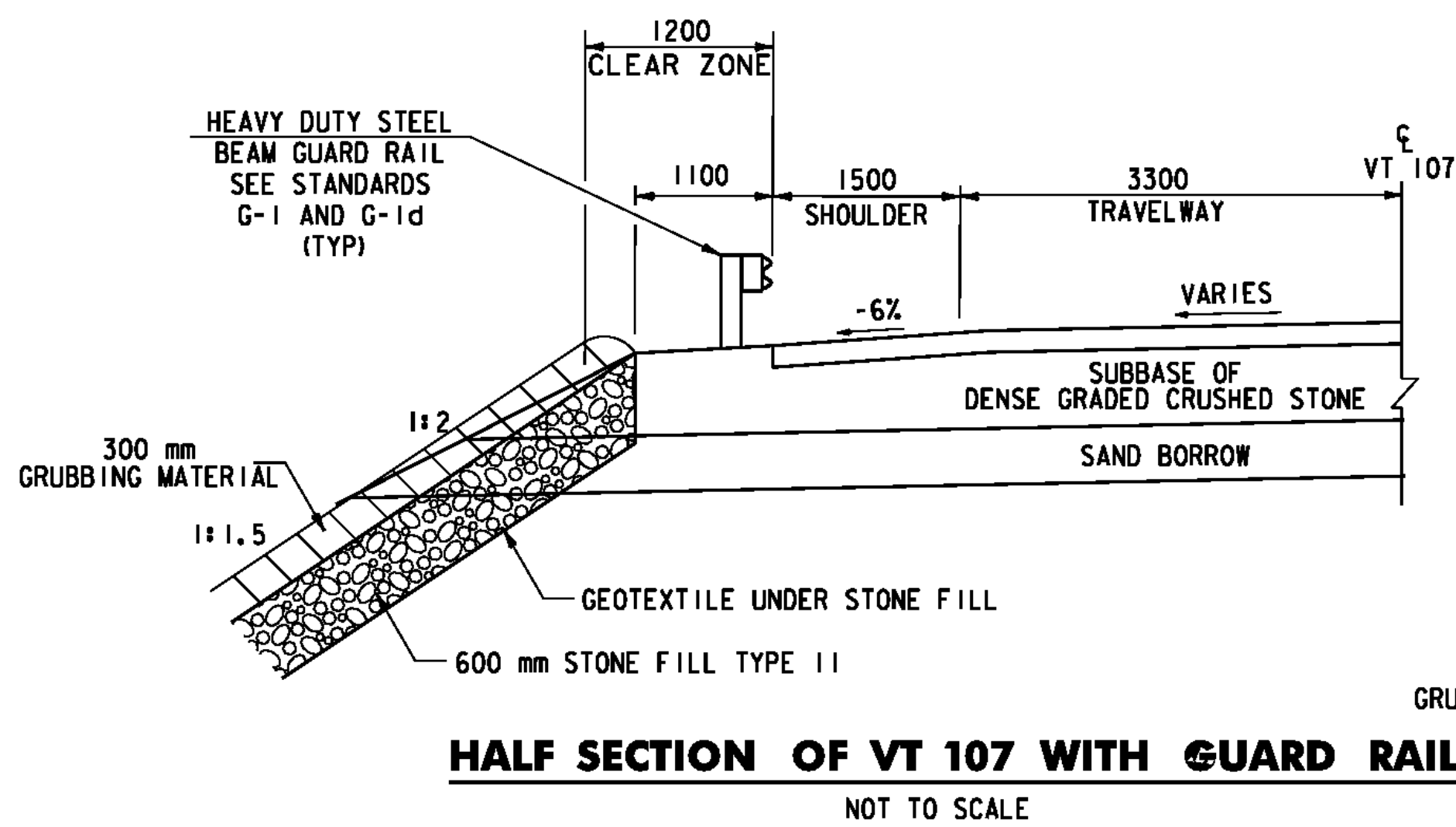
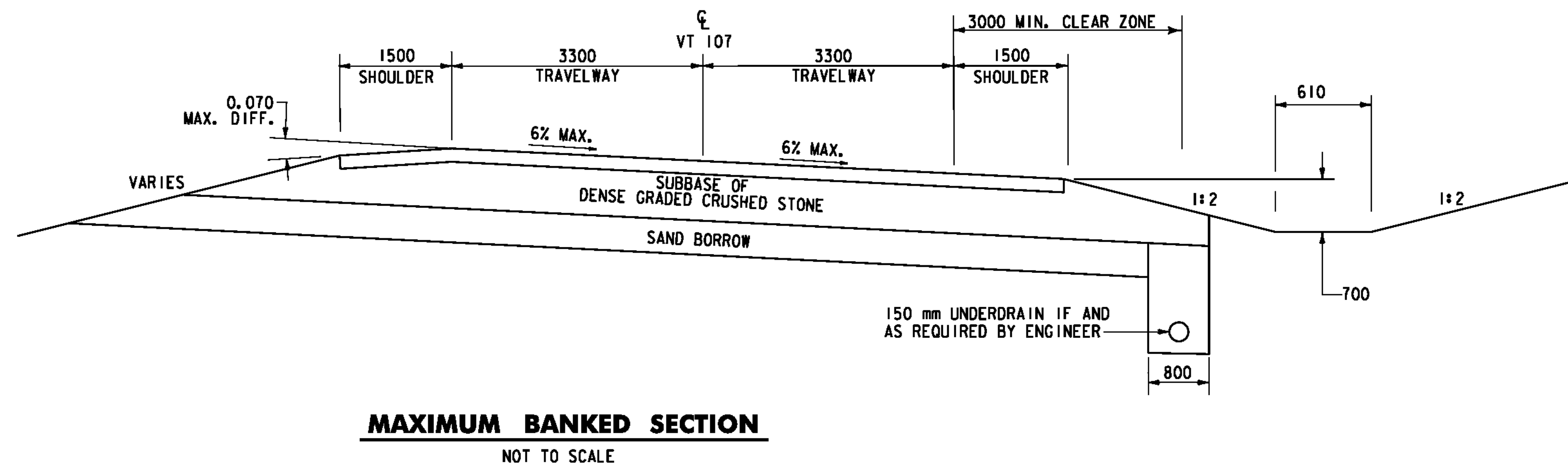
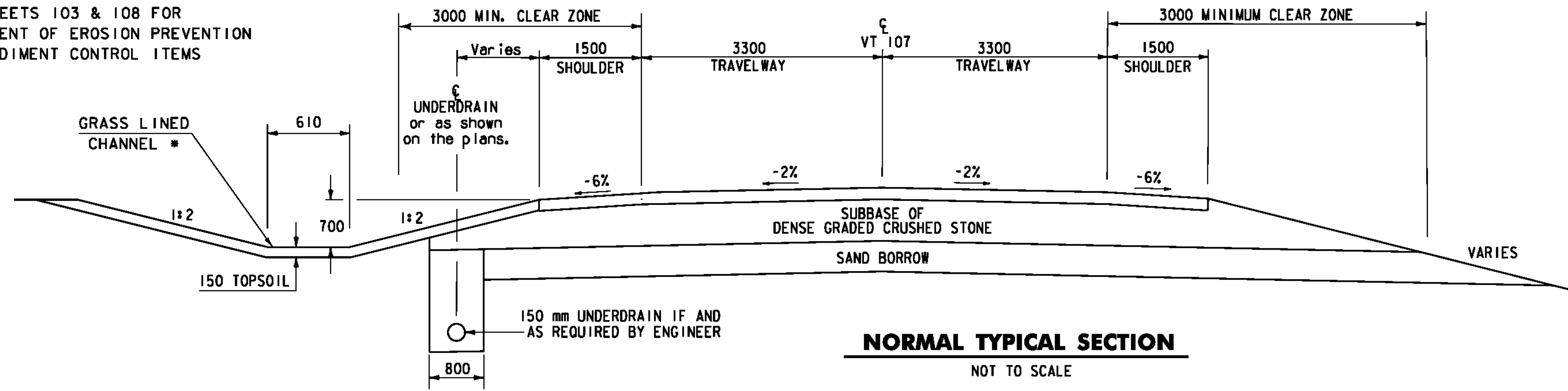


TYPICAL ROADWAY SECTIONS

40 mm BITUMINOUS CONCRETE PAVEMENT TYPE IVS
 40 mm BITUMINOUS CONCRETE PAVEMENT TYPE IVS
 65 mm BITUMINOUS CONCRETE PAVEMENT TYPE IIS
 65 mm BITUMINOUS CONCRETE PAVEMENT TYPE IIS
 610 mm DENSE GRADED CRUSHED STONE
 450 mm SAND BORROW

NOTE: BITUMINOUS CONCRETE PAVEMENT SHALL BE PAID FOR UNDER ITEM 900.680 "SPECIAL PROVISION (BITUMINOUS CONCRETE PAVEMENT, SMALL QUANTITY)"

* SEE SHEETS 103 & 108 FOR PLACEMENT OF EROSION PREVENTION AND SEDIMENT CONTROL ITEMS



NOTE: SEE SHEET 130 FOR DRIVE SECTIONS

MATERIAL TOLERANCES

(IF USED ON PROJECT)

SURFACE	
- PAVEMENT (TOTAL THICKNESS)	+/- 6 mm
- AGGREGATE SURFACE COURSE	+/- 13 mm
SUBBASE	
	+/- 25 mm
SAND BORROW	
	+/- 25 mm

PROJECT NAME:	STOCKBRIDGE	PLOT DATE:	08-APR-2010
PROJECT NUMBER:	BRF 022-1(20)	DRAWN BY:	M DRAPER
FILE NAME:	str5/85e039/de039typ.dgn	CHECKED BY:	R.S.YOUNG
PROJECT LEADER:	C.P. WILLIAMS	TYPICAL ROADWAY SECTIONS	SHEET 3 OF 139