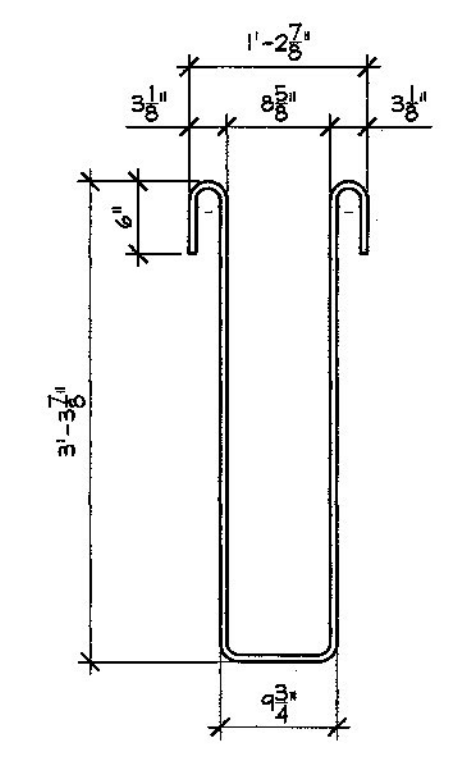
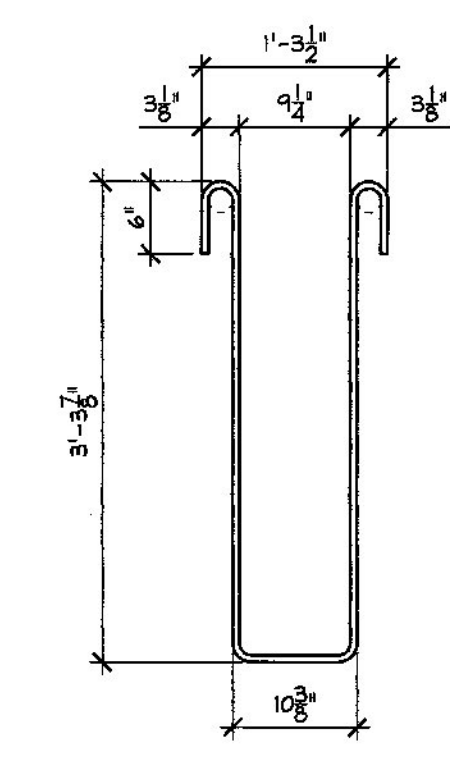


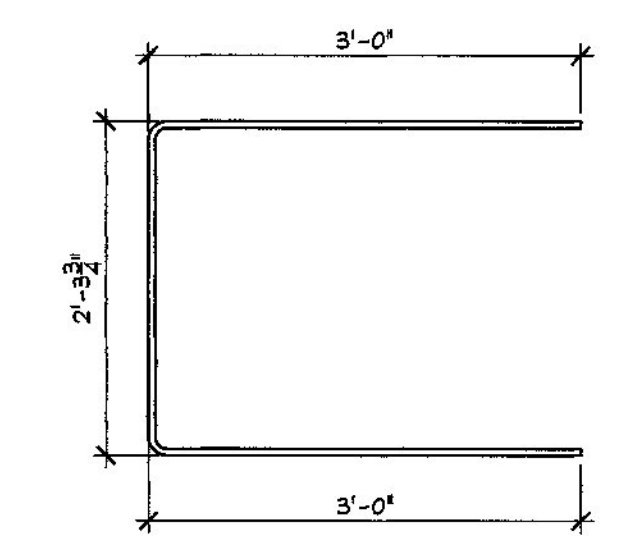
MISCELLANEOUS MATERIALS				
ITEM	MARK	QTY.	DESCRIPTION	REMARKS
1		20	#4 x 8'-1" (LEVEL II)	
2		20	#4 x 10'-8" (LEVEL II)	
3		20	#4 x 10'-0" (LEVEL II)	
4				
5	MK-SLI	36	MODIFIED DAYTON SUPERIOR C-24 45' TYPE 4-APR HANGER (GALV.)	SEE DETAIL THIS SHEET
6				
7		2	HWF 4x4-14x14 (STAINLESS STEEL) (7'-8" x 76'-10")	
8		2	HWF 4x4-14x14 (STAINLESS STEEL) (10'-2" x 77'-8")	
9		16	SET OF (4) 0.60"φ x 270 KSI STRAND LIFTING LOOPS	
10				



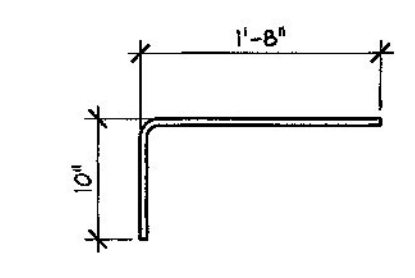
**SL-401L**  
#4 BENT BAR (LEVEL II)  
USE 2"φ 150 mmφ PIN  
(606) REQ'D.



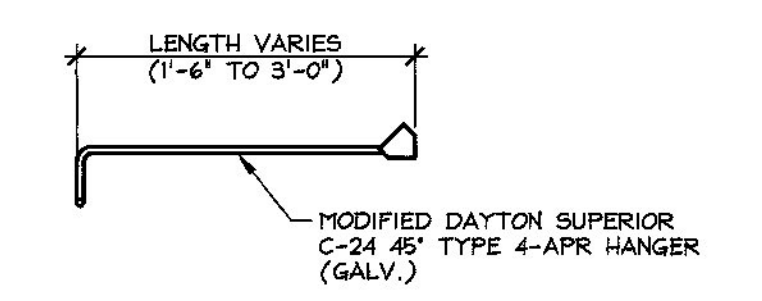
**SL-402L**  
#4 BENT BAR (LEVEL II)  
USE 2"φ 150 mmφ PIN  
(32) REQ'D.



**SL-403L**  
#4 BENT BAR (LEVEL II)  
USE 2"φ 150 mmφ PIN  
(64) REQ'D.



**SL-501L**  
#5 BENT BAR (LEVEL II)  
USE 2 3/4"φ (70 mm) PIN  
(1,184) REQ'D.



**MK-SLI**  
1" = 1'-0"

Vermont Agency of Transportation  
**RECEIVED**

CK'D BY HIS \_\_\_\_\_ OK'D BY CLB \_\_\_\_\_

September 9, 2013

RESUBMIT \_\_\_\_\_ Approved \_\_\_\_\_

BY C. Carlson \_\_\_\_\_ DATE 10/02/2013

APPROVAL STAMP:	<b>J.P. CARRARA &amp; SONS INC.</b> Precast & Prestress Manufacturer <small>244 GAZ ST. MIDDLEBURY, VERMONT 05753 Phone: (802)388-6361 Fax: (802)388-8010</small>		<b>AUSTIN CONSTRUCTION</b> CONTRACTOR CONCORD, VERMONT	
	STATE OF VERMONT AGENCY OF TRANSPORTATION COUNTY OF LAMOILLE		DATE: SEPT. 6, 2013 SCALE: NOTED	
	TOWN OF STOWE ROUTE NO. VT 100, MINOR ARTERIAL BRIDGE NO.: 208 PROJECT NO.: BRP 029-1(17)		CHKD: - DFTM: B.L. JOB NO: 23398-013	
	<b>MATERIALS LIST</b>		DWG. NO: <b>M1</b>	

F:\VT-Bridges\23398-13 Stowe 10023398.M1.dwg 9/6/2013 9:57:41 AM