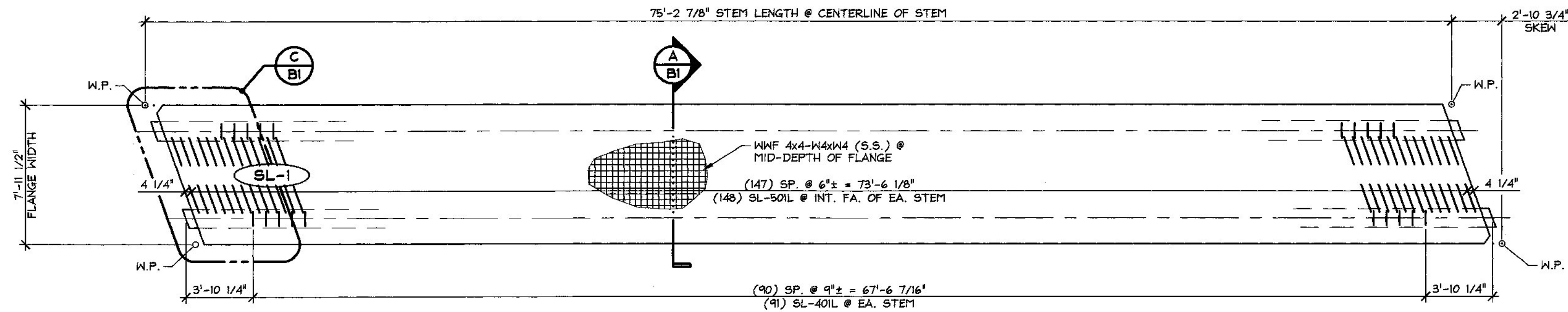
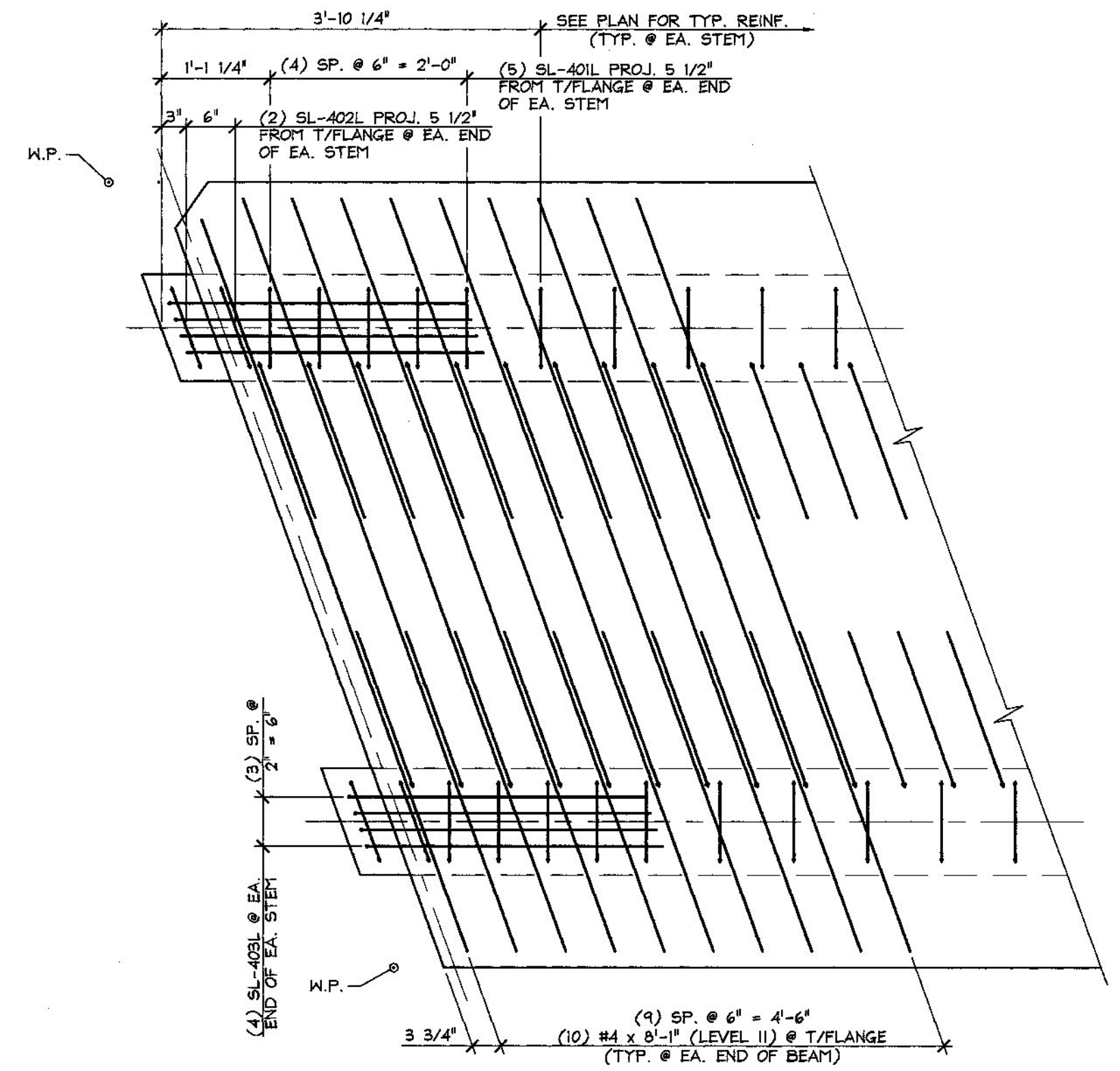


1 DIMENSIONAL NEXT BEAM PLAN VIEW IN FORM
3/16" = 1'-0"



2 REINFORCING NEXT BEAM PLAN VIEW IN FORM
3/16" = 1'-0"



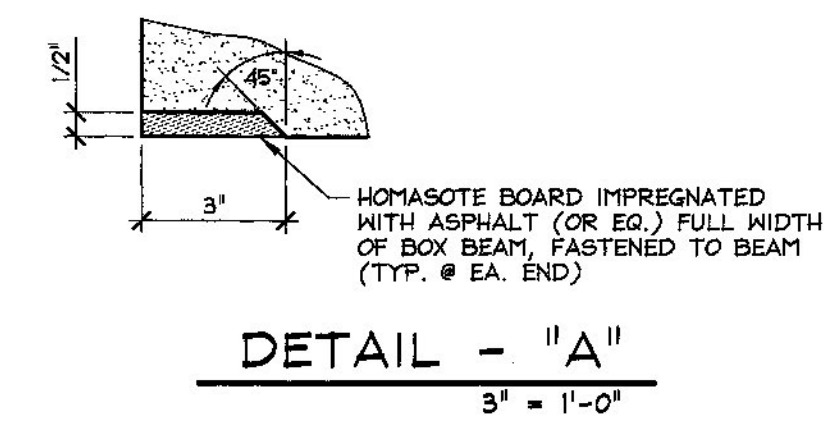
C END BLOCK REINFORCING PLAN
3/4" = 1'-0"

Vermont Agency of Transportation
RECEIVED
Next Beam Shop Drawings Approved.pdf

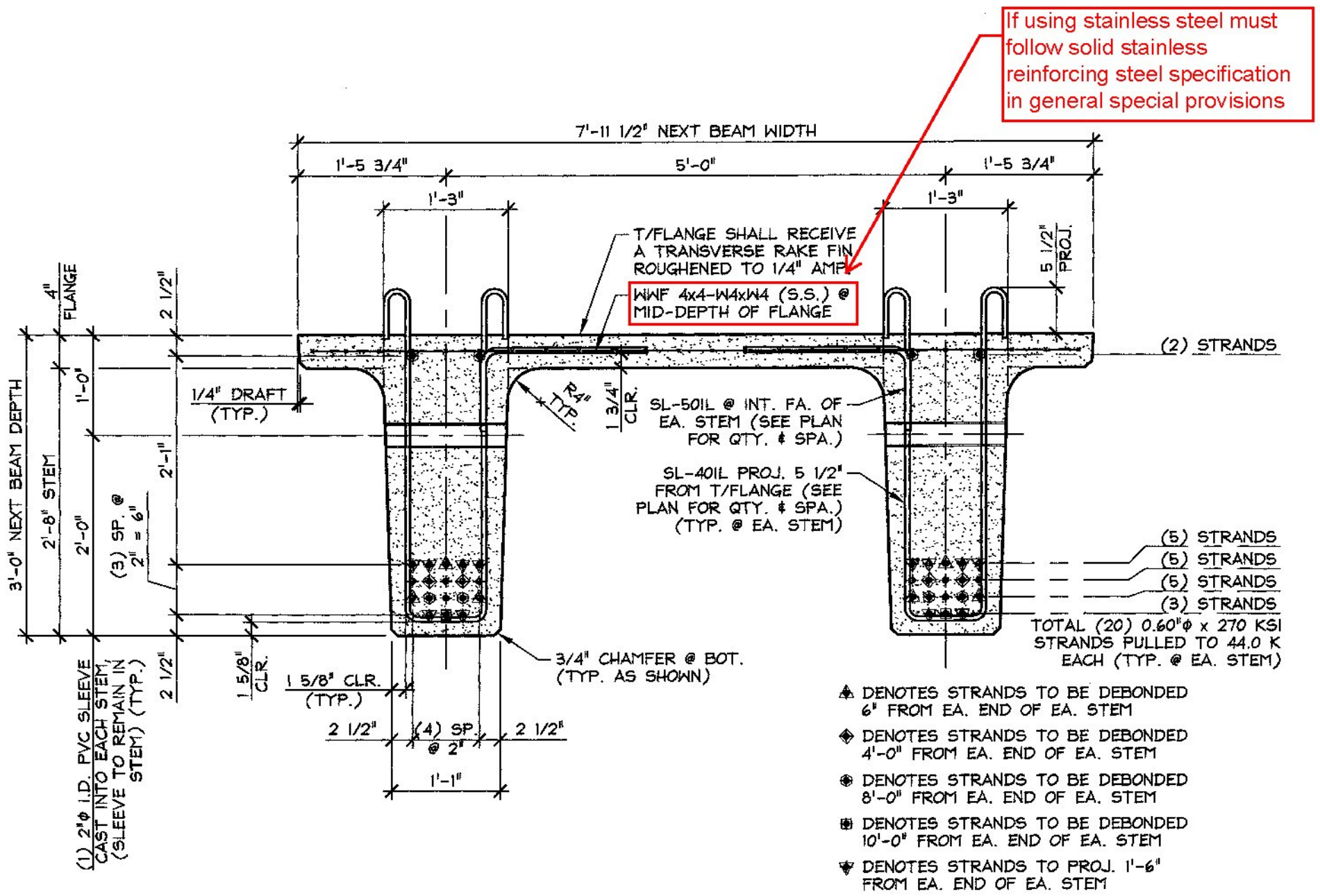
CK'D BY HIS OK'D BY CLB

September 9, 2013

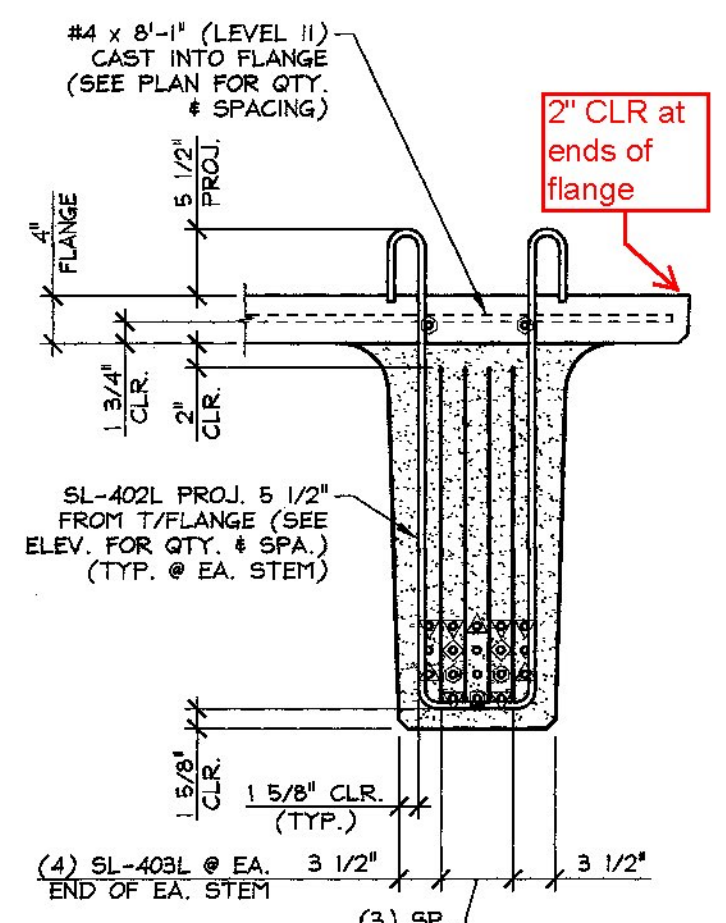
RESUBMIT Approved AsNoted
BY C. Carlson DATE 10/02/2013



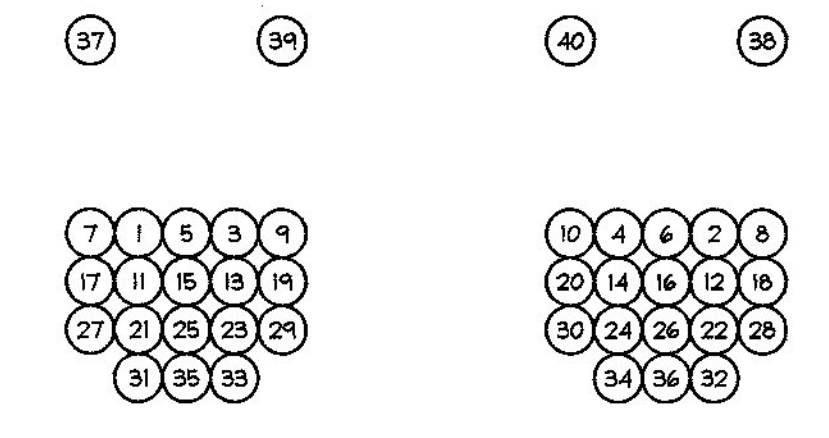
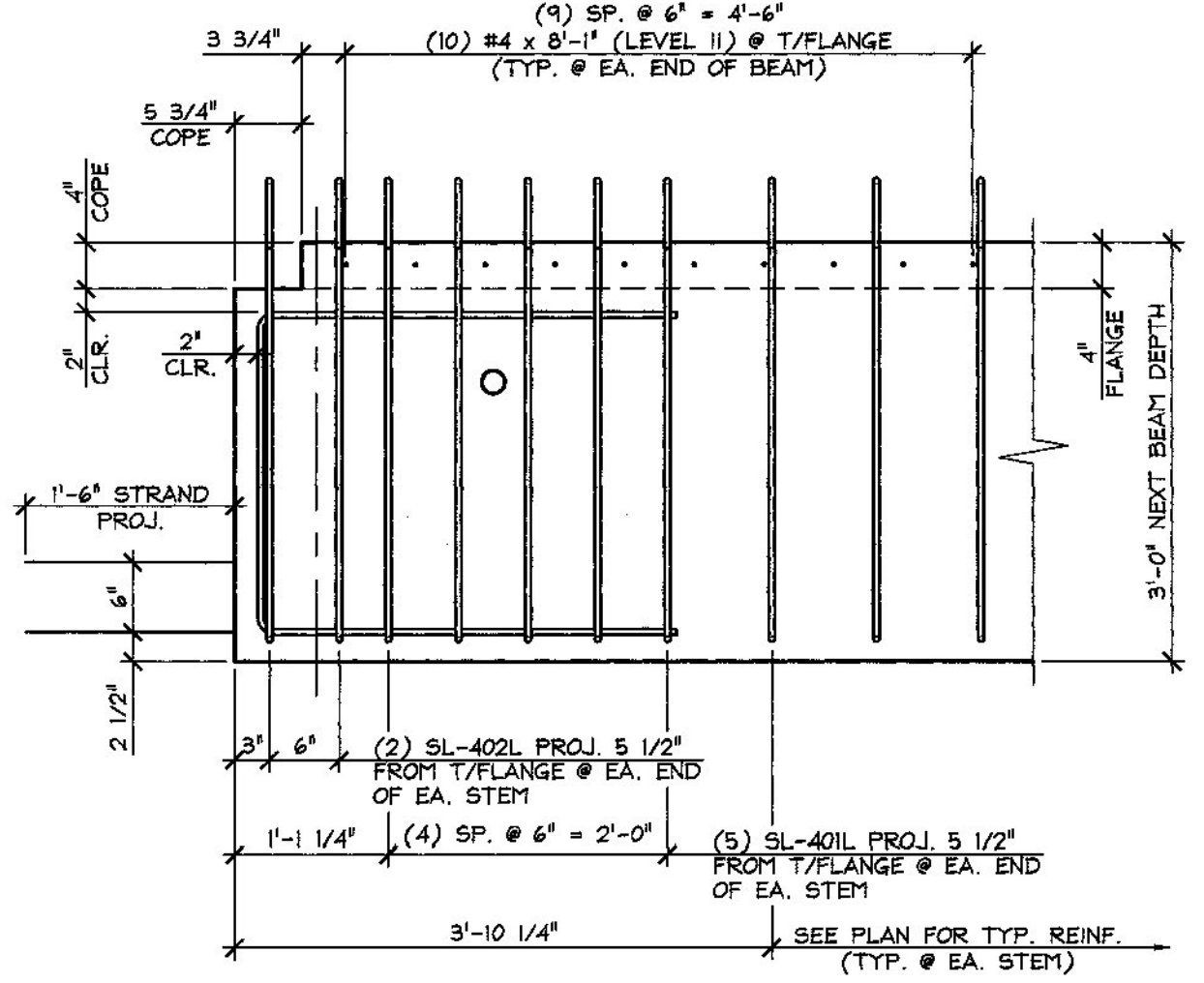
DETAIL - "A"
3' = 1'-0"



A DIMENSIONAL & REINFORCING SECTION
3/4" = 1'-0"



B END BLOCK STEM REINFORCING DETAILS
3/4" = 1'-0"



DETENSING SCHEDULE
N.T.S.

MARK:	SL-1	QTY.:	2	WT.:	50.27 T	VOL.:	24.82 cy
MATERIAL LIST / NEXT BEAM							
ITEM	MARK	DESCRIPTION				QTY.	
1	SL-40IL	#4 BENT BAR (LEVEL II)				202	
2	SL-402L	#4 BENT BAR (LEVEL II)				8	
3	SL-403L	#4 BENT BAR (LEVEL II)				16	
4		#4 x 8'-1" (LEVEL II)				20	
5							
6	SL-50IL	#5 BENT BAR (LEVEL II)				296	
7							
8							
9							
10							
11							
12		WKF 4x4-M4xM4 (STAINLESS STEEL) (7'-8" x 76'-10")				1	
13							
14		SET OF (4) 0.60" x 270 KSI STRAND LIFTING LOOPS				4	
15							

APPROVAL STAMP:	J.P. CARRARA & SONS INC. Precast & Prestress Manufacturer 2444 CASE ST., MIDDLEBURY, VERMONT 05753 Phone:(802)388-6361 Fax:(802)388-9010	AUSTIN CONSTRUCTION CONTRACTOR CONCORD, VERMONT
STATE OF VERMONT AGENCY OF TRANSPORTATION COUNTY OF LAMOILLE		DATE: SEPT. 6, 2013
TOWN OF STOWE ROUTE NO. VT 100, MINOR ARTERIAL BRIDGE NO.: 208 PROJECT NO.: BRP 029-1(17)		SCALE: NOTED
PRESTRESSED NEXT BEAM DETAILS		CHKD: - DFTM: B.L. JOB NO: 23398-013 DWG. NO: B1