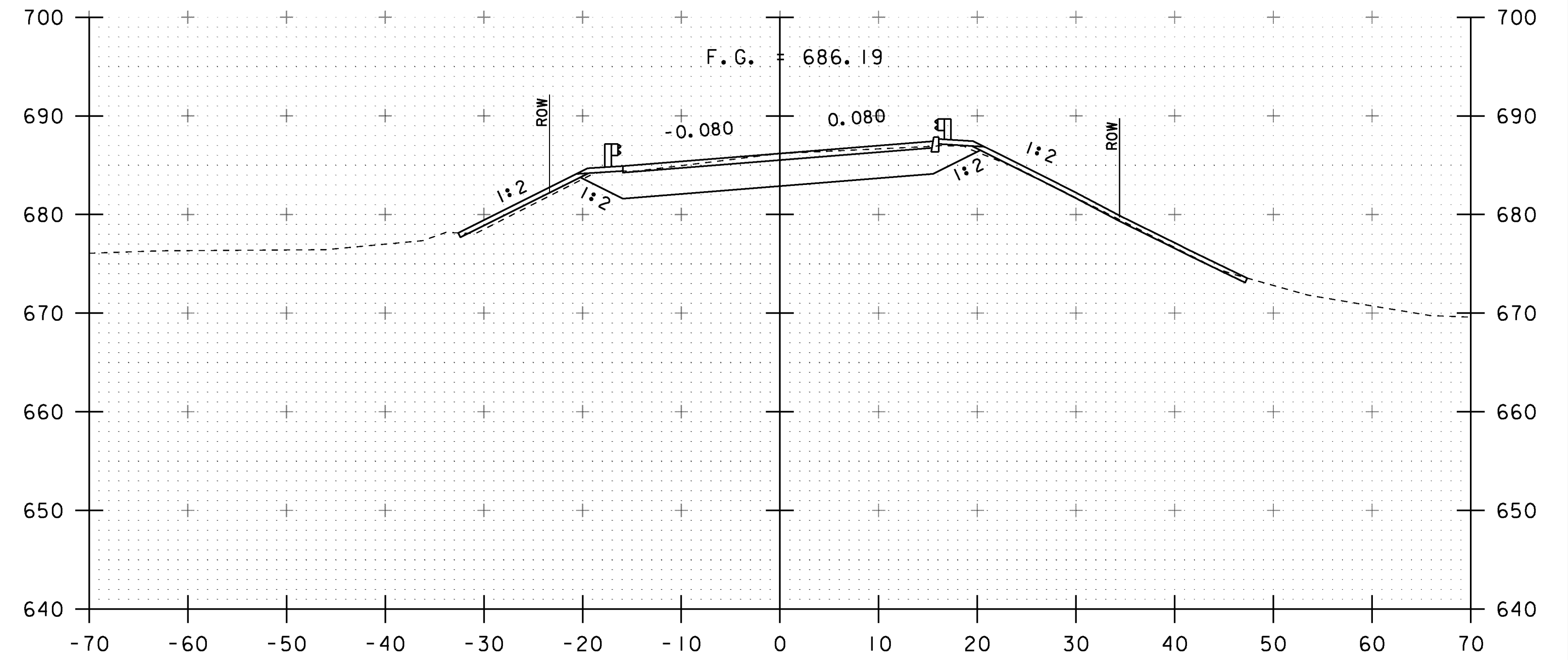
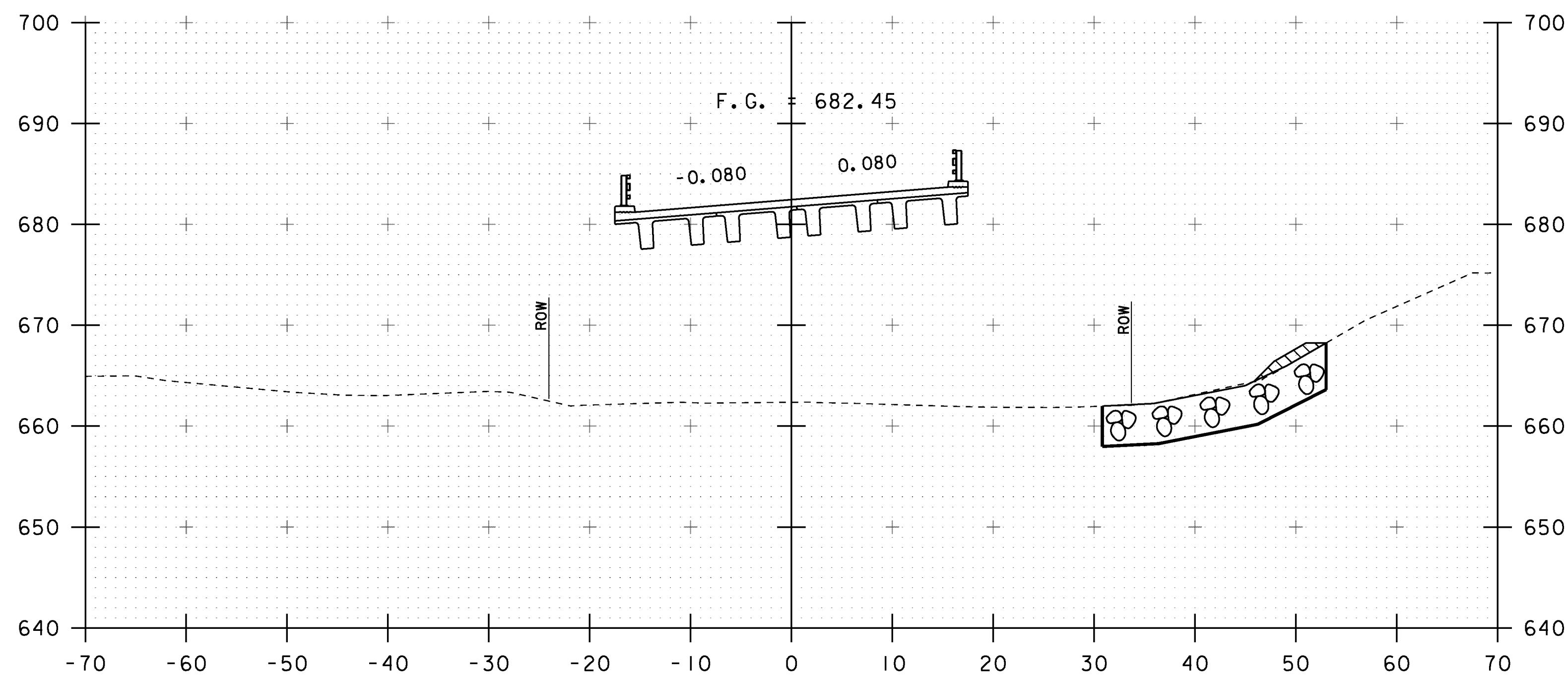


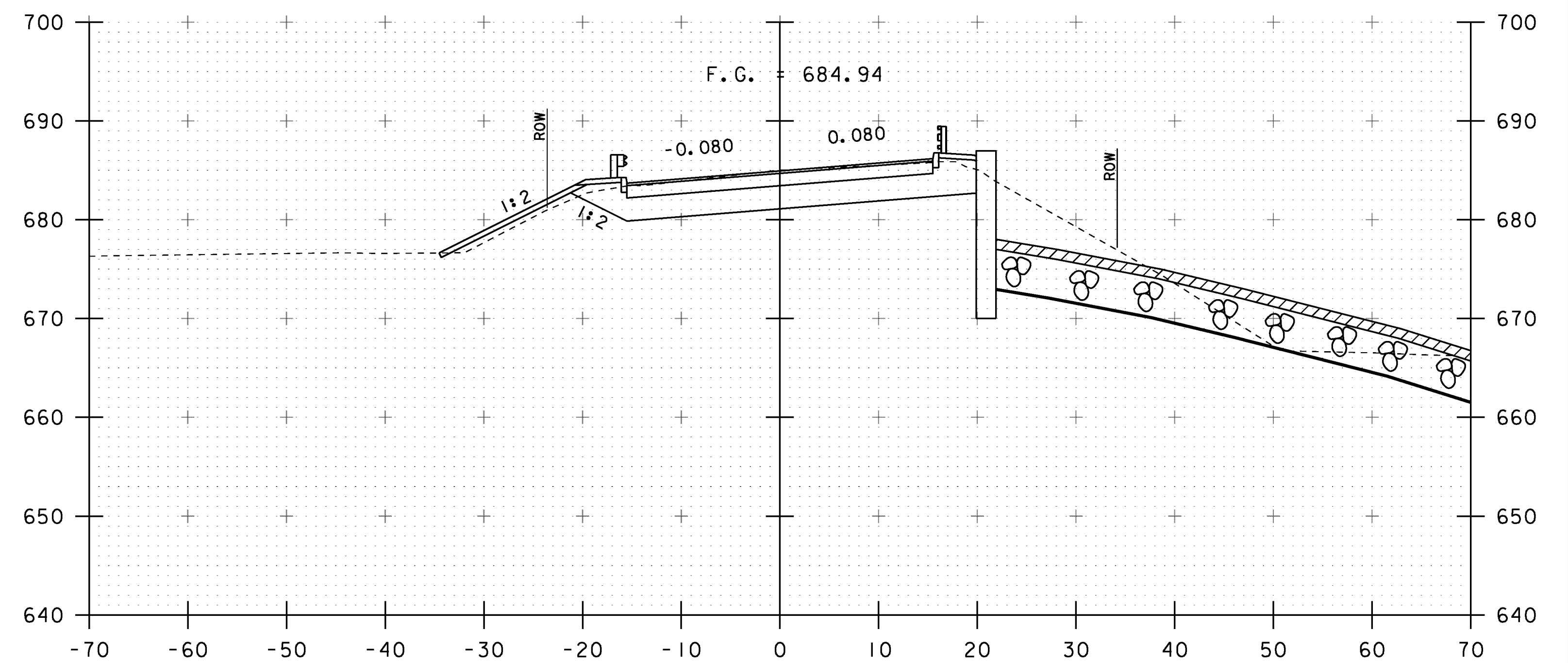
15+00



15+50



14+75



STA 15+16.87
END BRIDGE
RESUME ROADWAY

15+25

SCALE: 1" = 10'-0"
10 0 10

STA. 14+75 TO STA. 15+50

PROJECT NAME: STOWE
PROJECT NUMBER: BRF 029-1(17)

FILE NAME: s85e037xsl.dgn
PROJECT LEADER: C. CARLSON
DESIGNED BY: H. SALLS
MAINLINE CROSS SECTIONS 3

PLOT DATE: 17-JUN-2013
DRAWN BY: R. PELLETT
CHECKED BY: G. ROY
SHEET 45 OF 70