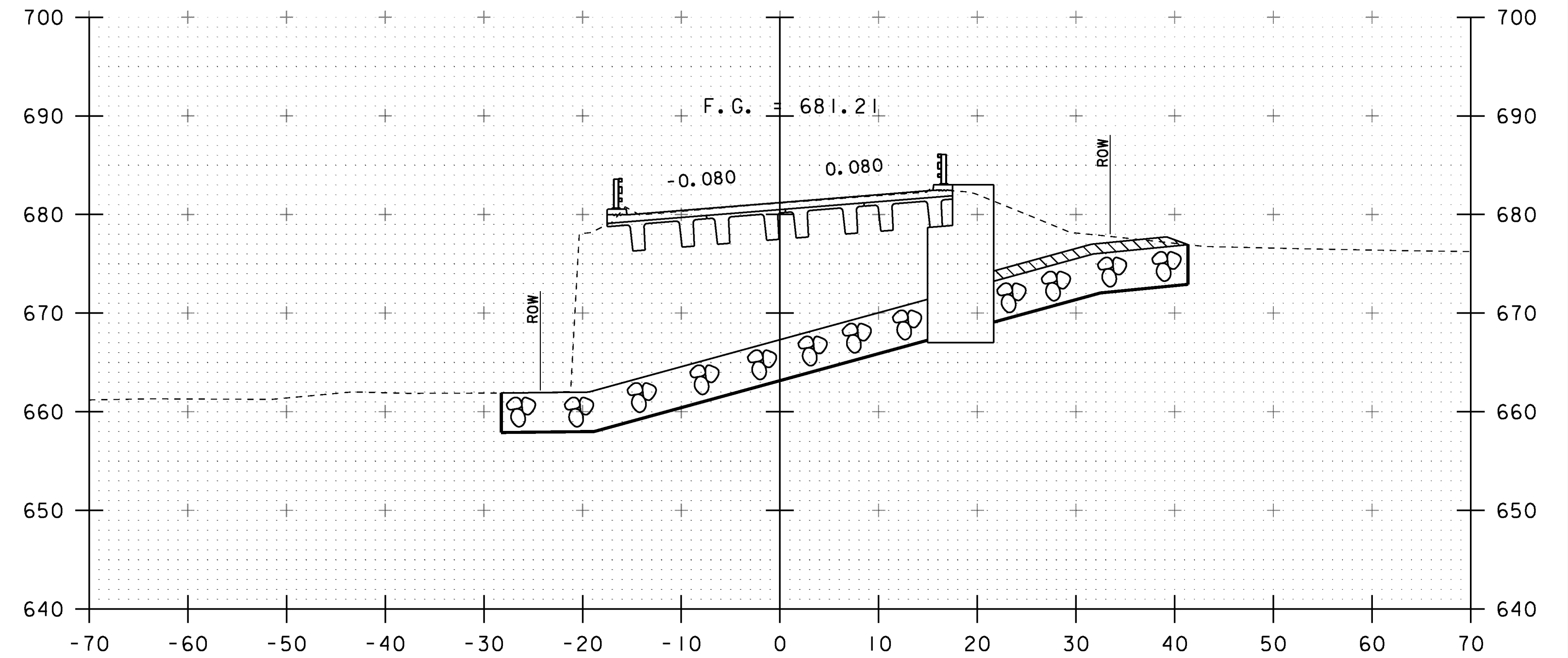


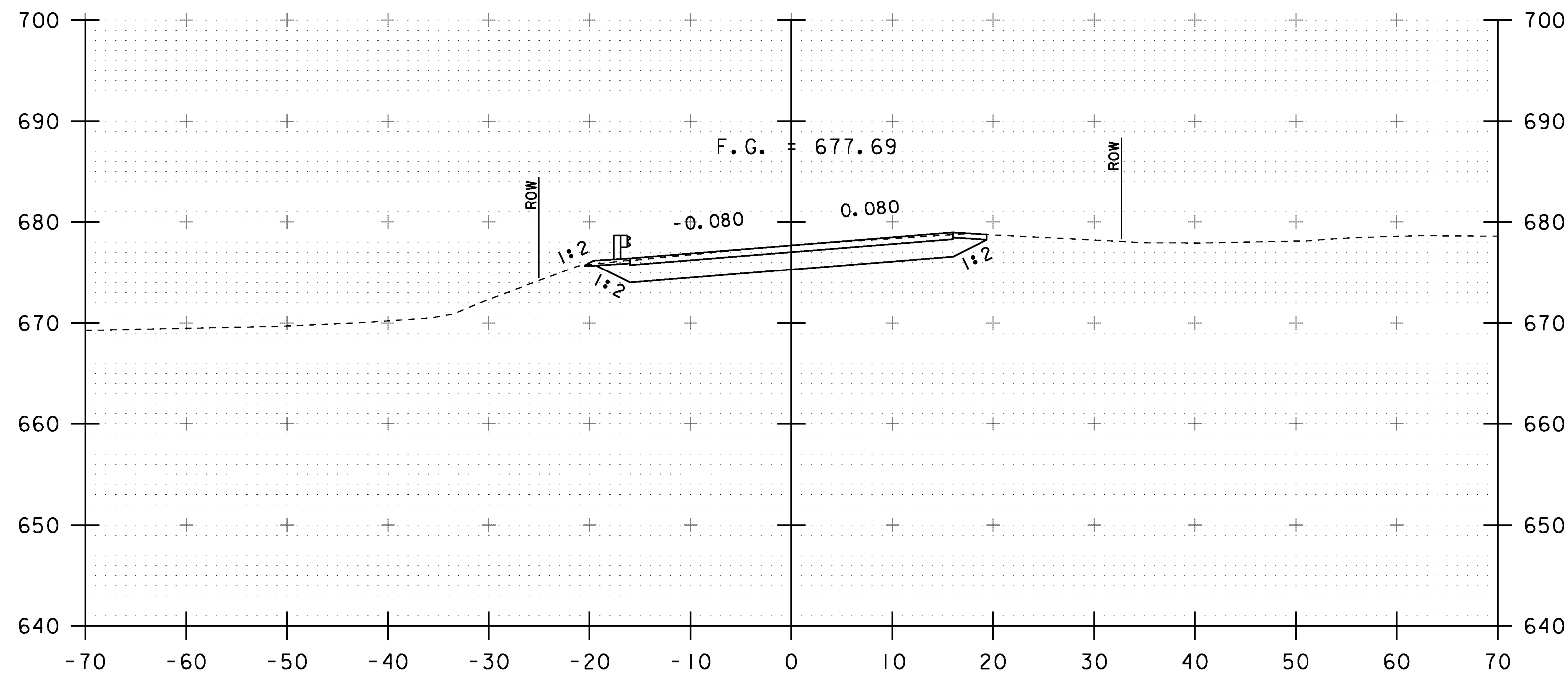
STA 14+00.00
 CONSTRUCT STONE FILL
 TYPE I PAD, 5' X 16'

14+00



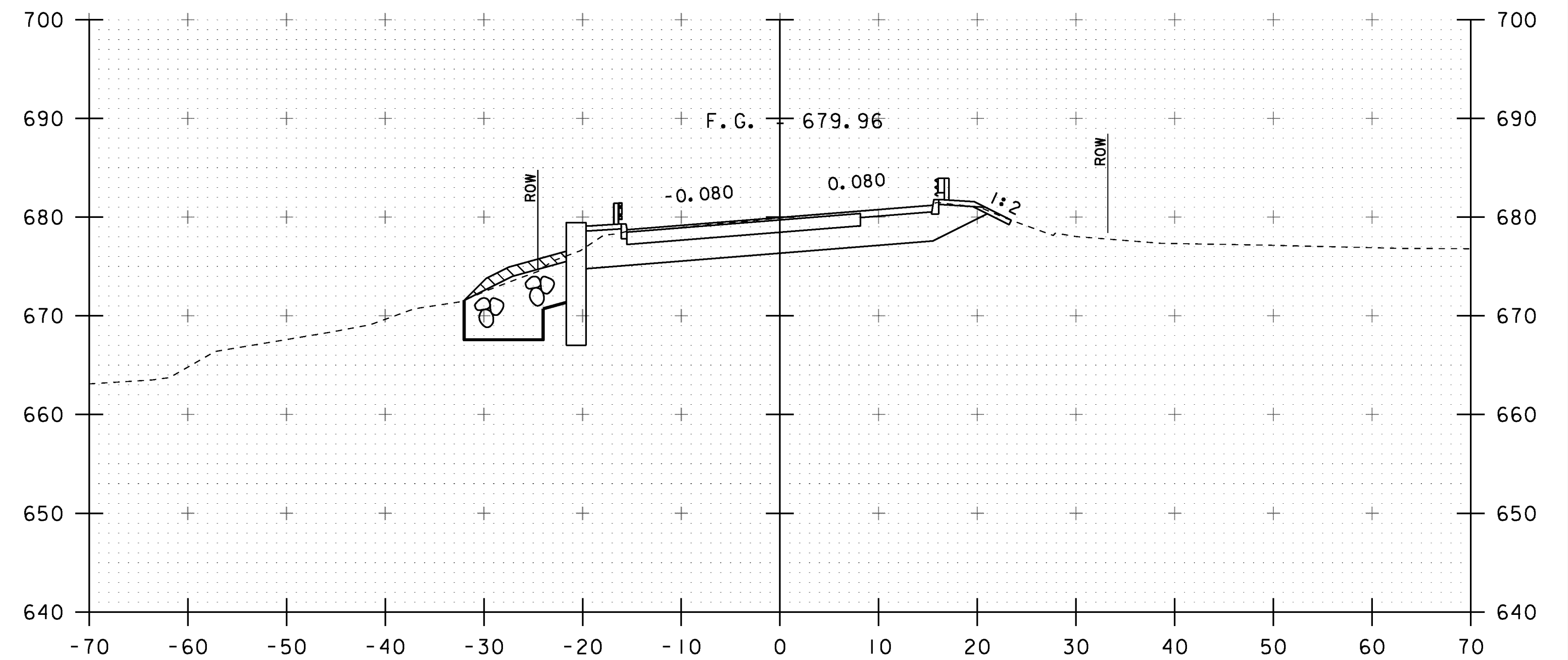
STA 14+41.09
 STOP ROADWAY
 BEGIN BRIDGE

14+50



STA 13+75.00
 END APPROACH
 BEGIN PROJECT

13+75



14+25

SCALE: 1" = 10'-0"

STA. 13+75 TO STA. 14+50

PROJECT NAME: STOWE
 PROJECT NUMBER: BRF 029-1(17)

FILE NAME: s85e037xsl.dgn
 PROJECT LEADER: C. CARLSON
 DESIGNED BY: H. SALLS
 MAINLINE CROSS SECTIONS 2

PLOT DATE: 17-JUN-2013
 DRAWN BY: R. PELLETT
 CHECKED BY: G. ROY
 SHEET 44 OF 70