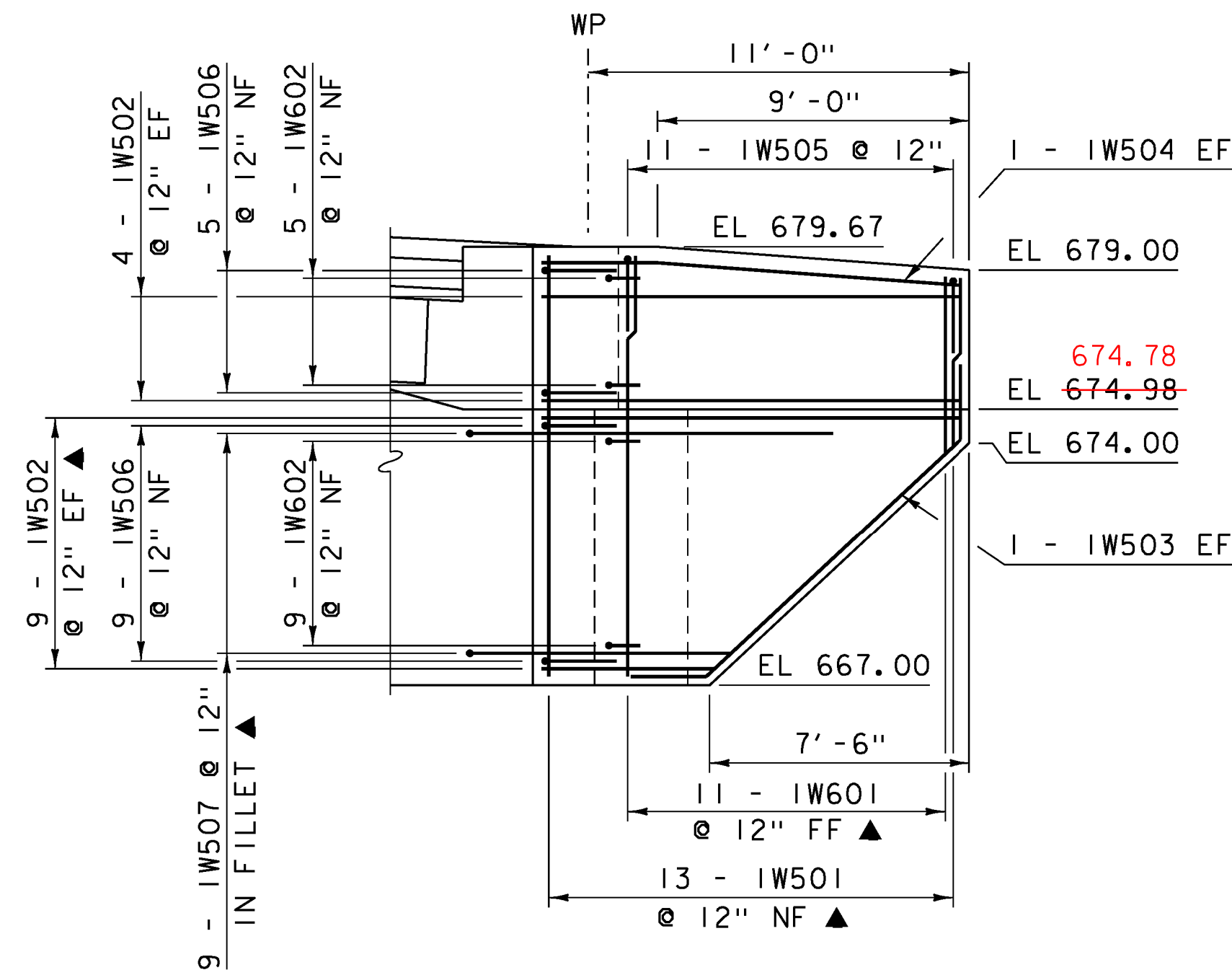


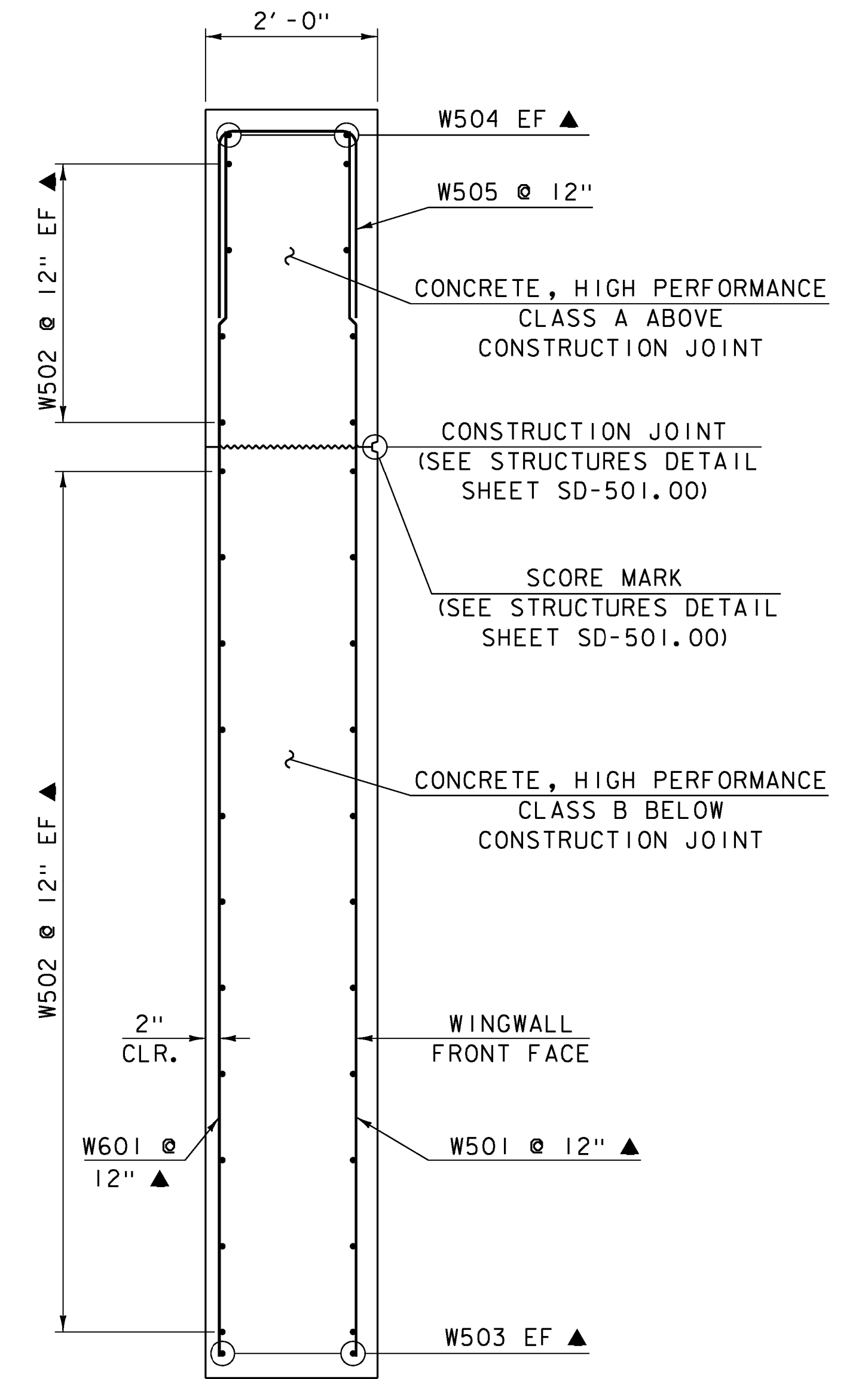
WINGALL NO. 2 ELEVATION

SCALE: 1/4" = 1'-0"



WINGALL NO. 1 ELEVATION

SCALE: 1/4" = 1'-0"

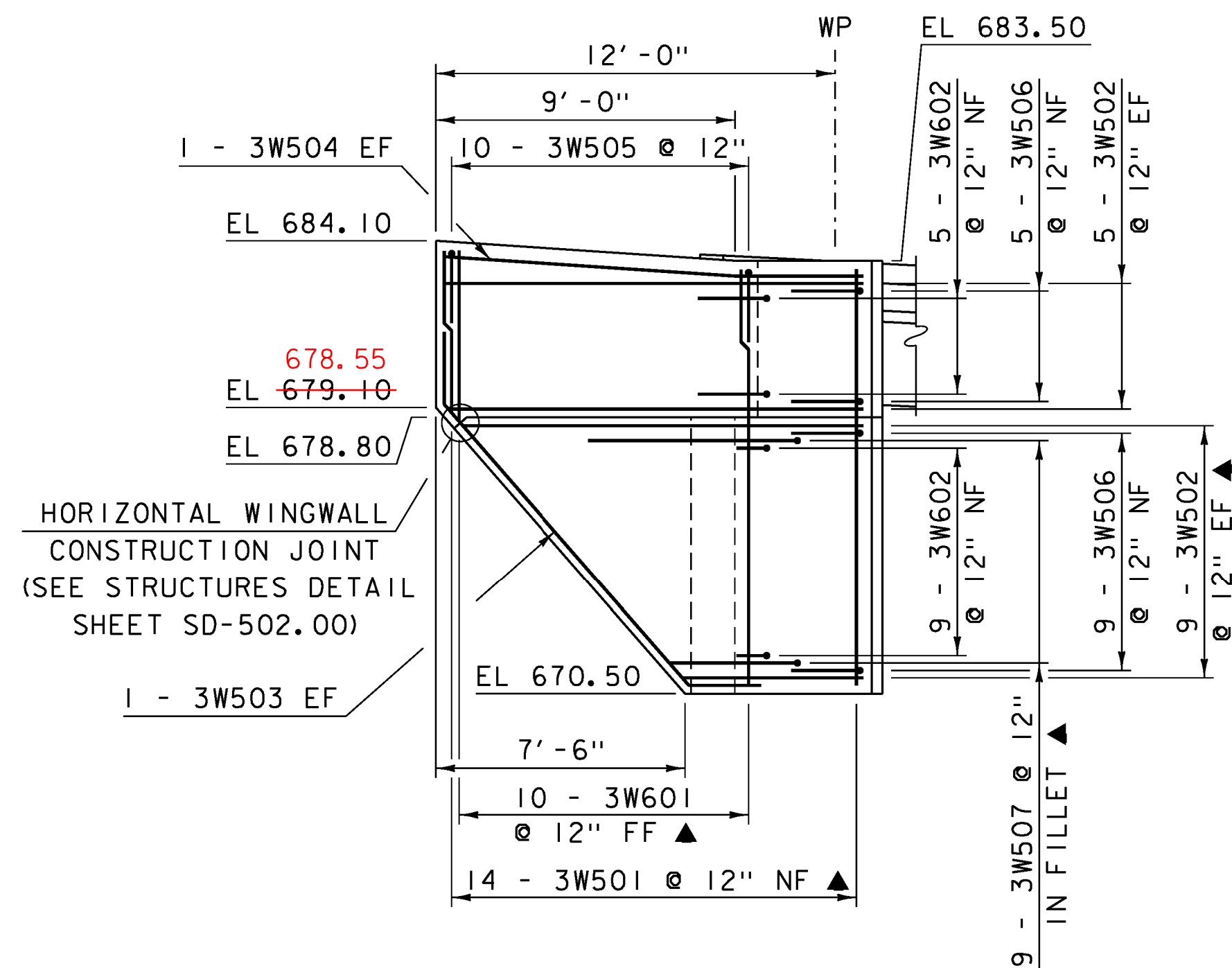


WINGWALL TYPICAL SECTION

SCALE: 3/4" = 1'-0"

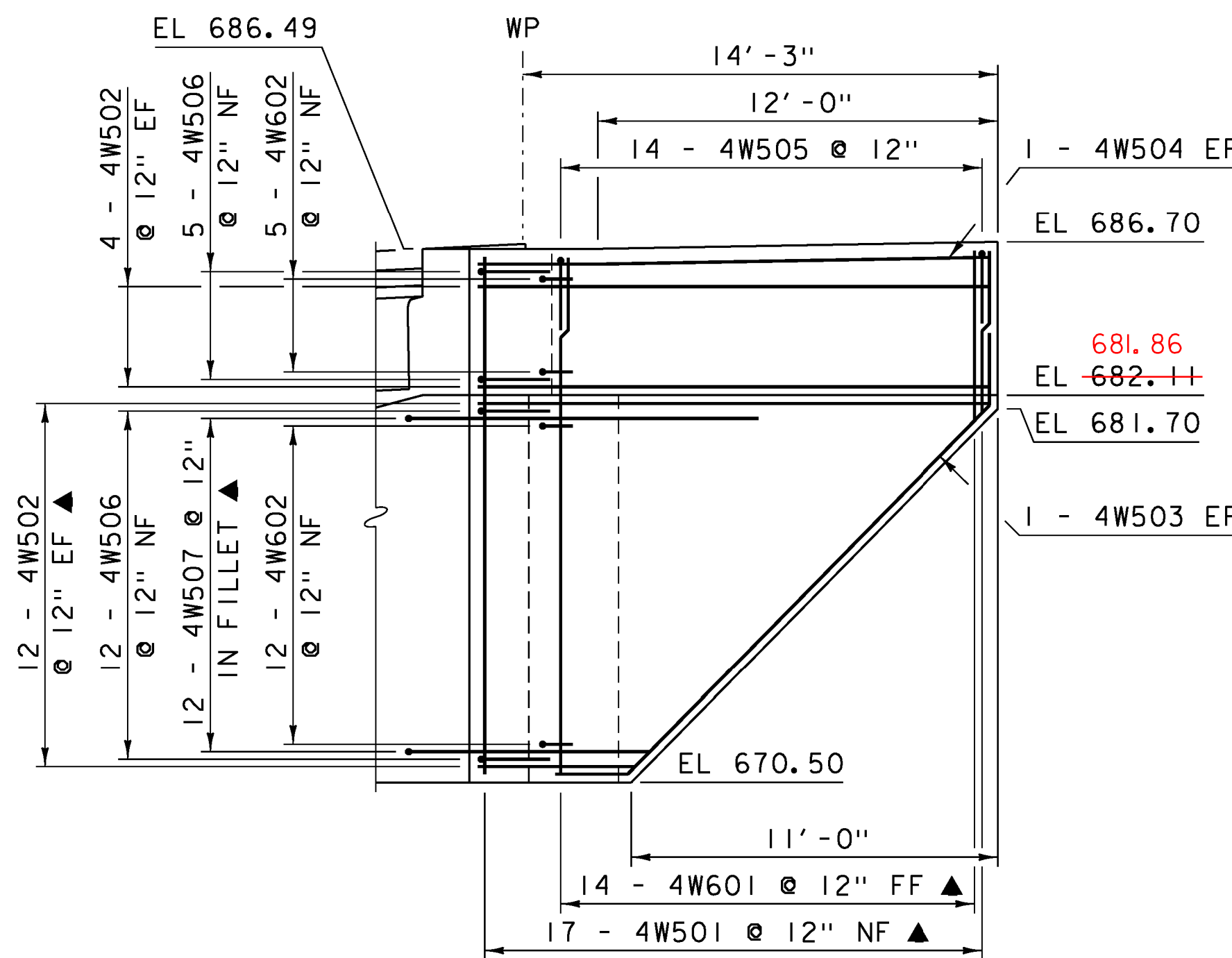
**NOTE:**

- NF = NEAR FACE
- FF = FAR FACE
- EF = EACH FACE
- ▲ = CUT TO FIT IN FIELD
- 3" CLR. UNLESS OTHERWISE NOTED
- 2'-2" BAR LAP UNLESS OTHERWISE NOTED



WINGALL NO. 3 ELEVATION

SCALE: 1/4" = 1'-0"



WINGALL NO. 4 ELEVATION

SCALE: 1/4" = 1'-0"

PROJECT NAME: STOWE	PLOT DATE: 17-JUN-2013
PROJECT NUMBER: BRF 029-1(17)	DRAWN BY: G. ROY
FILE NAME: s85e037sub.dgn	CHECKED BY: H. I. SALLS
PROJECT LEADER: C. CARLSON	SHEET 39 OF 70
DESIGNED BY: H. I. SALLS	
WINGWALL DETAILS	