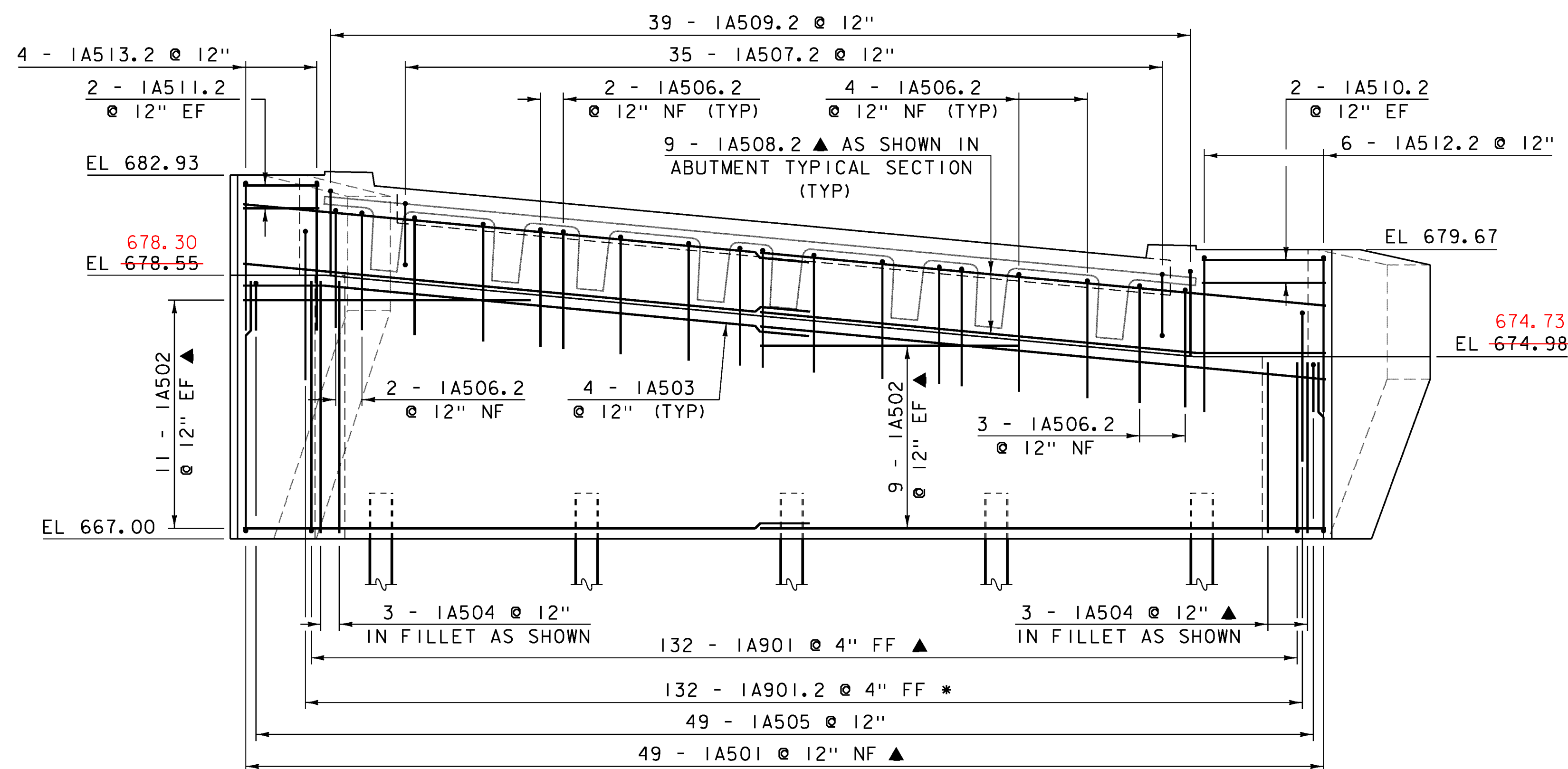


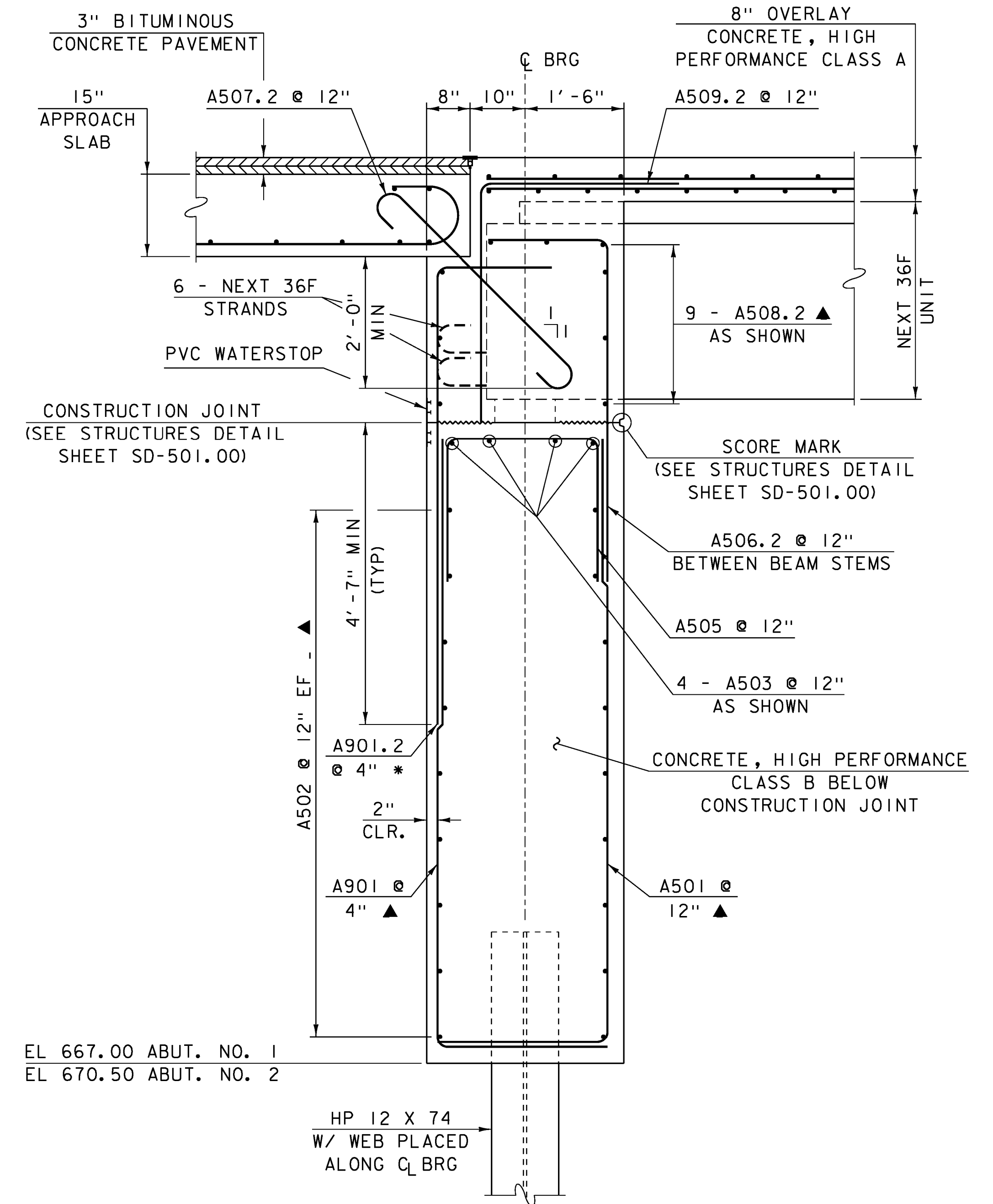
ABUTMENT NO. 1 PLAN

SCALE: 1/4" = 1'-0"



ABUTMENT NO. 1 ELEVATION

SCALE: 1/4" = 1'-0"



ABUTMENT TYPICAL SECTION

SCALE: 3/4" = 1'-0"

NOTE:

- NF = NEAR FACE
- FF = FAR FACE
- EF = EACH FACE
- ▲ = CUT TO FIT IN FIELD
- 3" CLR. UNLESS OTHERWISE NOTED
- 2'-2" BAR LAP UNLESS OTHERWISE NOTED
- * THE HOOKS WILL NEED TO BE TURNED OR REMOVED WHEN IN CONFLICT WITH THE BEAM STEMS.

BRIDGE SEAT ELEVATIONS LOWERED PER C. CARLSON

PROJECT NAME:	STOWE	PLOT DATE:	17-JUN-2013
PROJECT NUMBER:	BRF 029-1(17)	DRAWN BY:	G. ROY
FILE NAME:	s85e037sub.dgn	CHECKED BY:	H. I. SALLS
PROJECT LEADER:	C. CARLSON	DESIGNED BY:	H. I. SALLS
ABUTMENT NO. 1 DETAILS			SHEET 37 OF 70