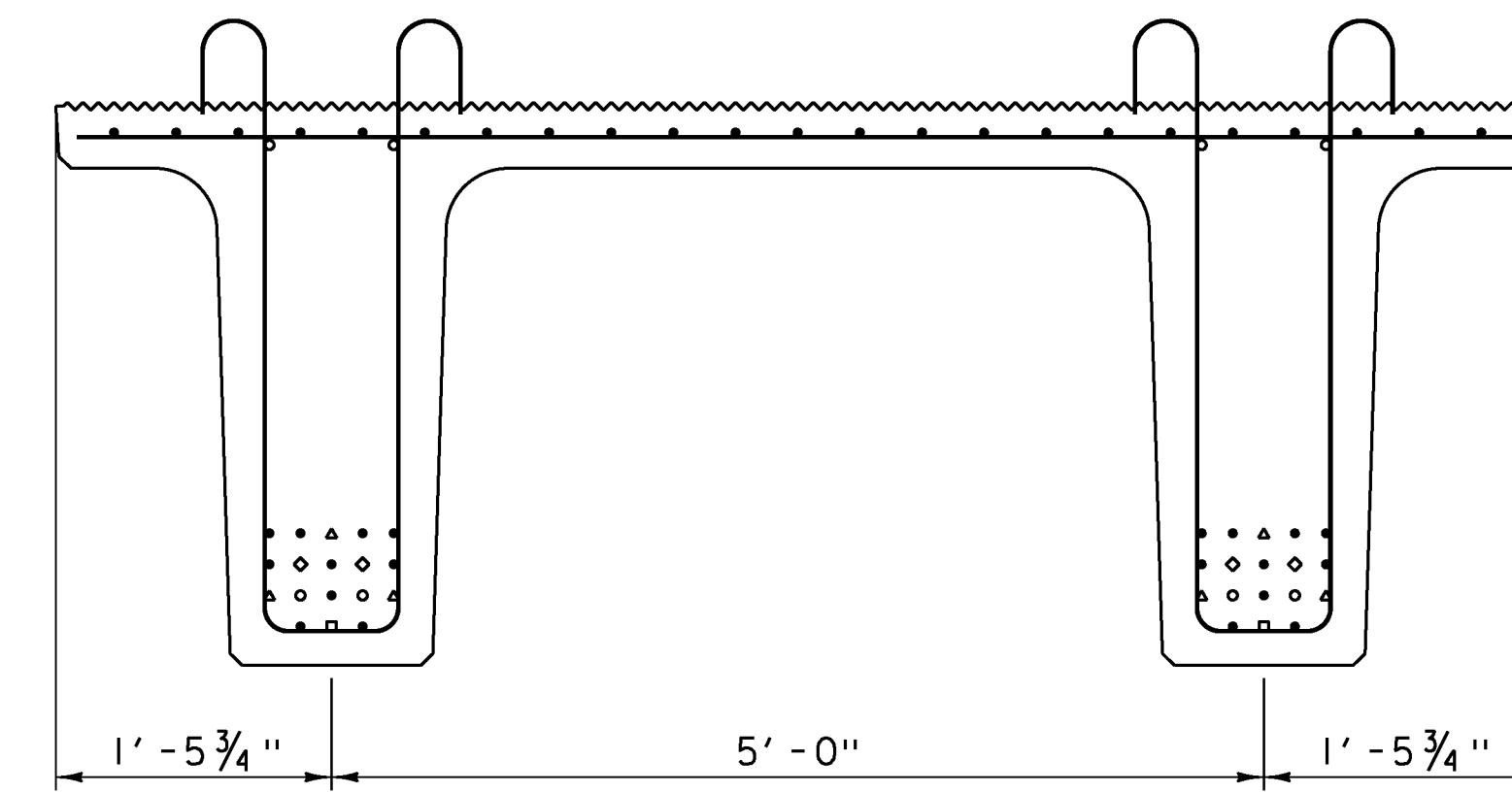
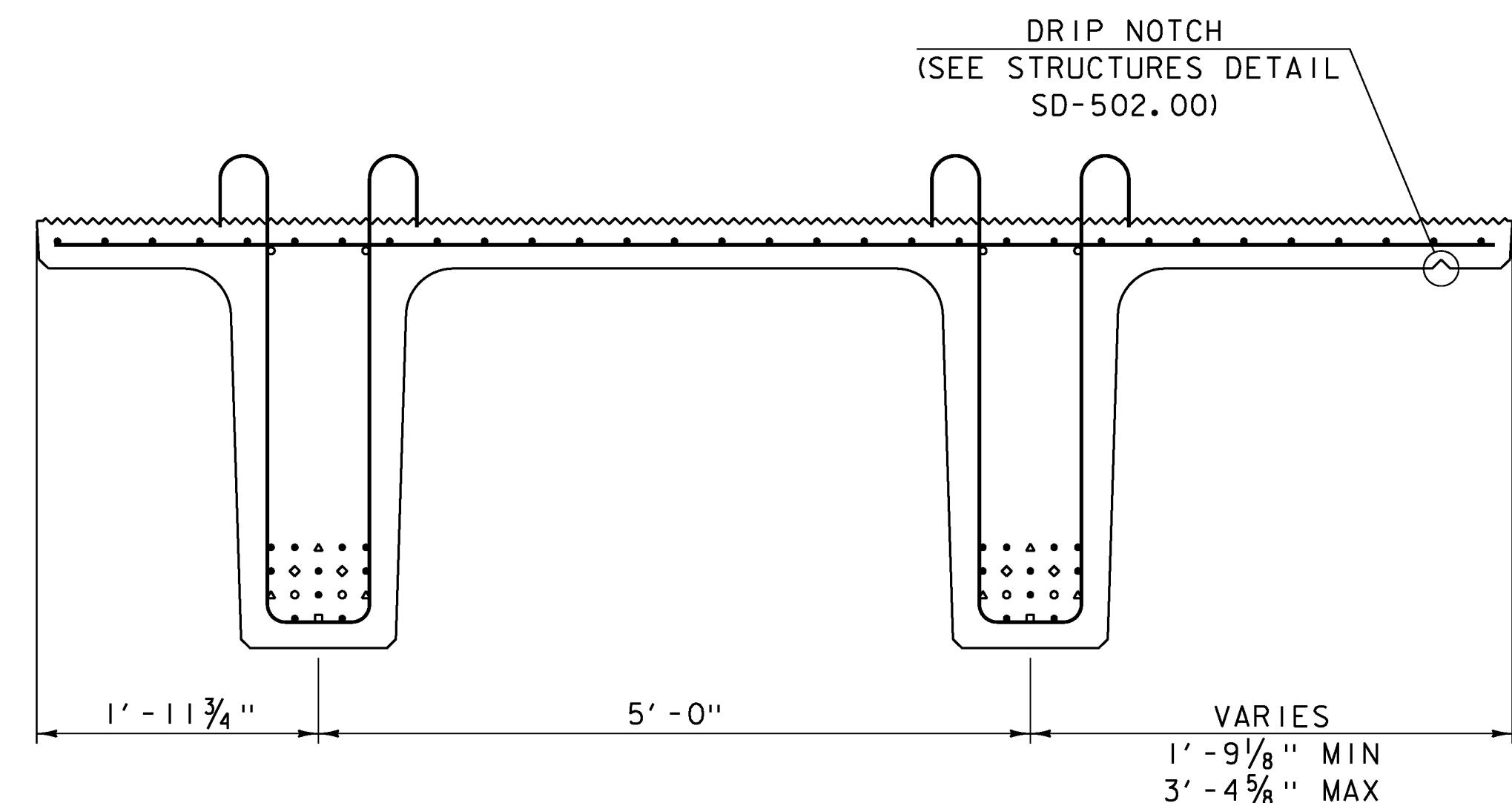


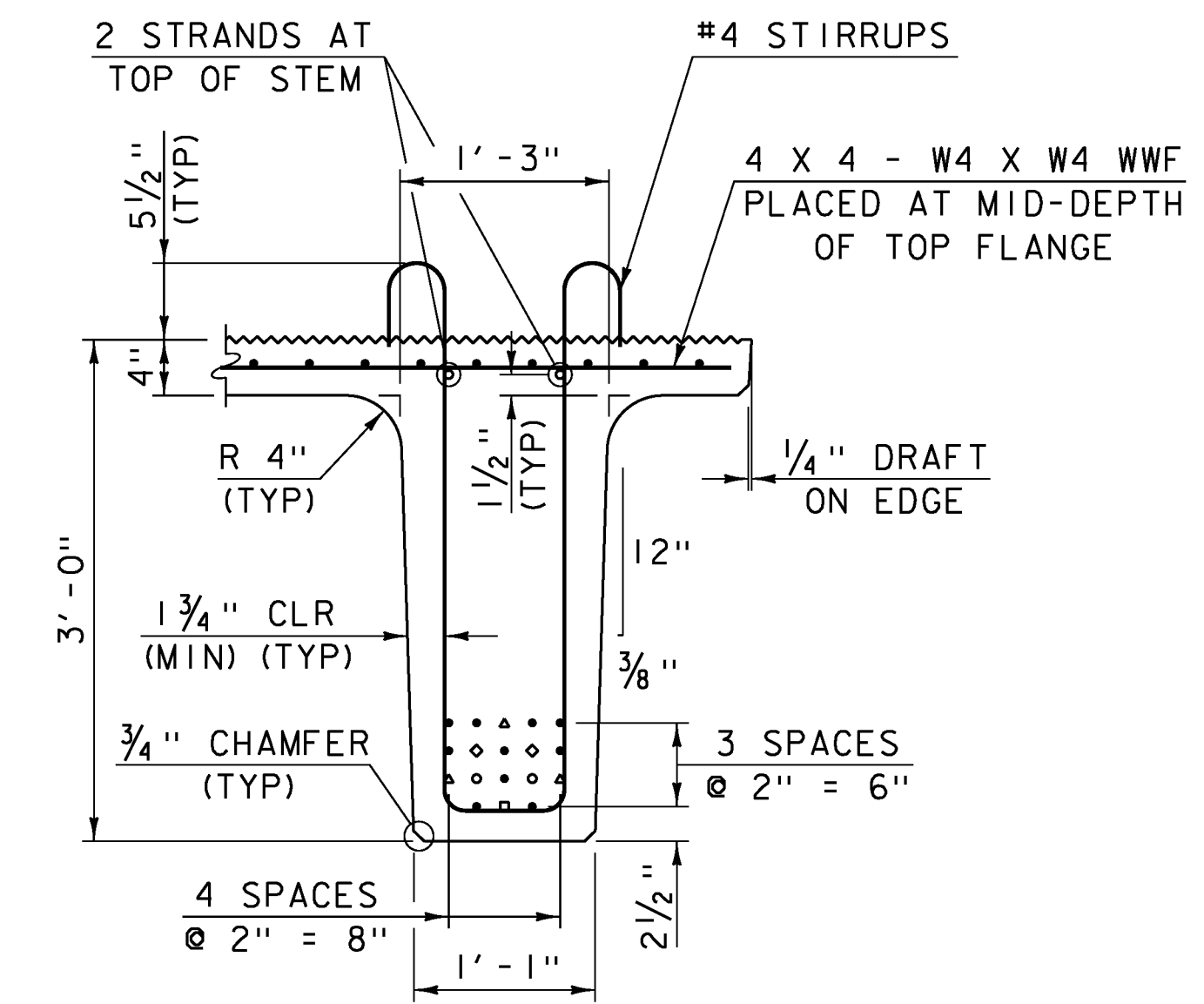
UNIT 1
SCALE: 1" = 1'-0"



UNITS 2 & 3
SCALE: 1" = 1'-0"



UNIT 4
SCALE: 1" = 1'-0"



STEM TYPICAL SECTION
SCALE: 1" = 1'-0"

STRAND LEGEND

- NOT DEBONDED
- △ DEBONDED 0' - 6"
- ◇ DEBONDED 4' - 0"
- DEBONDED 8' - 0"
- DEBONDED 10' - 0"

NOTES:

1. TOP SURFACE OF TOP FLANGE SHALL HAVE A RAKE FINISH. SEE STRUCTURES DETAIL SHEET SD-501.00.
2. STRANDS IN THE TOP AND BOTTOM ROWS THAT ARE NOT DEBONDED SHALL EXTEND 1'-6" FROM THE FINISHED END OF EACH BEAM STEM.

| | |
|---------------------------------------|-------------------------|
| PROJECT NAME: STOWE | PLOT DATE: 17-JUN-2013 |
| PROJECT NUMBER: BRF 029-1(17) | DRAWN BY: G. ROY |
| FILE NAME: s85e037sup.dgn | CHECKED BY: H. I. SALLS |
| PROJECT LEADER: C. CARLSON | SHEET 32 OF 70 |
| DESIGNED BY: H. I. SALLS | |
| NEXT BEAM SECTIONS AND STRAND DETAILS | |