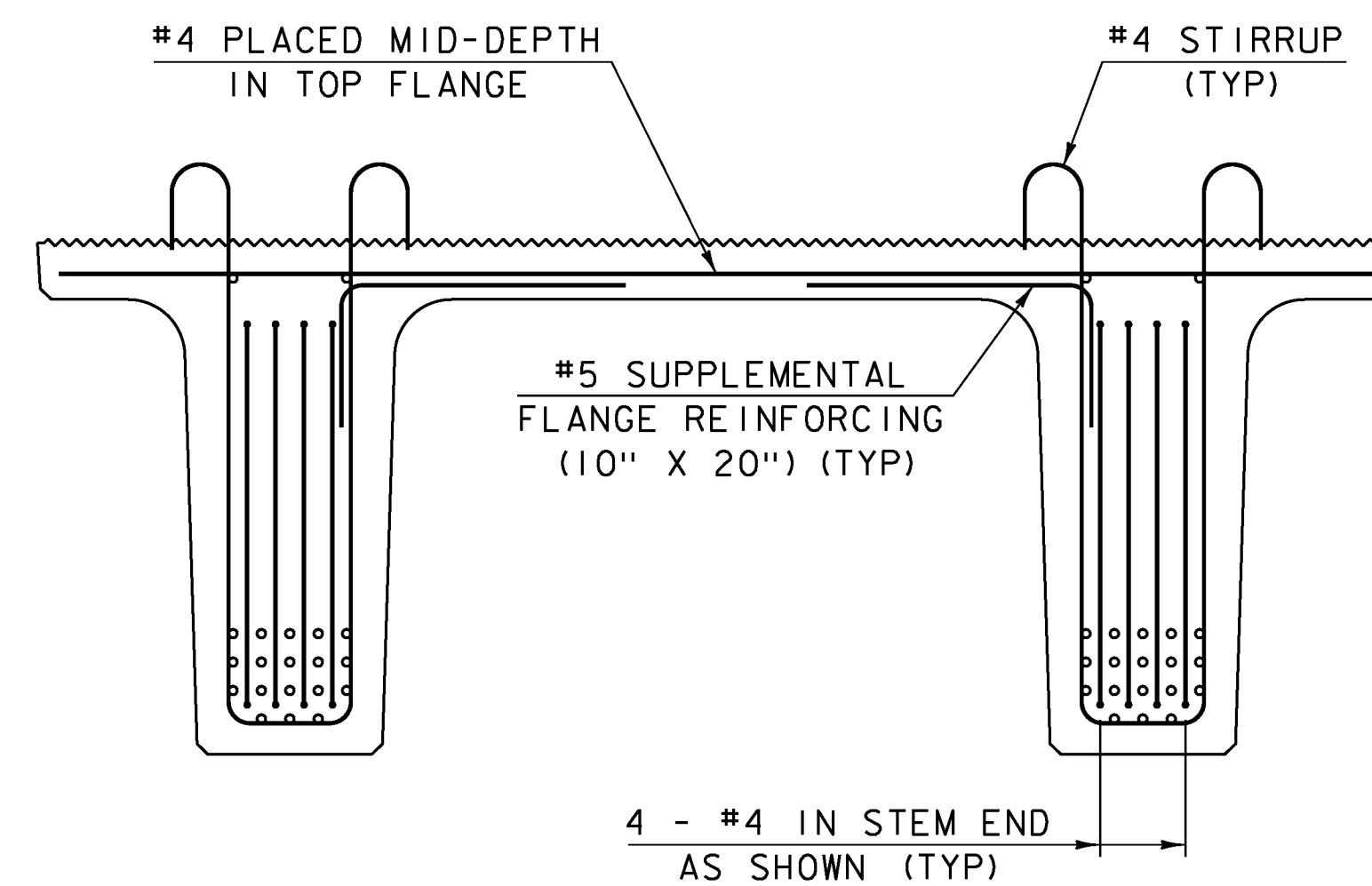
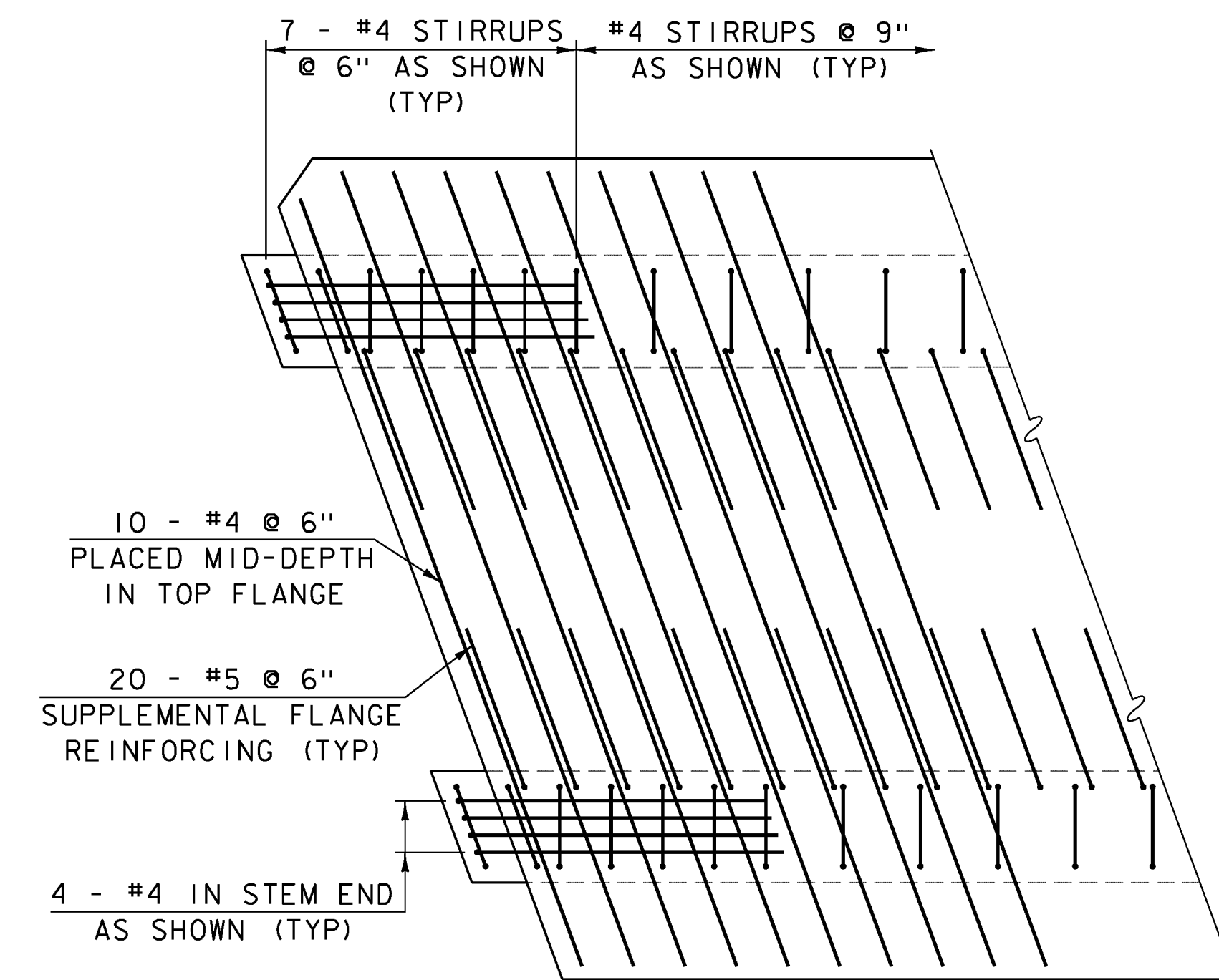


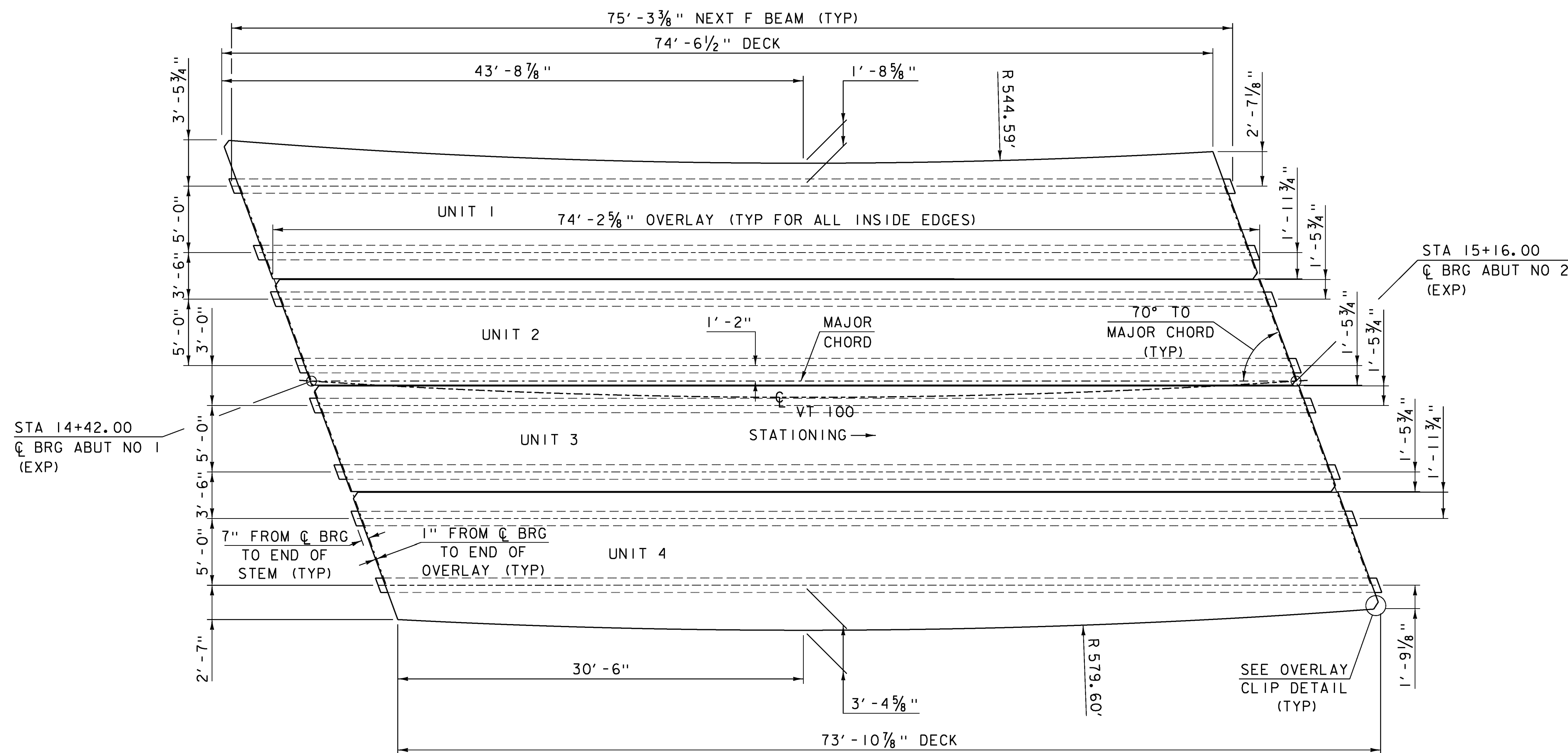
STEM END - SIDE ELEVATION  
SCALE: 1" = 1'-0"



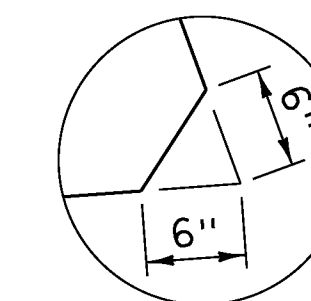
STEM END - END ELEVATION  
SCALE: 1" = 1'-0"



STEM END - PLAN  
SCALE: 3/4" = 1'-0"



FRAMING PLAN  
SCALE: 3/16" = 1'-0"



OVERLAY CLIP DETAIL  
SCALE: 1" = 1'-0"

**NOTES:**

1. FRAMING PLAN IS SHOWN WITH 1/2" JOINT BETWEEN UNITS.
2. UNITS IN THE FRAMING PLAN ARE SHOWN IN A FLAT AND HORIZONTAL PLANE IN ORDER TO DETERMINE TRUE DIMENSIONS. THEREFORE SOME DIMENSIONS MIGHT NOT AGREE WITH SIMILAR DIMENSIONS SHOWN ON OTHER SHEETS.

PROJECT NAME: STOWE	PLOT DATE: 17-JUN-2013
PROJECT NUMBER: BRF 029-1(17)	DRAWN BY: G. ROY
FILE NAME: s85e037sup.dgn	CHECKED BY: H. I. SALLS
PROJECT LEADER: C. CARLSON	SHEET 31 OF 70
DESIGNED BY: H. I. SALLS	
FRAMING PLAN AND STEM END DETAILS	