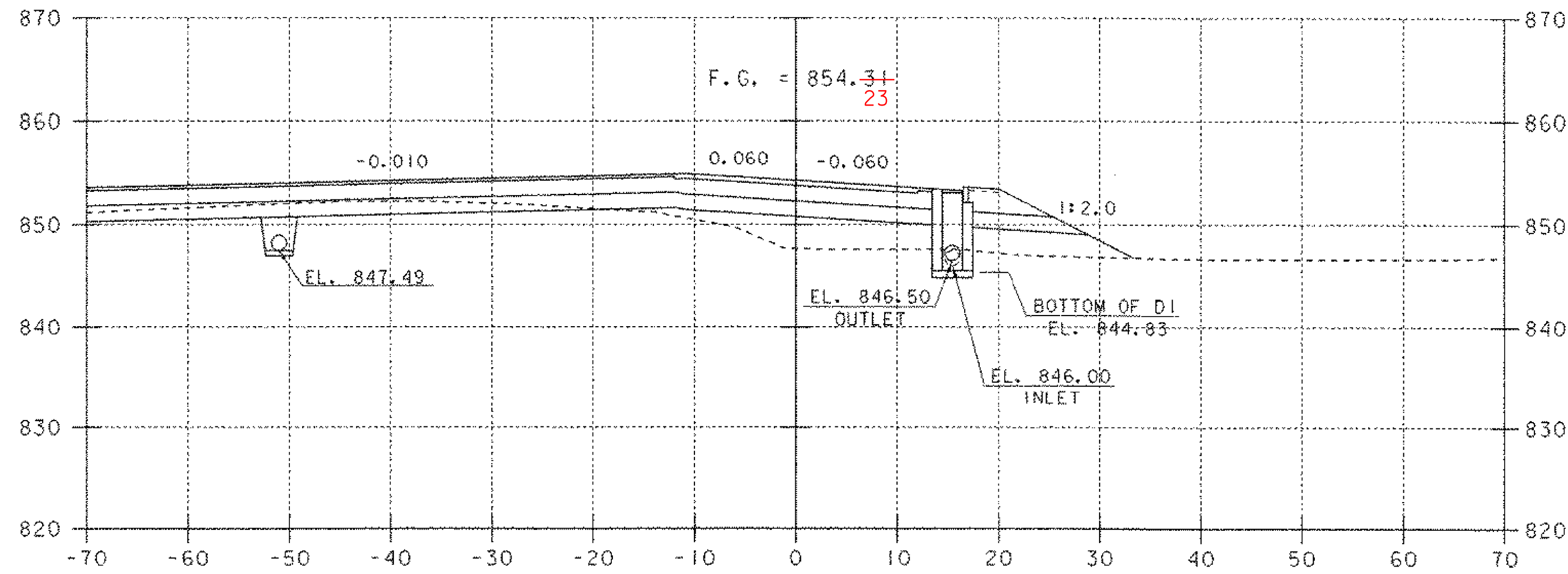
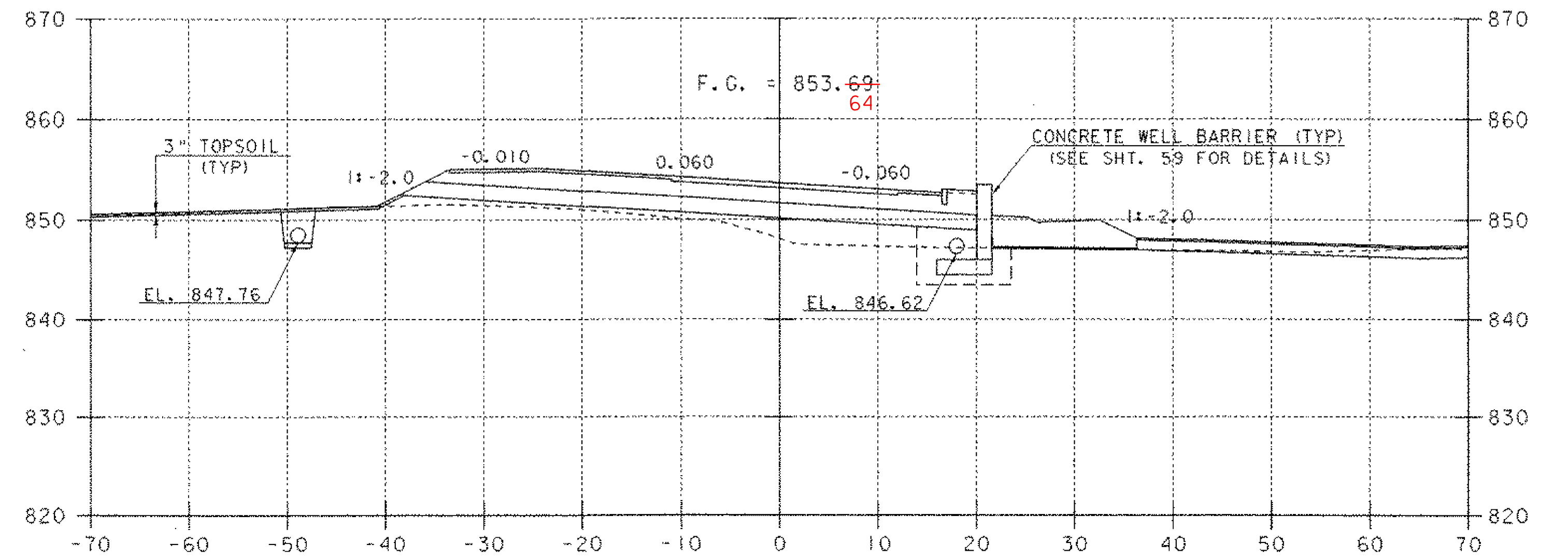


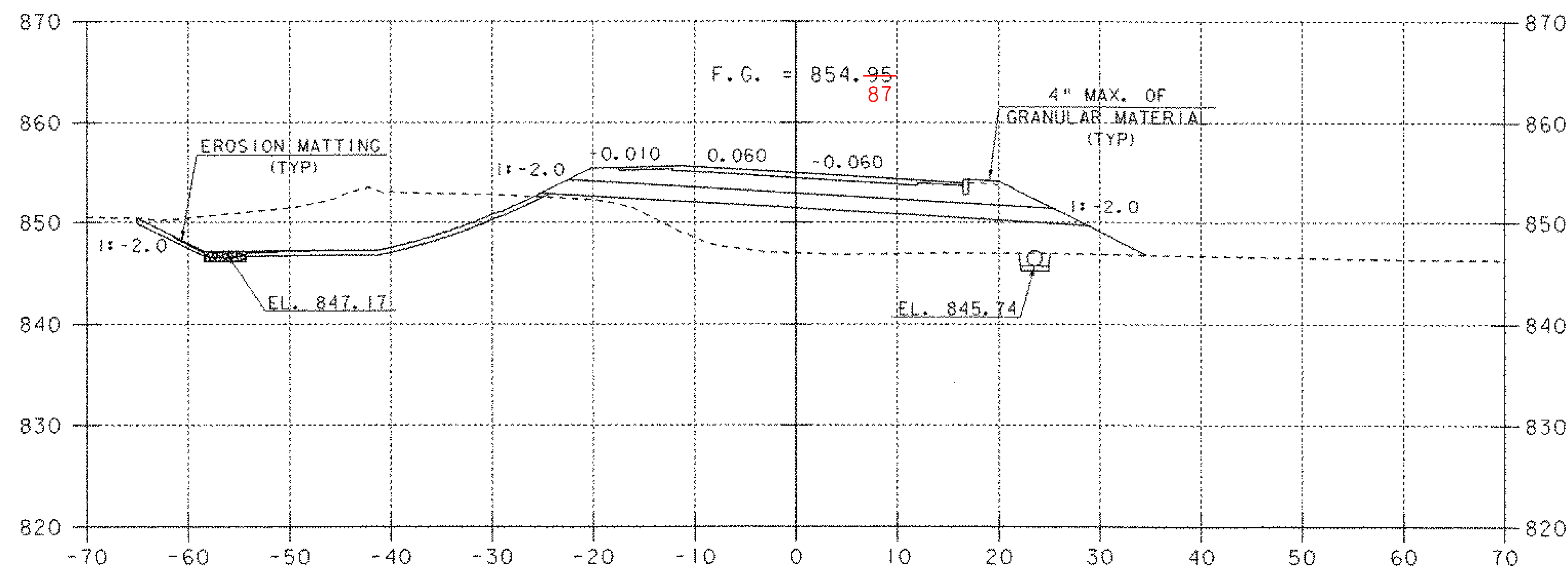
18" X 92' PIPE OPTION  
15+27 RT. - 16+26 RT.



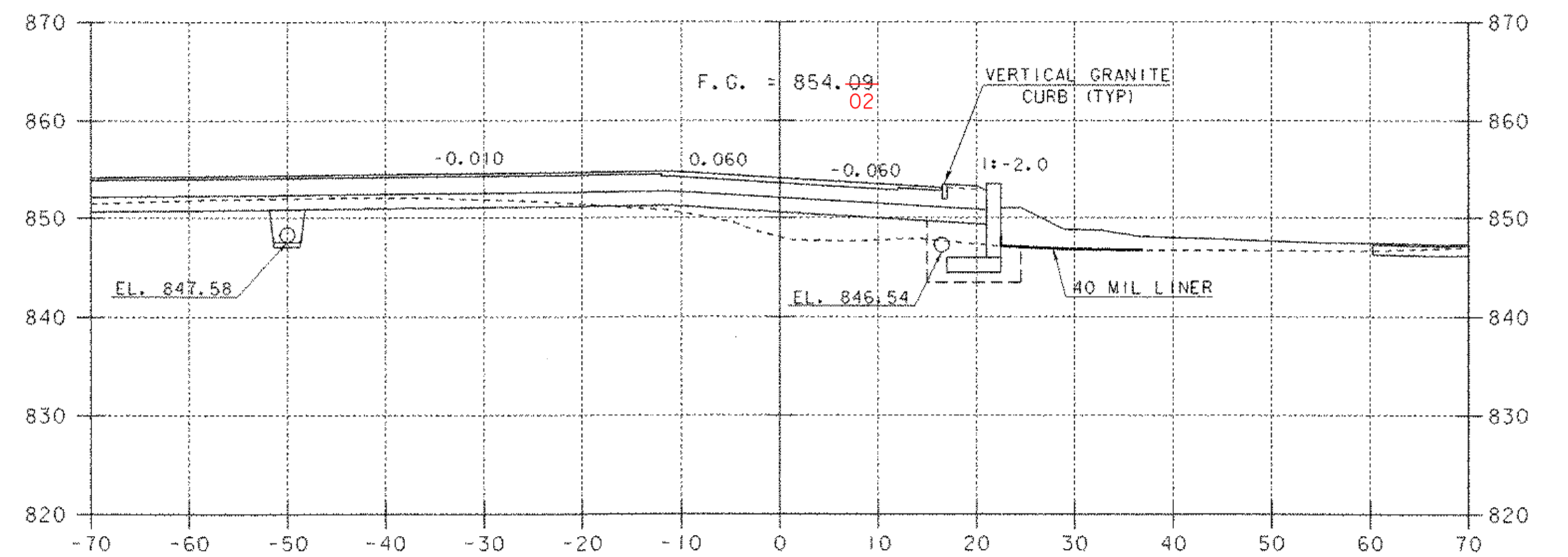
15+27  
CONSTRUCT DROP INLET RIGHT



15+50



15+00



15+35  
CONSTRUCT SIDELINE LEFT



SHEET NAME: MAINLINE CROSS SECTIONS	
PROJECT NAME: READING	HIGHWAY NO.: VT 44
PROJECT NUMBER: BRS 0148(6)S	BRIDGE NO.: 1
	OVER: THE MILL BROOK
FILE NAME: PW/85e034/Structures/se034xsl.dgn	PLOT DATE: 17-FEB-2006
PROJECT MANAGER: R. WHITCOMB	DRAWN BY: J. GILMORE
DESIGNED BY: C. CARLSON	IPARM NAME: se034m6.l
BRIDGE SHEET NUMBER:	SHEET 68 OF 83