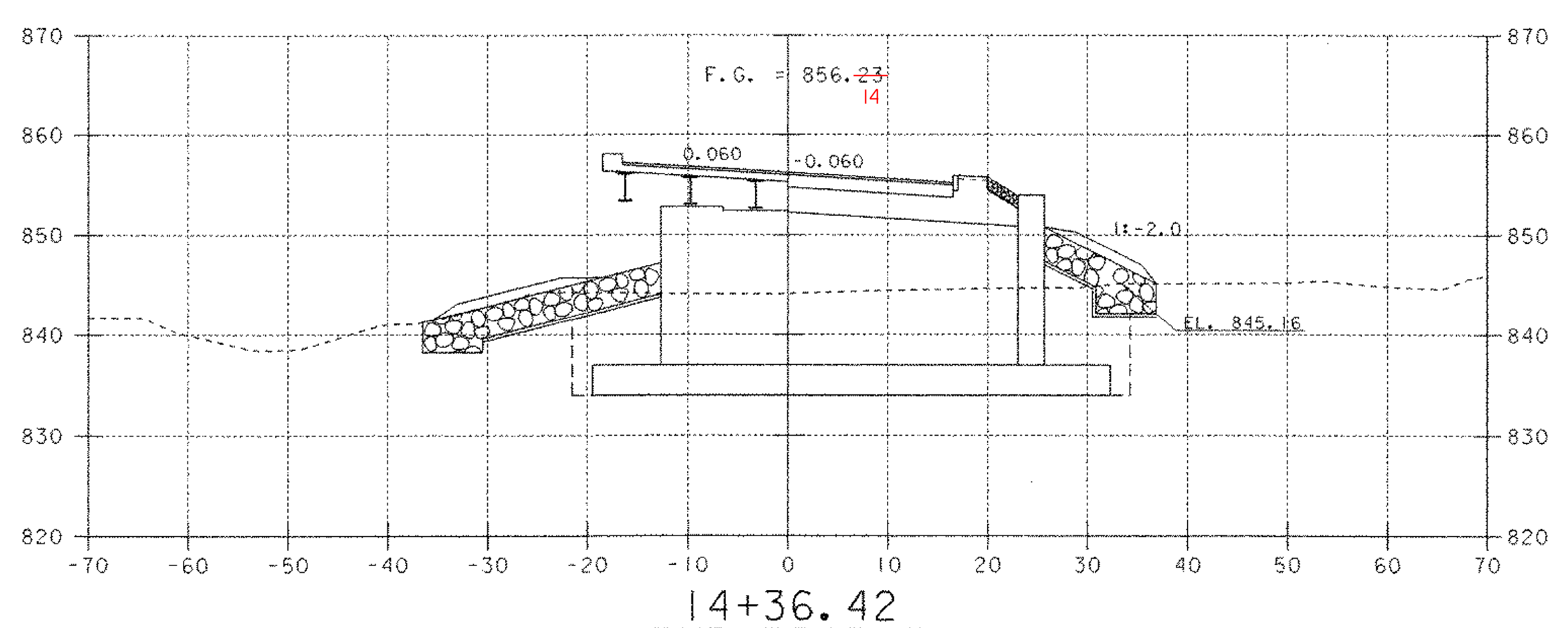
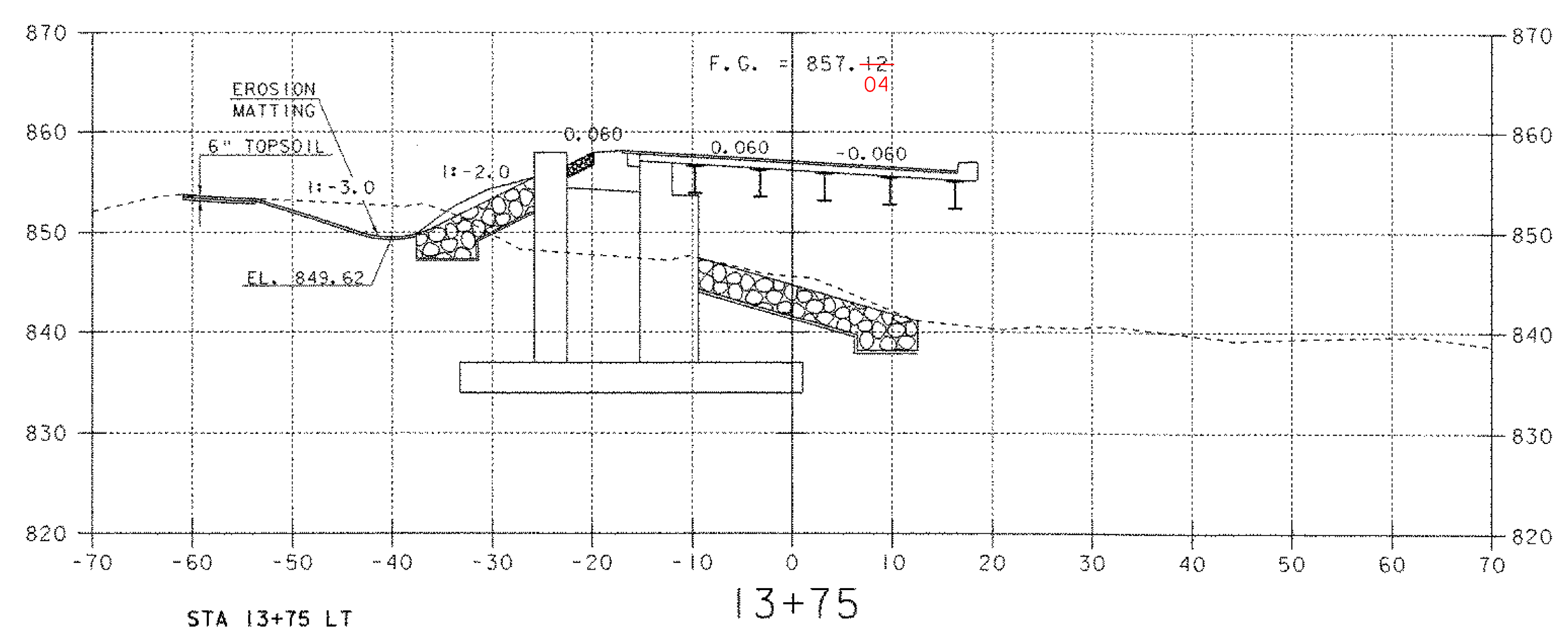
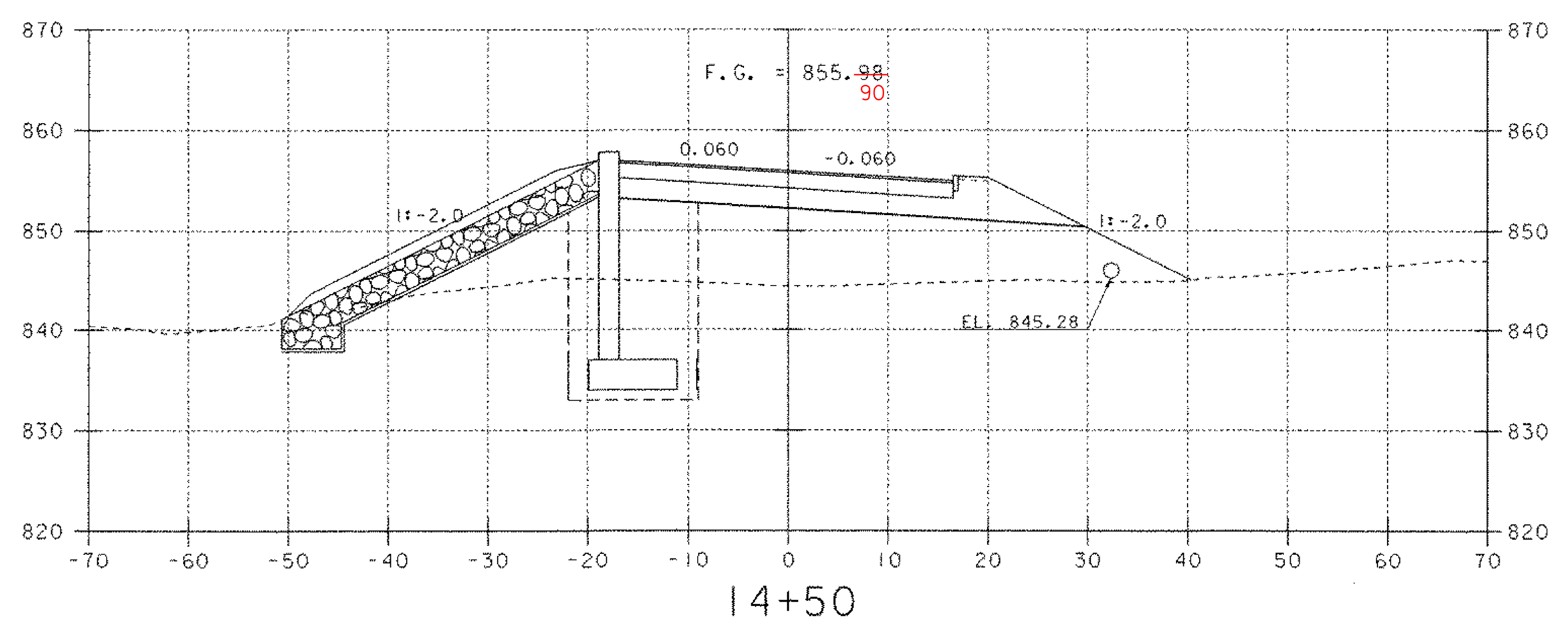
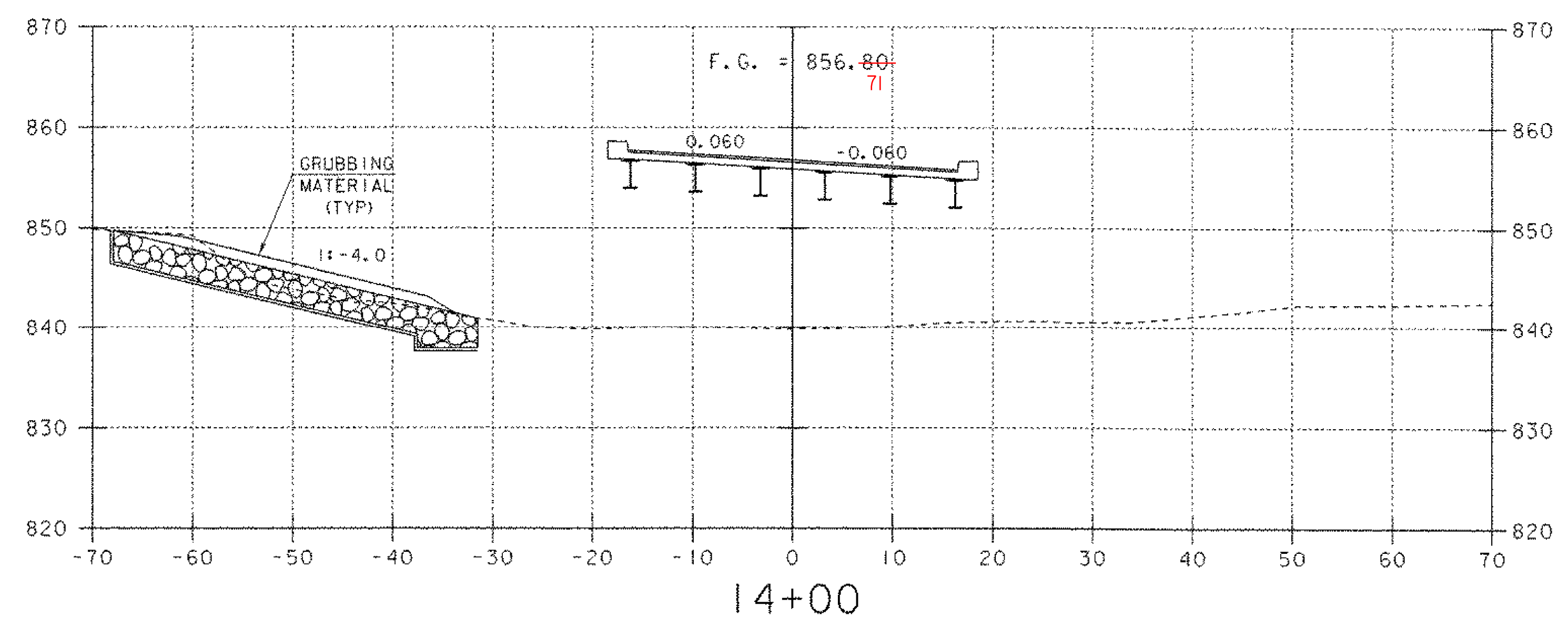


18" X 96' PIPE OPTION  
14+22 RT. - 15+27 RT.



STA 13+75 LT  
END SPECIAL DITCH  
WITH EROSION MATTING

14+36.42  
END BRIDGE



SHEET NAME: MAINLINE CROSS SECTIONS	
PROJECT NAME: READING	HIGHWAY NO.: VT 44
PROJECT NUMBER: BRS 0148(6)S	BRIDGE NO.: 1
	OVER: THE MILL BROOK
FILE NAME: PW/85e034/Structures/se034xsl.dgn	PLOT DATE: 17-FEB-2006
PROJECT MANAGER: R. WHITCOMB	DRAWN BY: J. GILMORE
DESIGNED BY: C. CARLSON	IPARM NAME: se034mx5.1
BRIDGE SHEET NUMBER:	SHEET 67 OF 83