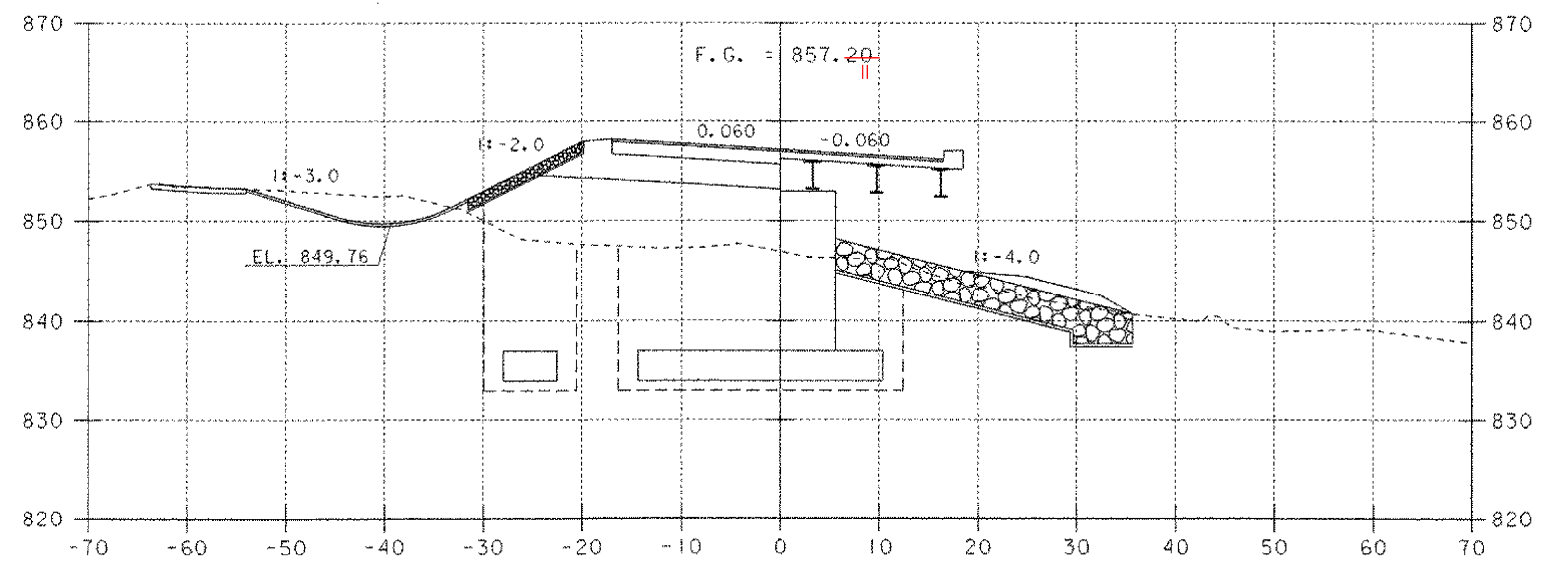
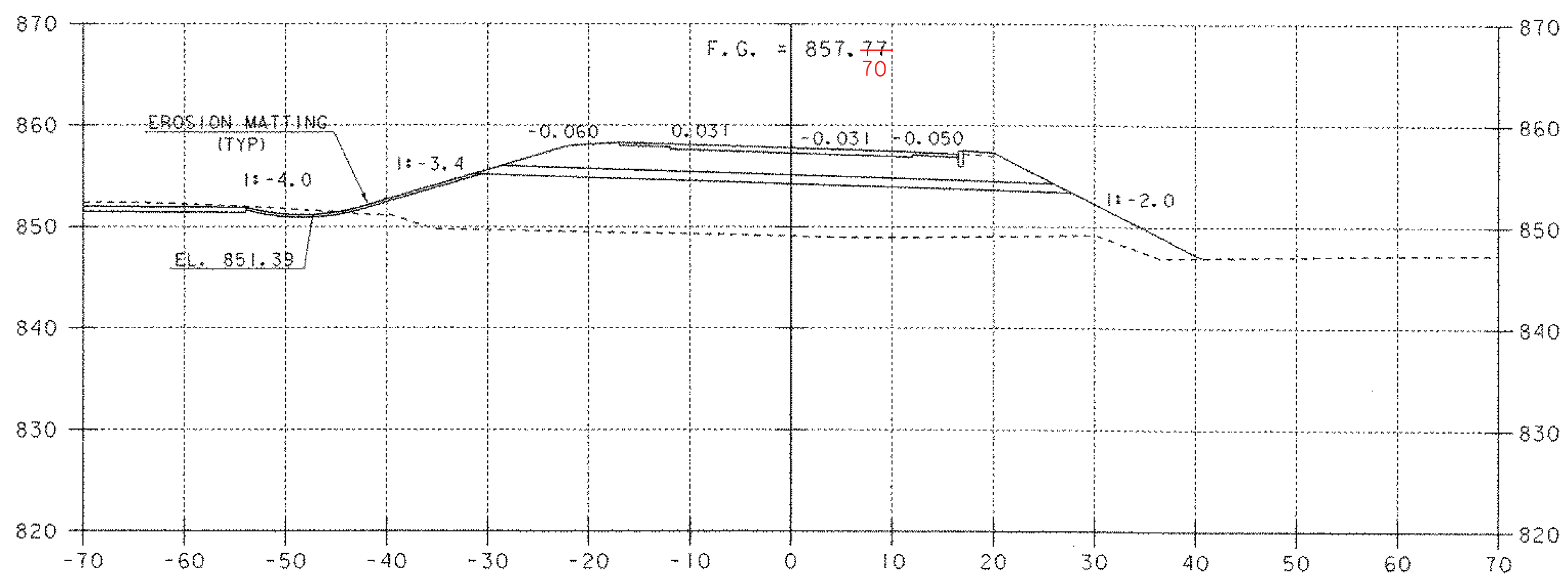


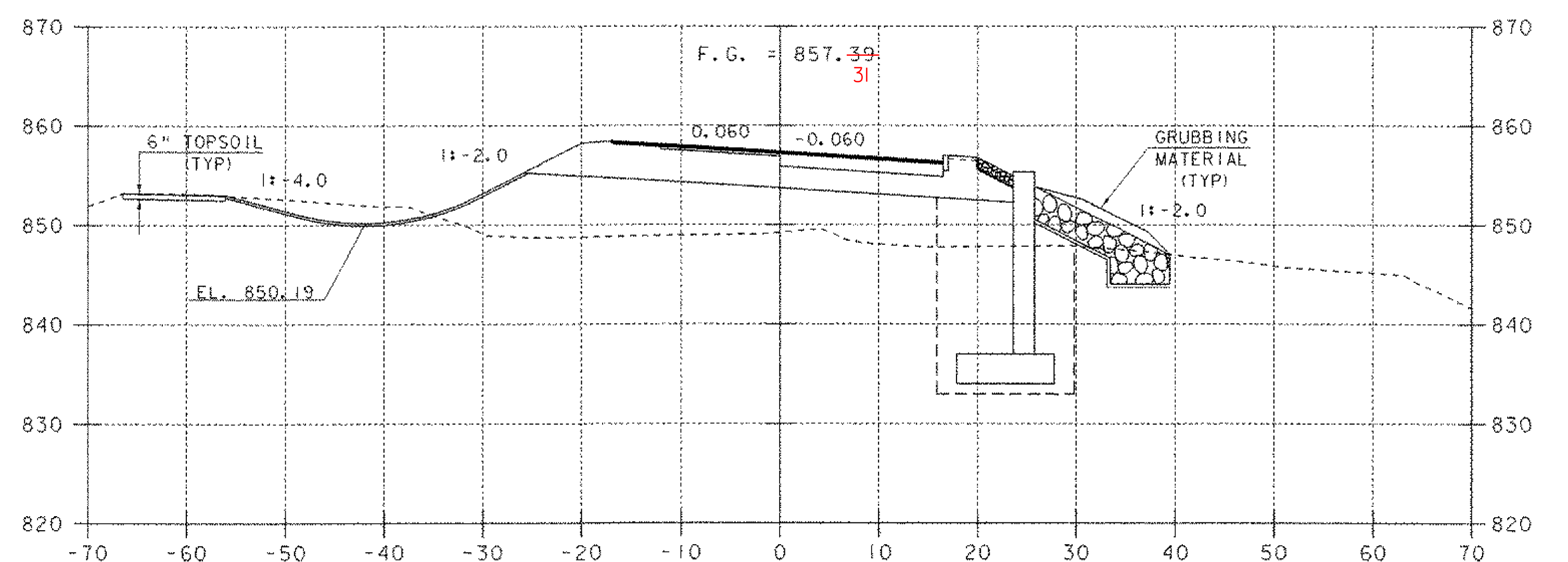
13+25



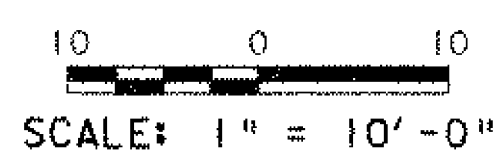
13+68.64
BEGIN BRIDGE



13+00



13+50



SHEET NAME: MAINLINE CROSS SECTIONS		
PROJECT NAME: READING	HIGHWAY NO.: VT 44	
PROJECT NUMBER: BRS 0148(6)S	BRIDGE NO.: 1	OVER: THE MILL BROOK
FILE NAME: PW/85e034/Structures/se034xsl.dgn	PLOT DATE: 17-FEB-2006	
PROJECT MANAGER: R. WHITCOMB	DRAWN BY: J. GILMORE	
DESIGNED BY: C. CARLSON	IPARM NAME: se034mx4.1	
BRIDGE SHEET NUMBER:	SHEET 66 OF 83	