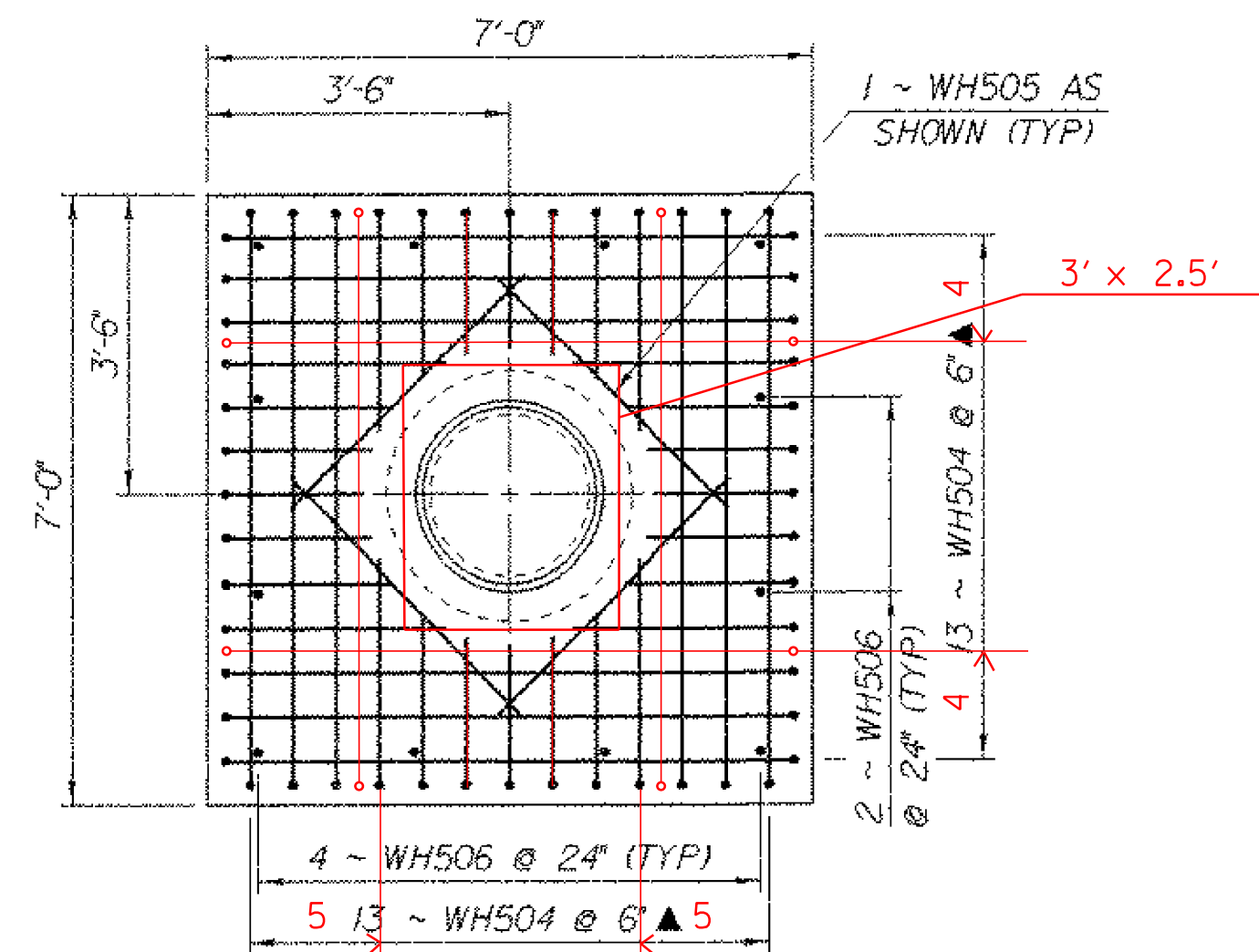


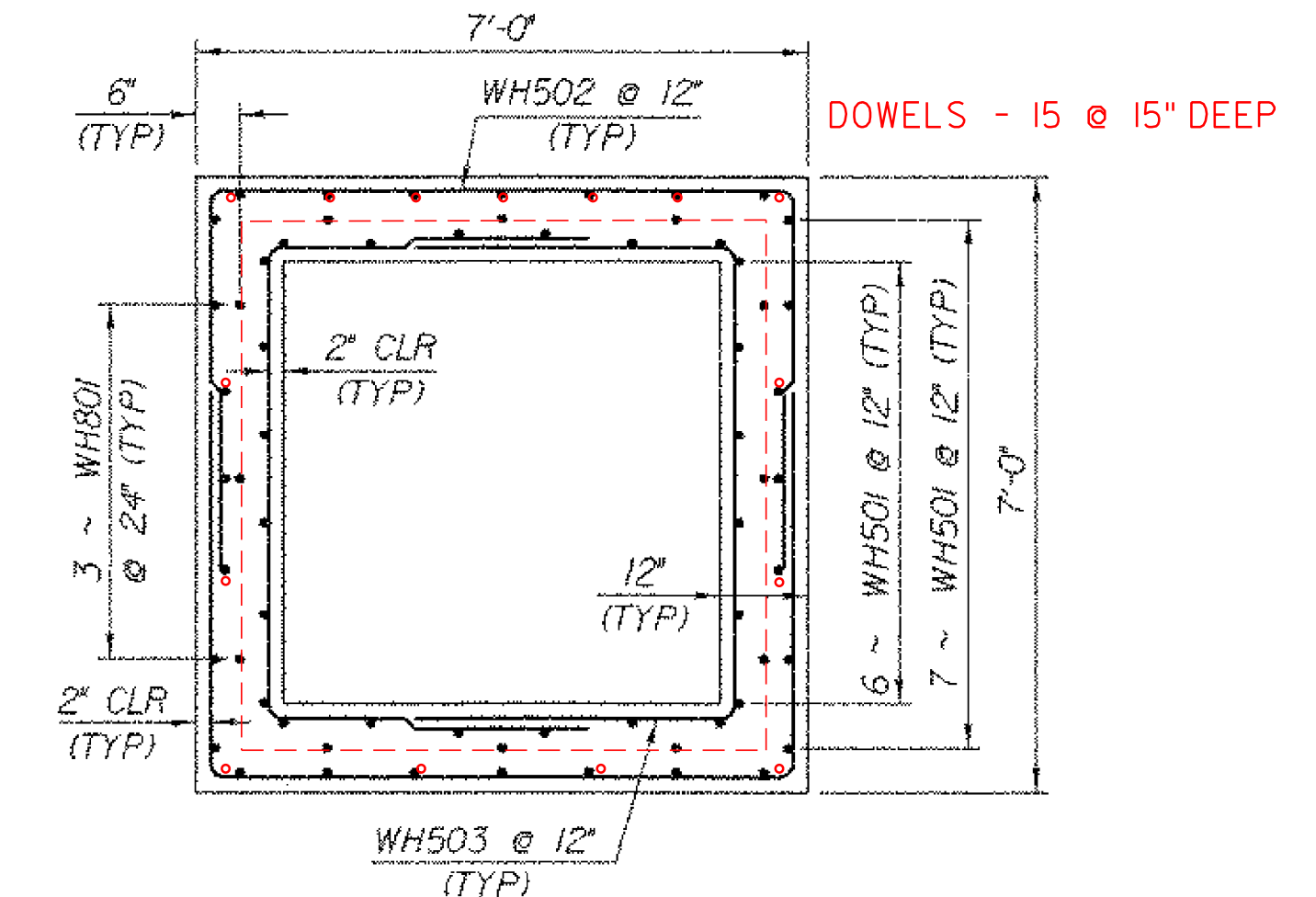
**WELL BARRIER PLAN**

SCALE 1/2" = 1'-0"  
1 0 1 2



**WELL HEAD CAP PLAN**

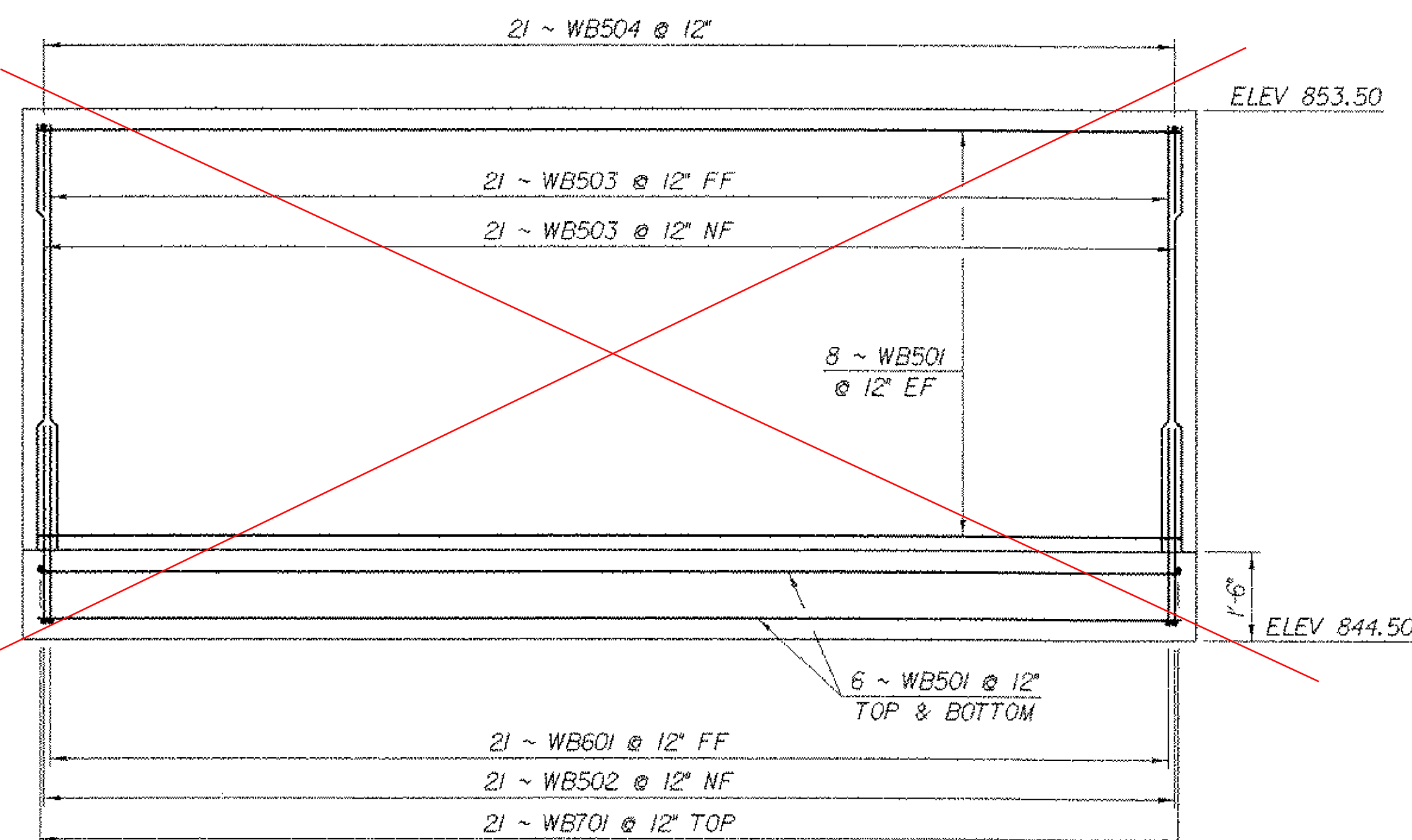
SCALE 1/2" = 1'-0"  
1 0 1 2



**WELL HEAD BOX PLAN**

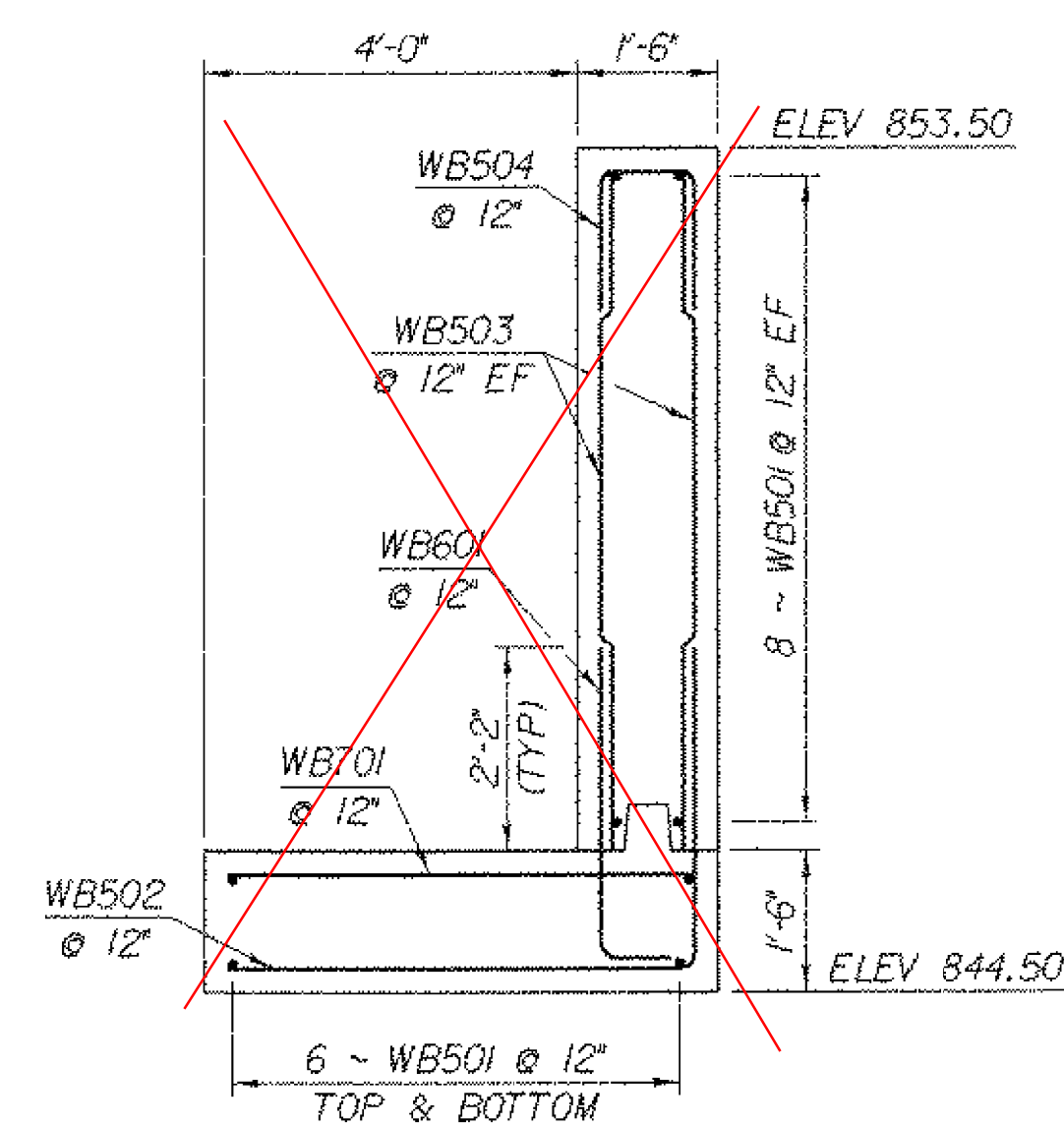
SCALE 1/2" = 1'-0"  
1 0 1 2

WALL NOT CONSTRUCTED



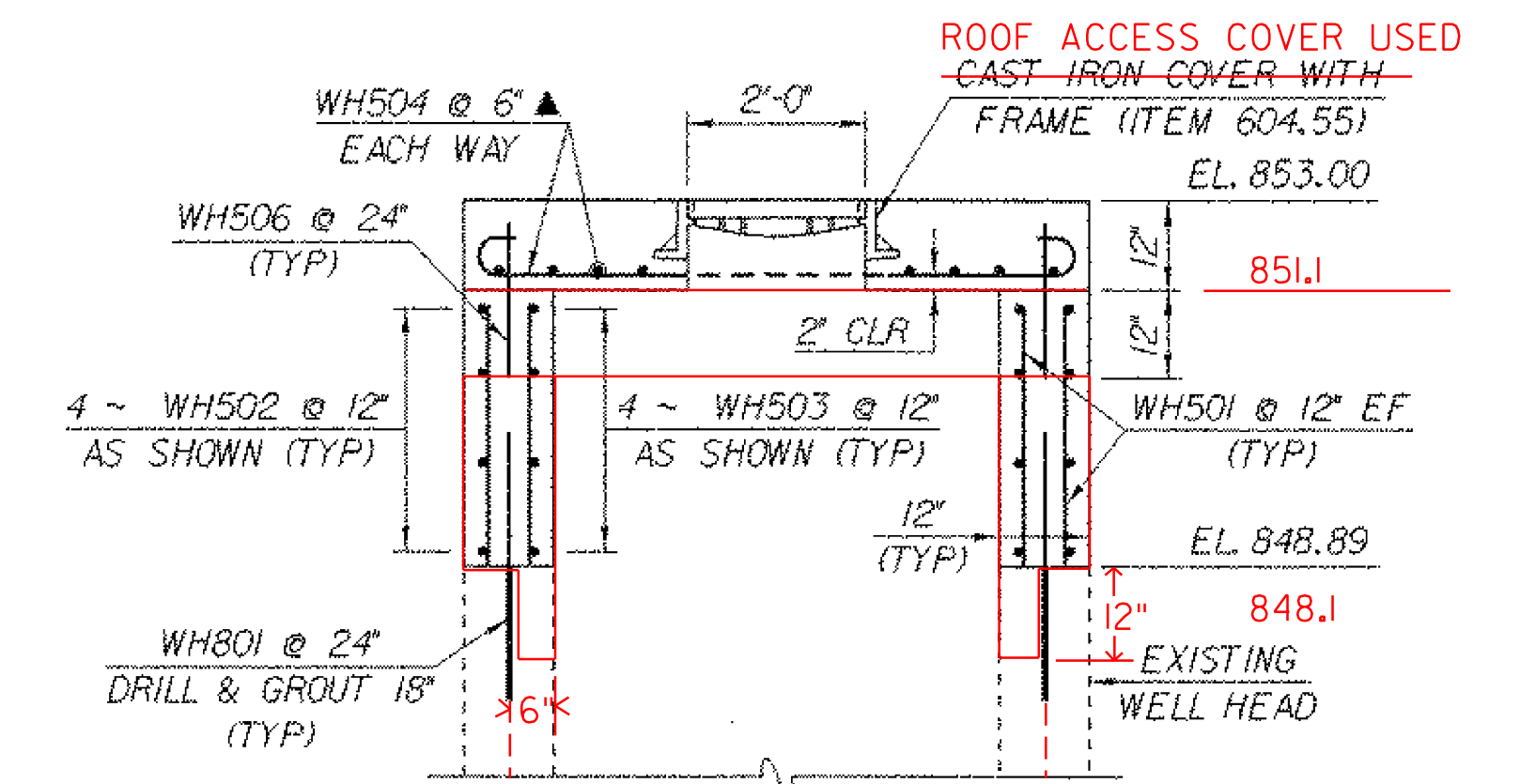
**WELL BARRIER ELEVATION**

SCALE 1/2" = 1'-0"  
1 0 1 2



**WELL BARRIER TYPICAL SECTION**

SCALE 1/2" = 1'-0"  
1 0 1 2



**WELL HEAD BOX SECTION**

SCALE 1/2" = 1'-0"  
1 0 1 2

**NOTES:**

1. NF = NEAR FACE
2. FF = FAR FACE
3. EF = EACH FACE
4. ▲ = CUT TO FIT IN FIELD
5. 3" CLR, UNLESS OTHERWISE SPECIFIED ON THE PLANS.
6. SEE SHEET 60A FOR EARTHWORK TYPICAL AND PLAN VIEW OF WELL HEAD.
7. ALL CONCRETE SHALL BE HIGH PERFORMANCE CLASS B.

SHEET NAME: WELL BARRIER & WELL HEAD DETAILS		
PROJECT NAME: READING	HIGHWAY NO.: VT 44	BRIDGE NO.: 1
PROJECT NUMBER: BRS 0148(6)S	OVER: THE MILL BROOK	
FILE NAME: PW/85e034/Structures/se034sub.dgn	PLOT DATE: 17-FEB-2006	DRAWN BY: G.ROY
PROJECT MANAGER: R. WHITCOMB	IFARM NAME: se034wbd.1	
DESIGNED BY: C. CARLSON	SHEET 59 OF 83	
BRIDGE SHEET NUMBER:		