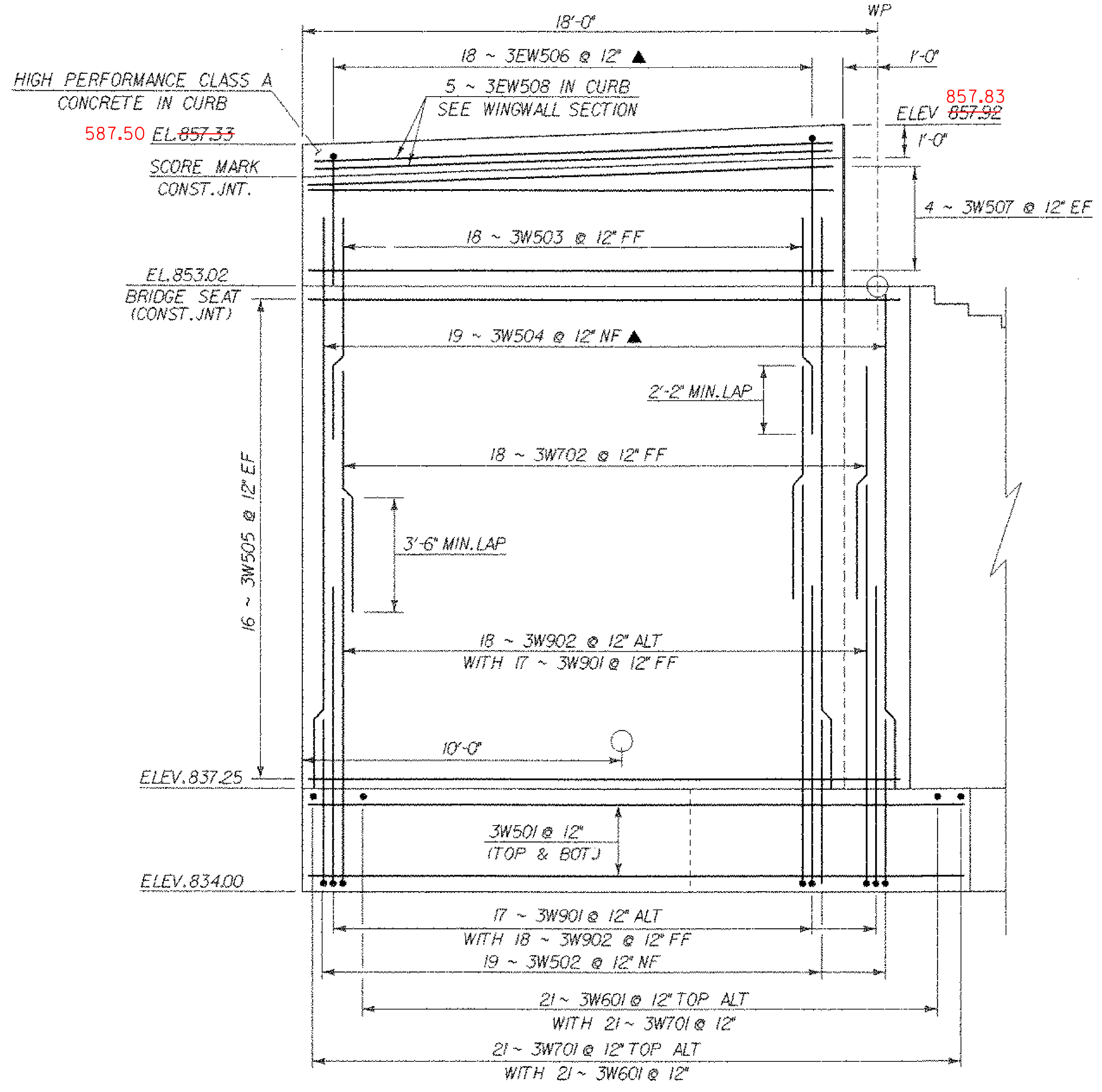
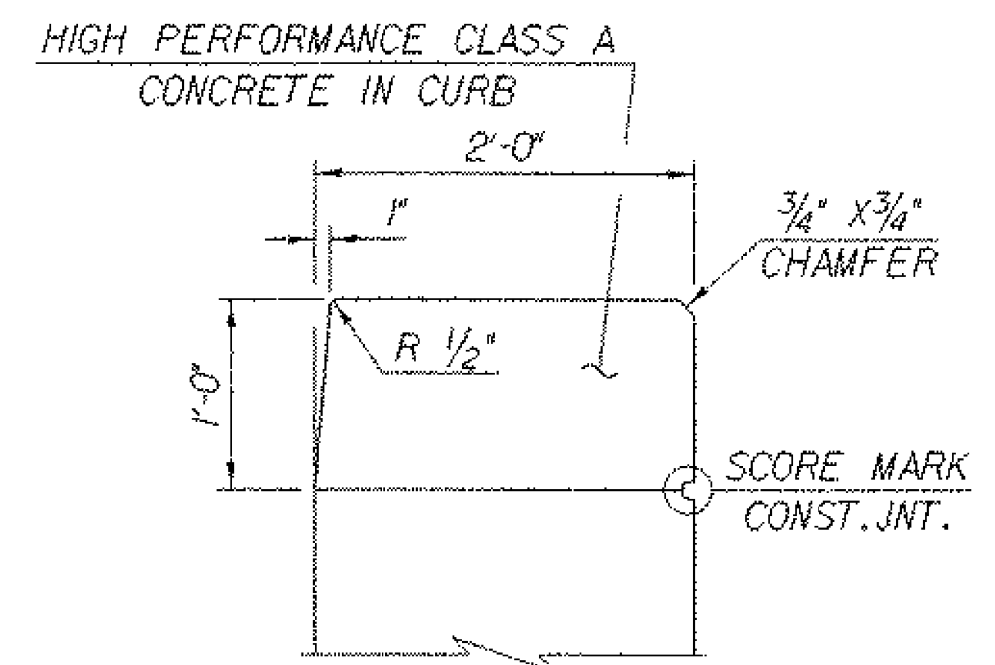


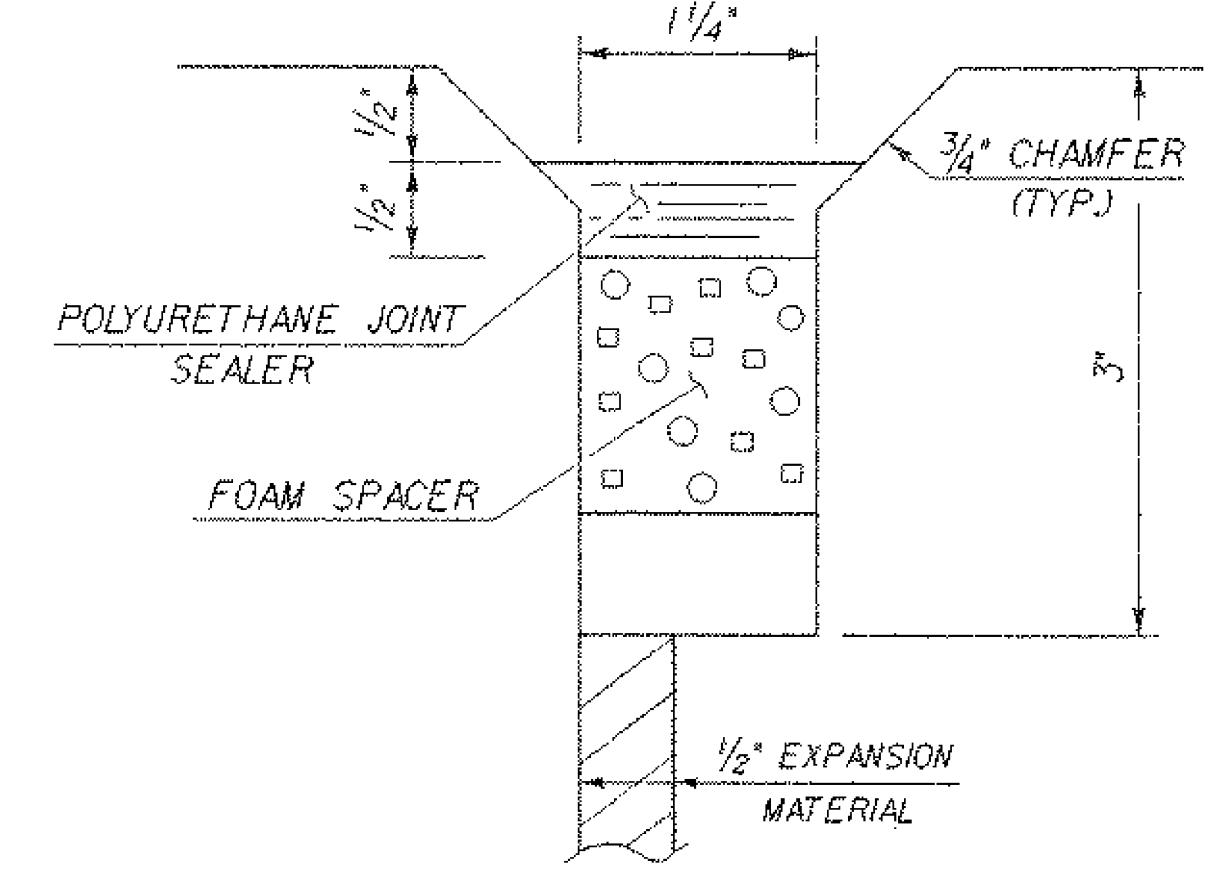
WINGWALL #3 SECTION
SCALE 3/8" = 1'-0"
0 1 2 3 4



WINGWALL #3 ELEVATION
SCALE 3/8" = 1'-0"
0 1 2 3 4



DETAIL "B"
SCALE 1" = 1'-0"
0 1 2

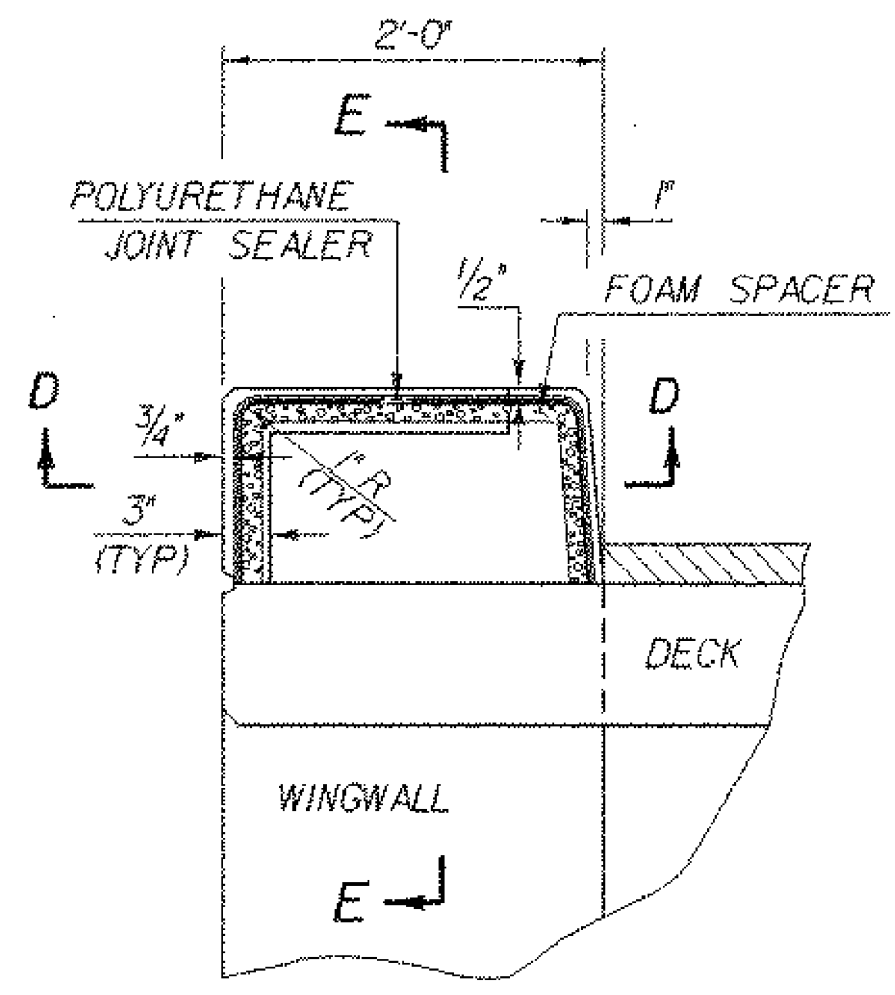


DETAIL "A"

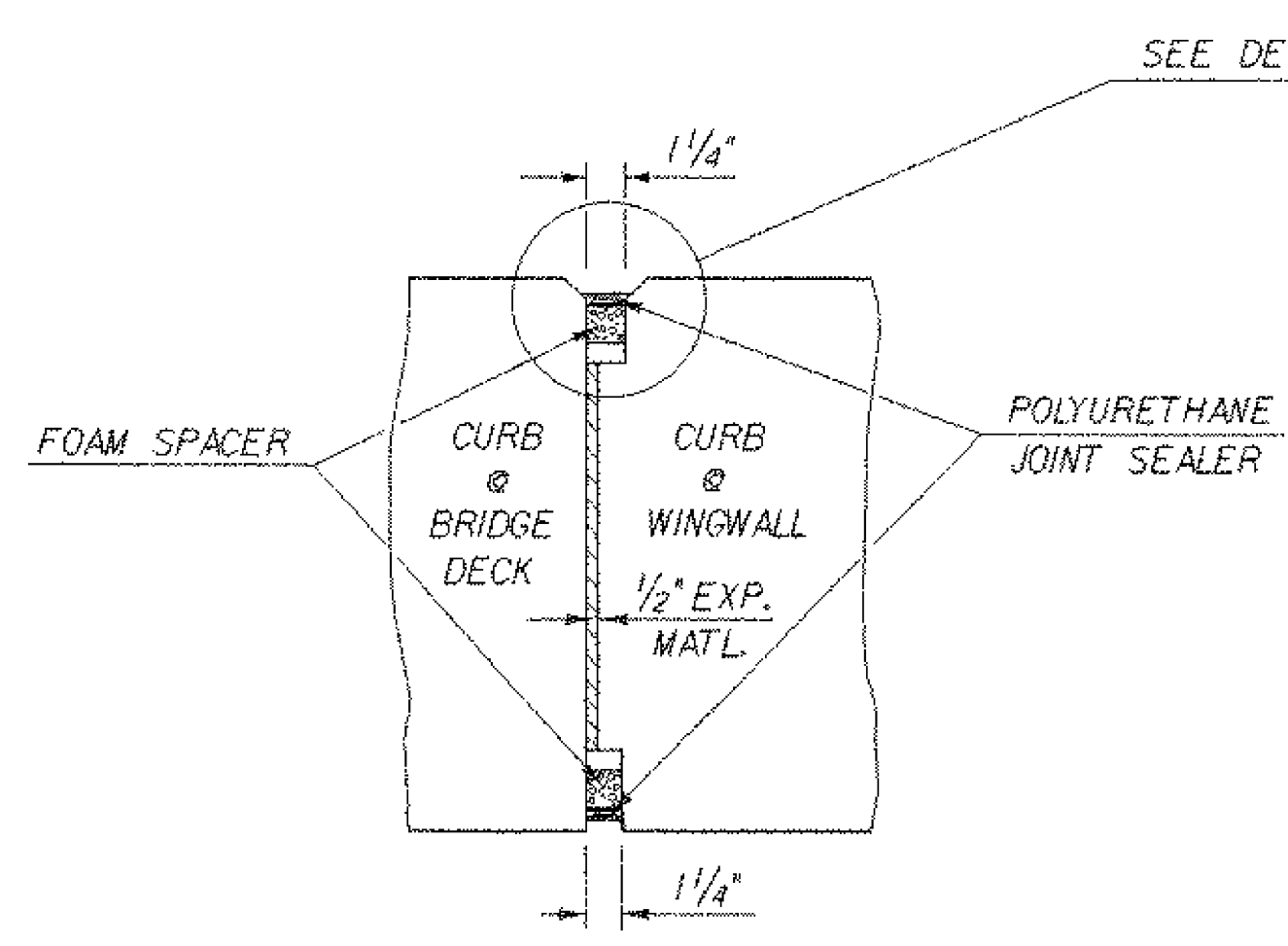
SEE SUBSECTION 524.06 FOR SPECIFICATIONS OF POLYURETHANE JOINT SEALER AND FOAM SPACER.

NOTES:

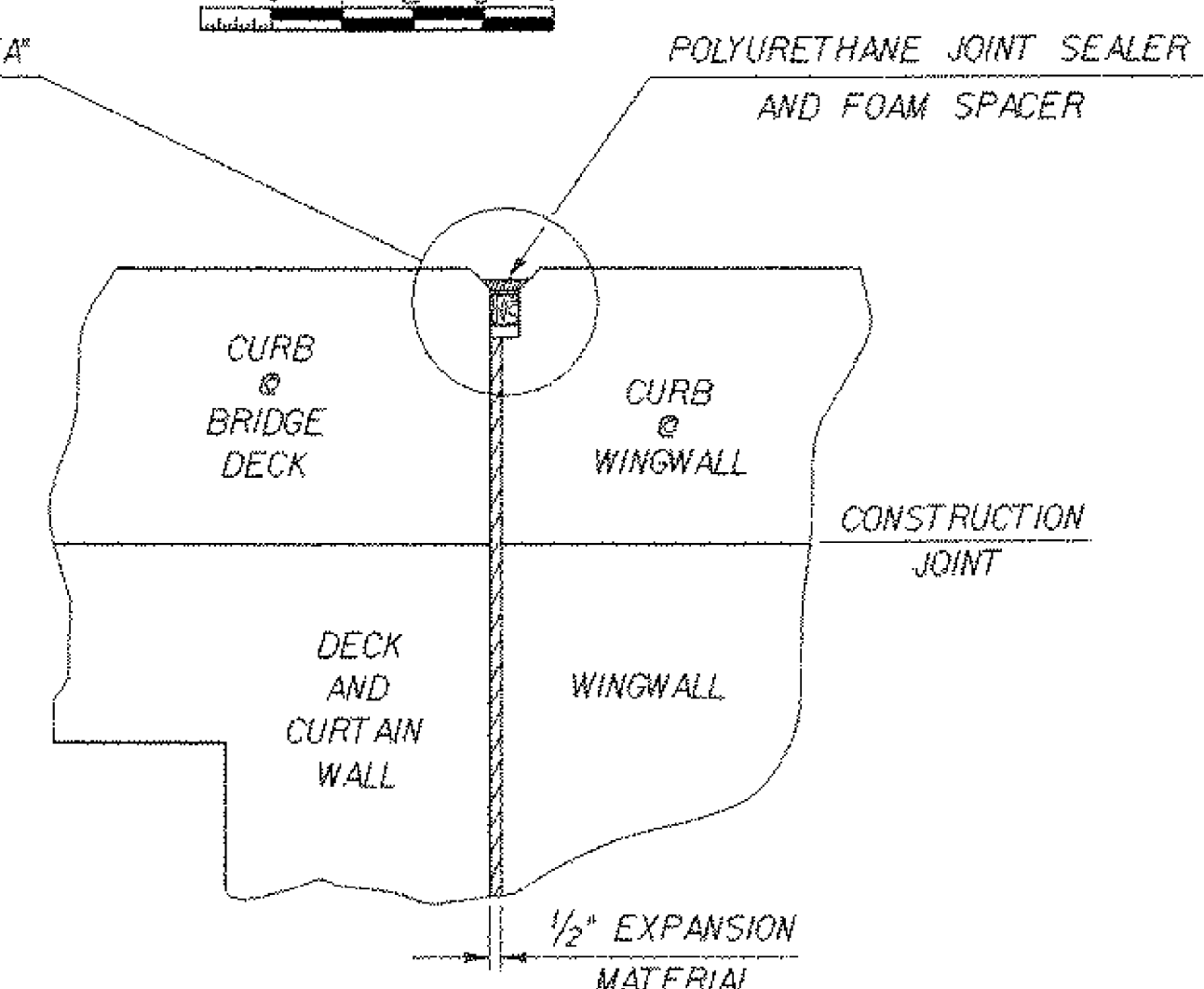
1. NF = NEAR FACE
2. FF = FAR FACE
3. EF = EACH FACE
4. ▲ = CUT TO FIT IN FIELD
5. 3" CLR. UNLESS OTHERWISE SPECIFIED ON THE PLANS.
6. LAP SPLICES ARE 2'-2" UNLESS OTHERWISE NOTED.
7. SEE SHT. 56 FOR SCORE MARK DETAILS



TYPICAL SECTION THROUGH CURB JOINT AT FIXED END OF BRIDGE BETWEEN END OF BRIDGE AND WINGWALL #3



SECTION D - D



SECTION E - E

SHEET NAME: WINGWALL #3 DETAILS		
PROJECT NAME: READING	HIGHWAY NO.: VT 44	BRIDGE NO.: 1
PROJECT NUMBER: BRS 0148(6)S	OVER: THE MILL BROOK	
FILE NAME: PW/85e034/Structures/se034sub.dgn	PLOT DATE: 17-FEB-2006	
PROJECT MANAGER: R. WHITCOMB	DRAWN BY: T. FILLBACH	
DESIGNED BY: C. CARLSON	IPARM NAME: se034ww2.1	
BRIDGE SHEET NUMBER:	SHEET 57 OF 83	